

DIVERTEK

SUBMERSIBLE MULTI-IMPELLER PUMPS





TECHNICAL DATA

Flow rate: from 1 m³/h to 6 m³/h

Head up to: 45 m (900 version)

30 m (650 version)

25 m (500 version)

Maximum immersion depth: 12 m

Type of pumped liquid: clean, free from solid or abrasive substances, non-viscous, non-aggressive, non-crystallized and chemically neutral

Liquid temperature range: from 0°C to +40°C

Maximum operation depth: 15

Flanges, thread: 1" (supplied as standard with a four-section fitting-reducer)

Pump maximum diameter: 160 mm

Impeller/s material: technopolymer

Maximum number of starts: 20/h

Protection class: IP 68

Motor insulation class: F

Single phase power input: 230 V 50 Hz

Power cable (m) and plug: 15 m H07RNF with power plug

Possible type of installation: fixed or movable in vertical position

Special versions on request: cable of different lengths, different type of power plug

Submersible multi-impeller pump for clean water, designed for pressurization, rainwater reuse, gardening and irrigation in residential building service. Multi-impeller pump with built-in non-return valve and debris filter. There are versions with 2 or 3 impellers, automatic or manual. The pump has been renewed to further increase its reliability and ergonomics in transport (the handle has been entirely redesigned). Quick access to the capacitor compartment. A four-section fitting-reducer is supplied as standard.

CONSTRUCTION FEATURES OF THE PUMP

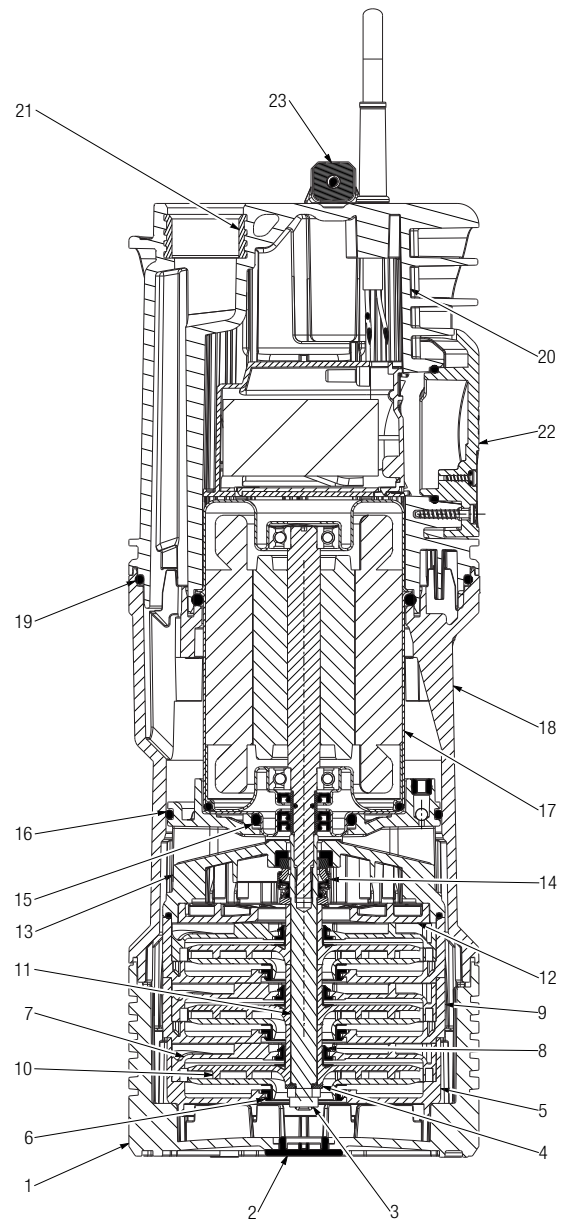
Pump body and impellers in technopolymer to resist corrosion and oxidation. Technopolymer anti-debris filter. Automatic version equipped with float switch for protection against dry running. Removable non-return valve.

CONSTRUCTION FEATURES OF THE MOTOR

Submersible asynchronous motor. Motor shaft in stainless steel AISI 416 + AISI 304. Integrated starting capacitor and integrated thermal protection against overheating of the motor. 15 meter power cable with plug included.

MATERIALS

N°	PARTS	MATERIALS
1	BASE	TECHNOPOLYMER
2	INSPECTION CAP	EPDM
3	NUT	SS A2
4	WASHER	SS A2
5	FIRST STAGE CASE	TECHNOPOLYMER
6	FRONT FLOATING RING	TECHNOPOLYMER
7	DIFFUSER	TECHNOPOLYMER
8	BACK FLOATING RING	TECHNOPOLYMER
9	STAGE CASE	TECHNOPOLYMER
10	IMPELLER	TECHNOPOLYMER/SS AISI 304
11	SHAFT	SS AISI 303
12	FINAL DIFFUSER CAP	TECHNOPOLYMER
13	MOTOR FLANGE	TECHNOPOLYMER
14	MECHANICAL SEAL	CARBON-IMPREGNATED RESIN/ CERAMIC/NBR
15	OR GASKET	EPDM
16	OR GASKET	EPDM
17	MOTOR	CAP SS AISI 304
		MOTOR SHAFT SS AISI 416
18	BODY	TECHNOPOLYMER
19	OR GASKET	EPDM
20	COVER	TECHNOPOLYMER
21	INSERT	BRASS
22	CAPACITOR COMPARTMENT COVER	TECHNOPOLYMER
23	HANDLE	TECHNOPOLYMER

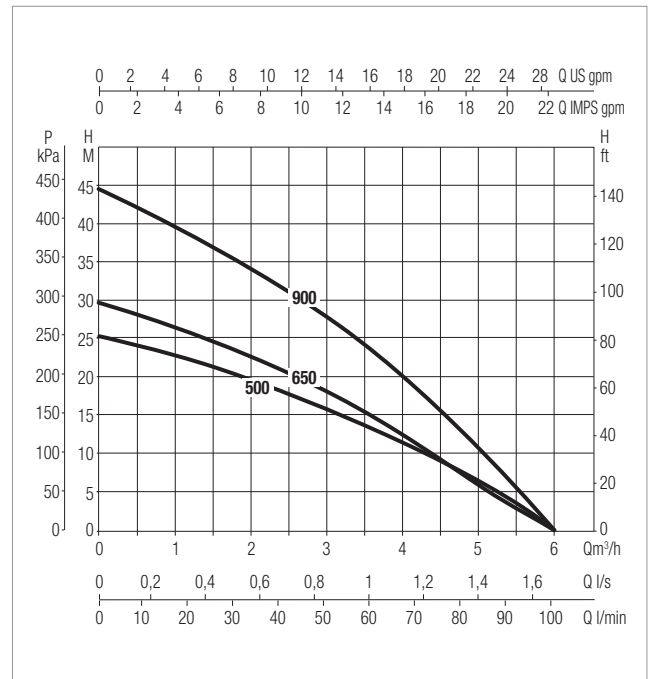
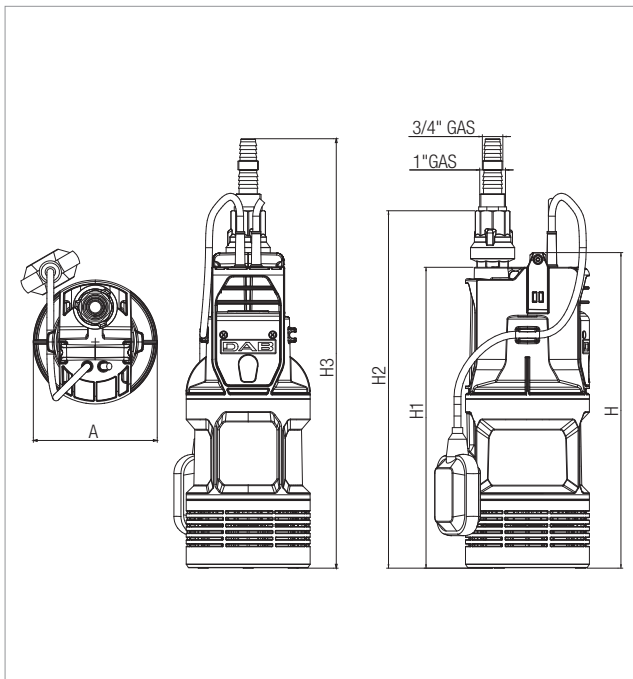


PERFORMANCE AT 50 HZ

MODEL	HYDRAULIC DATA									
	Q=m³/h	0	1,2	1,8	2,4	3	3,6	4,2	4,8	
	Q=l/min	0	20	30	40	50	60	70	80	
DIVERTEK 900	H (m)	44,5	40,9	37,8	34,1	30,2	25,3	19,8	13,6	
DIVERTEK 650		29,6	26,8	24,7	22,2	19,8	16,4	12,5	8,2	
DIVERTEK 500		25,2	23,2	22	19,8	17,3	14,4	11,4	7,9	

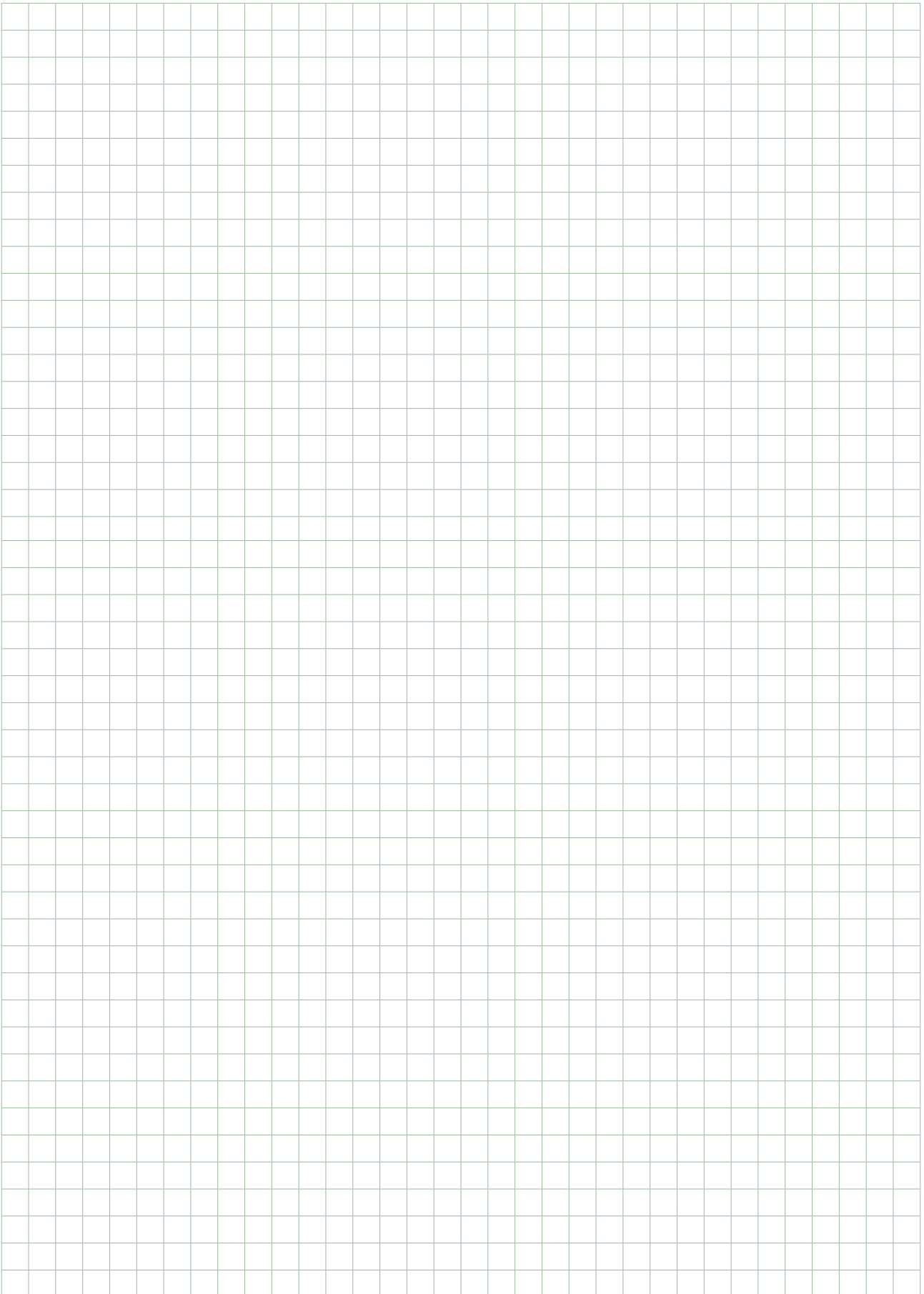
ELECTRICAL DATA AND DIMENSIONS

MODEL	ELECTRICAL DATA							DIMENSIONS							PACKING VOLUME dm ³	Q.TY X PALLET	WEIGHT Kg	
	POWER INPUT 50 Hz	P1 W	P2 NOMINAL		In A	CAPACITOR		A	H	H1	H2	H3	PACKING DIMENSIONS					
			kW	HP		μF	V						L/A	L/B				H
DIVERTEK 900	1 x 220-240 V ~	920	0,56	0,75	4,2	12,5	450	Ø 160	455	436	509	602	226	186	484	20,3	40	10,6
DIVERTEK 650	1 x 220-240 V ~	630	0,42	0,56	2,9	8	450	Ø 160	408	389	462	555	226	186	484	20,3	40	9,1
DIVERTEK 500	1 x 220-240 V ~	530	0,34	0,46	2,5	8	450	Ø 160	408	389	462	555	226	186	484	20,3	40	9,1



The performance curves are based on kinematic viscosity values = 1 mm²/s and density equivalent to 1000 kg/m³. Curve tolerance according to ISO 9906.

NOTE



DAB

PUMPS SELECTOR

On-line selection tool



 **DAB PUMPS LTD.**
6 Gilbert Court
Newcomen Way
Severalls Business Park
Colchester
Essex
CO4 9WN - UK
salesuk@dwtgroup.com
Tel. +44 0333 777 5010

 **DAB PUMPS IBERICA S.L.**
Calle Verano 18-20-22
28850 - Torrejón de Ardoz - Madrid
Spain
Info.spain@dwtgroup.com
Tel. +34 91 6569545
Fax: + 34 91 6569676

 **DAB PUMPS (QINGDAO) CO. LTD.**
No.40 Kaituo Road, Qingdao Economic
& Technological
Development Zone
Qingdao City, Shandong Province - China
PC: 266500
sales.cn@dwtgroup.com
Tel. +86 400 186 8280
Fax +86 53286812210

 **DAB PUMPS BV**
'tHofveld 6 C1
1702 Groot Bijgaarden - Belgium
info.belgium@dwtgroup.com
Tel. +32 2 4668353

 **DAB PUMPS HUNGARY KFT.**
H-8800
Nagykanizsa, Buda Ernő u.5
Hungary
Tel. +36 93501700

 **DAB PUMPS DE MÉXICO, S.A. DE C.V.**
Av Amsterdam 101 Local 4
Col. Hipódromo Condesa,
Del. Cuauhtémoc CP 06170
Ciudad de México
Tel. +52 55 6719 0493

 **DAB PUMPS B.V.**
Albert Einsteinweg, 4
5151 DL Drunen - Nederland
info.netherlands@dwtgroup.com
Tel. +31 416 387280
Fax +31 416 387299

 **DAB PUMPS POLAND Sp. z o.o.**
Ul. Janka Muzykanta 60
02188 Warszawa - Poland
polska@dabpumps.com.pl

 **DAB PUMPS OCEANIA PTY LTD**
426 South Gippsland Highway,
Dandenong South VIC 3175 - Australia
info.oceania@dwtgroup.com
Tel. +61 1300 378 677

 **DAB PUMPS GMBH**
Am Nordpark 3
D - 41069 Mönchengladbach - Germany
info.germany@dwtgroup.com
Tel. +49 2161 47388-0
Fax +49 2161 47388-36

 **DAB PUMPS INC.**
3226 Benchmark Drive
Ladson, SC 29456 - USA
info.usa@dwtgroup.com
Tel. 1- 843-797-5002
Fax 1-843-797-3366

 **PT DAB PUMPS INDONESIA**
Satrio Tower lantai 26
unit C-D, Jl. Prof. Dr. Satrio Kav. C4,
Kel. Kuningan Timur, Kec. Setiabudi, Kota Adm.
Jakarta Selatan, Prov. DKI Jakarta. - Indonesia
Tel. +62 2129222850

 **DAB PUMPS SOUTH AFRICA (PTY) LTD**
Twenty One industrial Estate,
16 Purlin Street, Unit B, Warehouse 4
Olifantsfontein -1667 - South Africa
info.sa@dwtgroup.com
Tel. +27 12 361 3997