



### Construction

Close-coupled peripheral pump (regenerative pump) with turbine impeller.  
 Compact, patented construction with single-piece motor casing and pump-side wall.  
 Protected against water entering the motor from outside.

### Applications

For clean liquids without abrasives, without suspended solids, non-explosive, non-aggressive for the pump materials.  
 For increasing network pressure (follow local specifications).  
 For the reduced dimensions, these pumps are very well suitable to be mounted in cooling and air-conditioning machines and equipments, circulation.

### Operating conditions

Liquid temperature up to 60 °C.  
 Ambient temperature up to 40 °C.  
 Total suction lift up to 7 m.  
 Continuous duty.

### Motor

2-pole induction motor, 50 Hz ( $n \approx 2900$  rpm).

**CT 60:** three-phase 230/400 V  $\pm 10\%$ .

**CTM 60:** single-phase 230 V  $\pm 10\%$ , with thermal protector. Capacitor inside the terminal box.

Insulation class F.

Protection IP 54.

Constructed in accordance with: EN 60034-1; EN 60335-1, EN 60335-2-41.

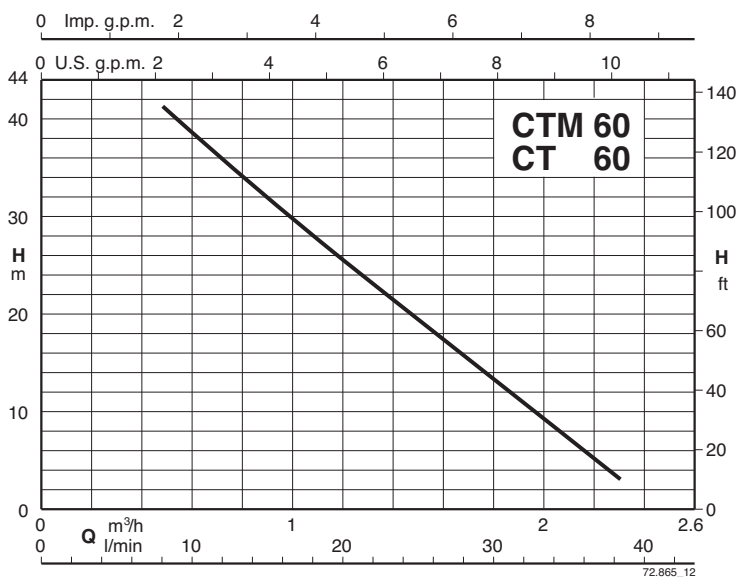
### Materials

| Components              | Materials                               |
|-------------------------|---|
| Pump casing             | Cast iron GJL 200 EN 1561               |
| Casing cover motor side | Brass P- Cu Zn Pb 2 UNI 5705            |
| Impeller                | Brass P- Cu Zn Pb 2 UNI 5705            |
| Shaft                   | Chrome steel 1.4104 EN 10088 (AISI 430) |
| Mechanical seal         | Carbon - Ceramic - NBR                  |

### Special features on request

- Other voltages.
- Frequency 60 Hz (as per 60 Hz data sheet).
- Special mechanical seal.

### Coverage chart $n \approx 2900$ rpm



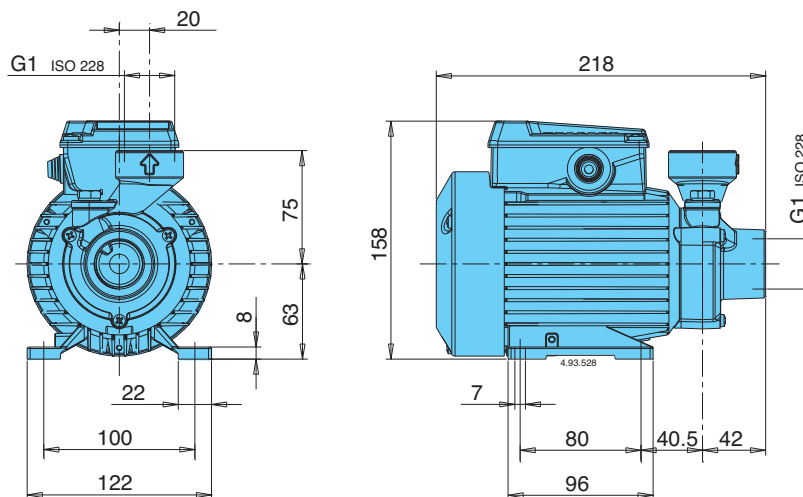
### Performance $n \approx 2900$ rpm

| 3~           | 230V 400V |     | 1~            | 230V |      | P <sub>2</sub> |                   | Q     |      |      |      |      |     |      |      |    |
|--------------|-----------|-----|---------------|------|------|----------------|-------------------|-------|------|------|------|------|-----|------|------|----|
|              | A         | A   |               | A    | kW   | HP             | m <sup>3</sup> /h | 0,48  | 0,6  | 0,75 | 0,96 | 1,2  | 1,5 | 1,89 | 2,3  |    |
|              |           |     |               |      |      |                |                   | l/min | 8    | 10   | 12,5 | 16   | 20  | 25   | 31,5 | 38 |
| <b>CT 60</b> | 1,9       | 1,1 | <b>CTM 60</b> | 2,5  | 0,33 | 0,45           | <b>H m</b>        | 41    | 38,5 | 35,5 | 31   | 25,5 | 19  | 11   | 3    |    |

H Total head in m.

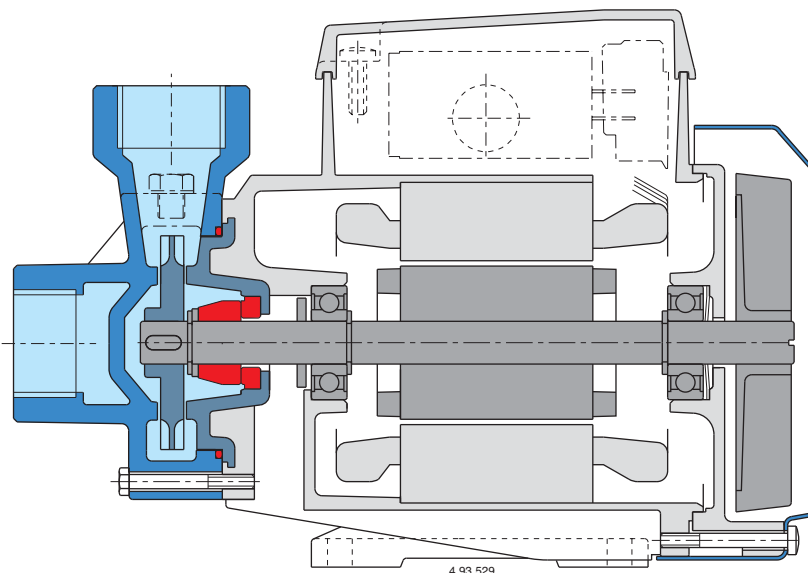
P<sub>2</sub> Rated motor power output.

### Dimensions and weights



CT 60 4,9 kg  
CTM 60 5 kg

### Features



Patented



### Construction

Close-coupled peripheral pump (regenerative pump) with turbine impeller. Compact, patented construction with single-piece motor casing and pump-side wall. Protected against water entering the motor from outside.

CT: version with pump casing in cast iron.  
 B-CT: version with pump casing in bronze  
 (the pumps are supplied fully painted).

### Applications

For clean liquids without abrasives, without suspended solids, non-explosive, non-aggressive for the pump materials. For increasing network pressure (follow local specifications). For the reduced dimensions, these pumps are very well suitable to be mounted in cooling and air-conditioning machines and equipments, circulation.

### Operating conditions

Liquid temperature up to 60 °C.  
 Ambient temperature up to 40 °C.  
 Total suction lift up to 7 m.  
 Continuous duty.

### Motor

2-pole induction motor, 50 Hz ( $n \approx 2900$  rpm).

**CT 61:** three-phase 230/400 V  $\pm 10\%$ .

**CTM 61:** single-phase 230 V  $\pm 10\%$ , with thermal protector. Capacitor inside the terminal box.

Insulation class F.

Protection IP 54.

Constructed in accordance with: EN 60034-1; EN 60335-1, EN 60335-2-41.

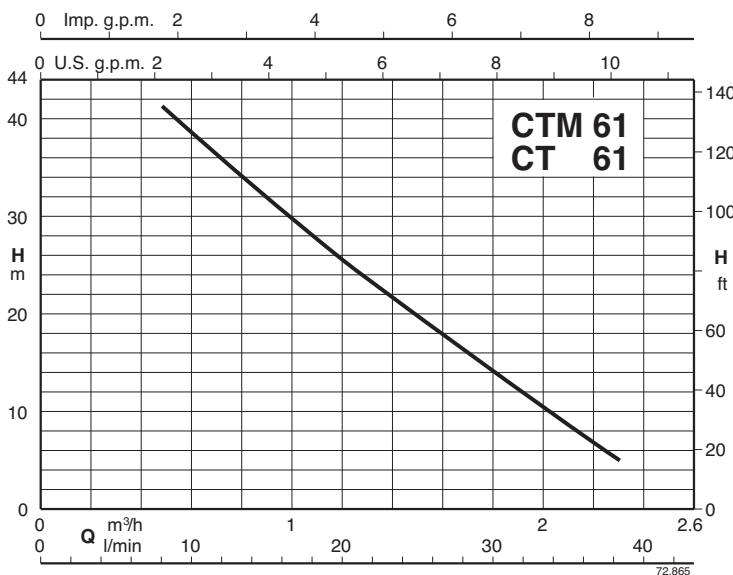
### Special features on request

- Other voltages.
- Frequency 60 Hz (as per 60 Hz data sheet).
- Special mechanical seal.

### Materials

| Components              | CT 61                                   | B-CT 61                      |
|-------------------------|---|------------------------------|
| Pump casing             | Cast iron<br>GJL 200 EN 1561            | Bronze<br>G-Cu Sn 10 EN 1982 |
| Casing cover motor side | Brass P- Cu Zn Pb 2 UNI 5705            |                              |
| Impeller                | Brass P- Cu Zn Pb 2 UNI 5705            |                              |
| Shaft                   | Chrome steel 1.4104 EN 10088 (AISI 430) |                              |
| Mechanical seal         | Carbon - Ceramic - NBR                  |                              |

### Coverage chart $n \approx 2900$ rpm



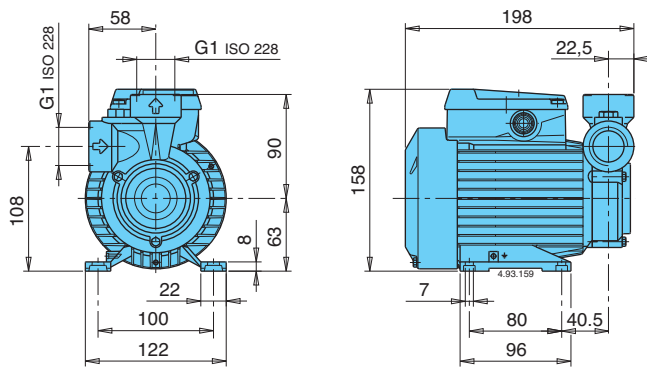
### Performance $n \approx 2900$ rpm

| 3~             | 230V 400V |     | 1~              | 230V |      | P <sub>2</sub> |                   | Q    |      |      |      |      |     |      |     |
|----------------|-----------|-----|-----------------|------|------|----------------|-------------------|------|------|------|------|------|-----|------|-----|
|                | A         | A   |                 | A    | kW   | HP             | m <sup>3</sup> /h | 0,48 | 0,6  | 0,75 | 0,96 | 1,2  | 1,5 | 1,89 | 2,3 |
| <b>CT 61</b>   | 1,9       | 1,1 | <b>CTM 61</b>   | 2,5  | 0,33 | 0,45           | <b>H m</b>        | 41   | 38,5 | 35,5 | 31   | 25,5 | 19  | 11   | 3   |
| <b>B-CT 61</b> |           |     | <b>B-CTM 61</b> |      |      |                |                   |      |      |      |      |      |     |      |     |

H Total head in m.

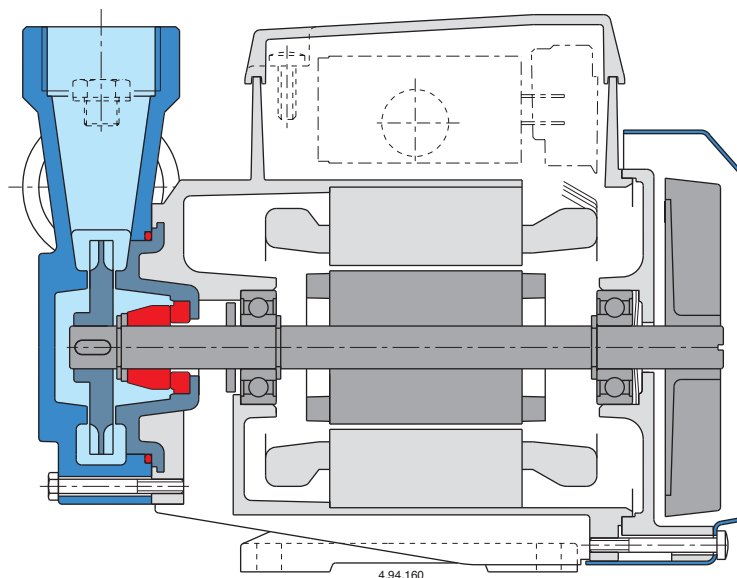
P<sub>2</sub> Rated motor power output.

### Dimensions and weights



|          |        |
|----------|--------|
| CT 61    | 4,9 kg |
| CTM 61   | 5 kg   |
| B-CT 61  | 5,1 kg |
| B-CTM 61 | 5,2 kg |

### Features



4.94.160