



## Data sheet

### Hydraulic data

Maximum operating pressure $P_N$	16 bar
Min. fluid temperature $T_{\min}$	-20 °C
Max. fluid temperature $T_{\max}$	140 °C
Min. ambient temperature $T_{\min}$	-15 °C
Max. ambient temperature $T_{\max}$	40 °C

### Motor data

Mains connection	3~400 V, 50 Hz
Voltage tolerance	±10 %
Rated power $P_2$	4 kW
Motor efficiency class	IE3
Rated current $I_N$	7.59 A
Rated speed $n$	2900 1/min
Power factor $\cos \varphi_{100}$	0.80
Insulation class	F
Protection class motor	IP55

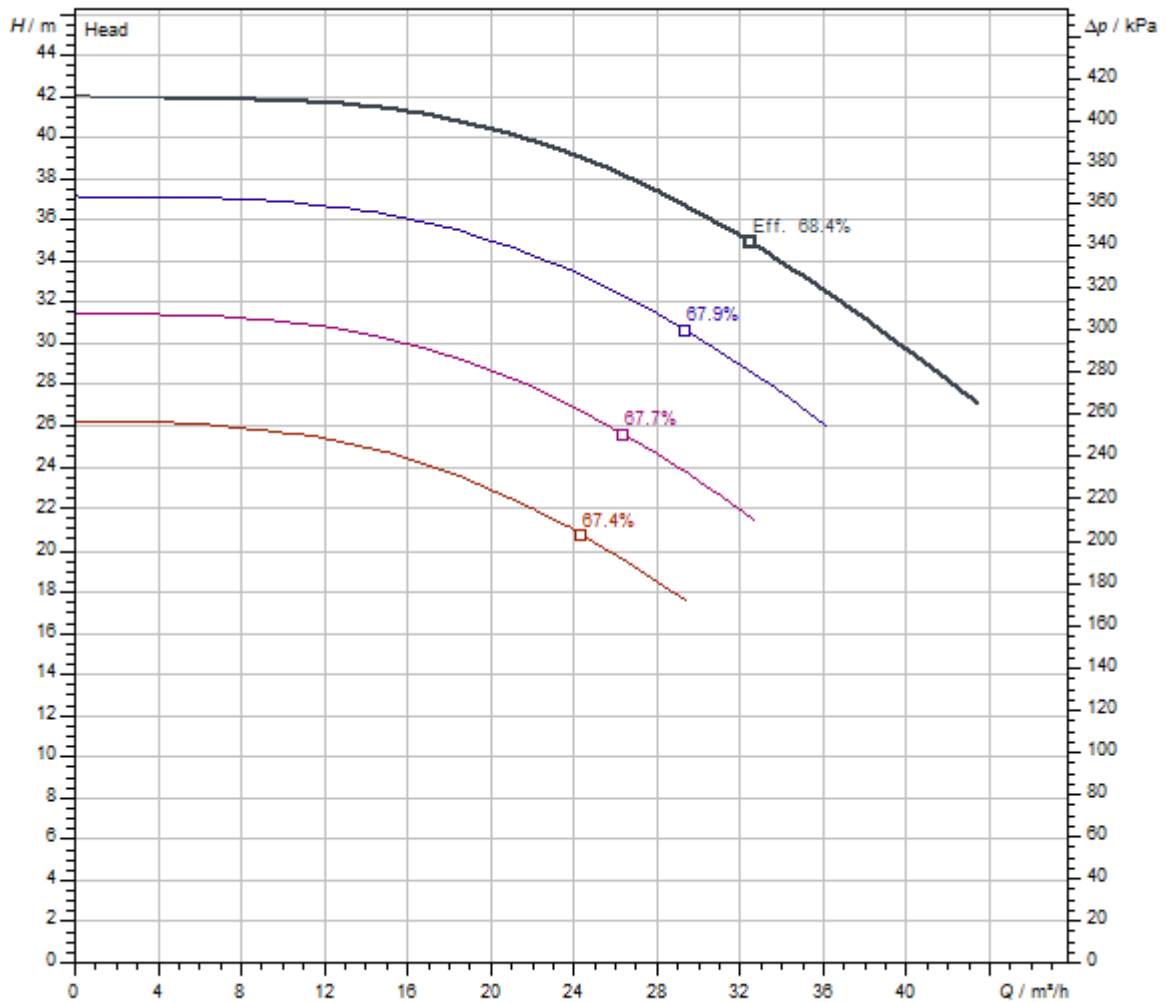
### Installation dimensions

Pipe connection on the suction side $DN_s$	DN 50
Pipe connection on the discharge side $DN_d$	DN 32

### Materials

Pump housing	5.1301/EN-GJL-250 KTL-coated
Impeller	Grey cast iron
Shaft	Stainless steel
Mechanical seal	AQ1EGG
Lantern	Grey cast iron

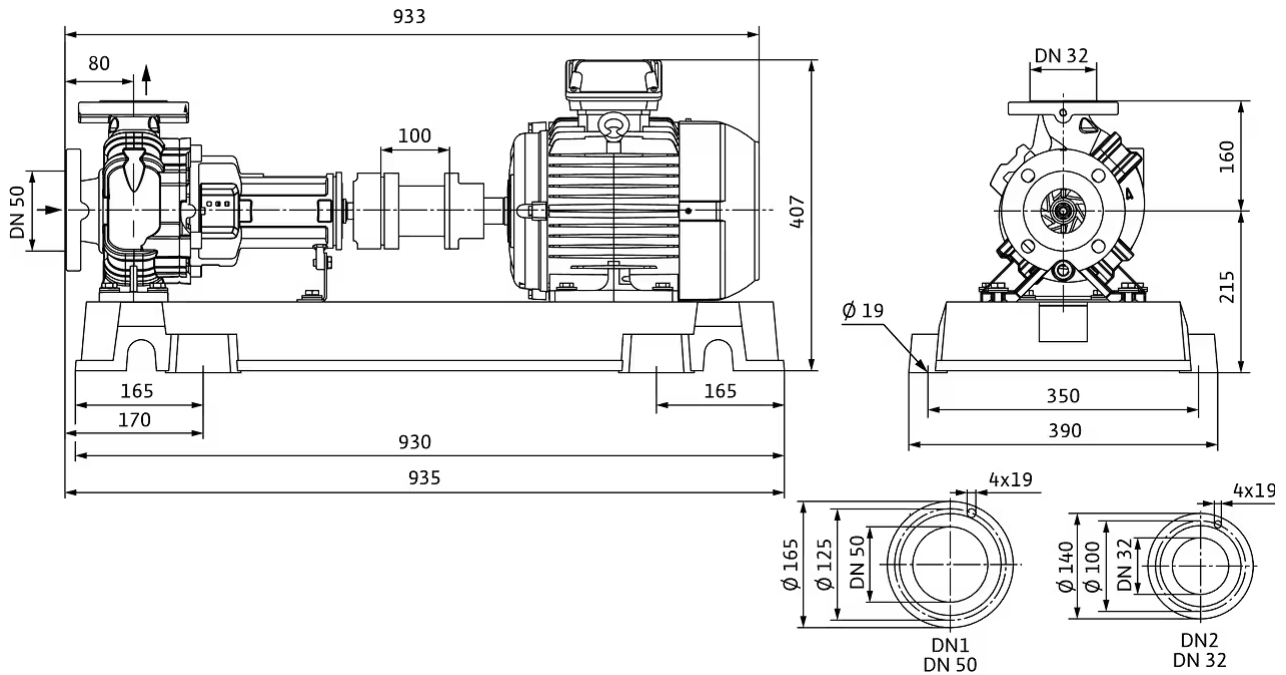
Pump curves



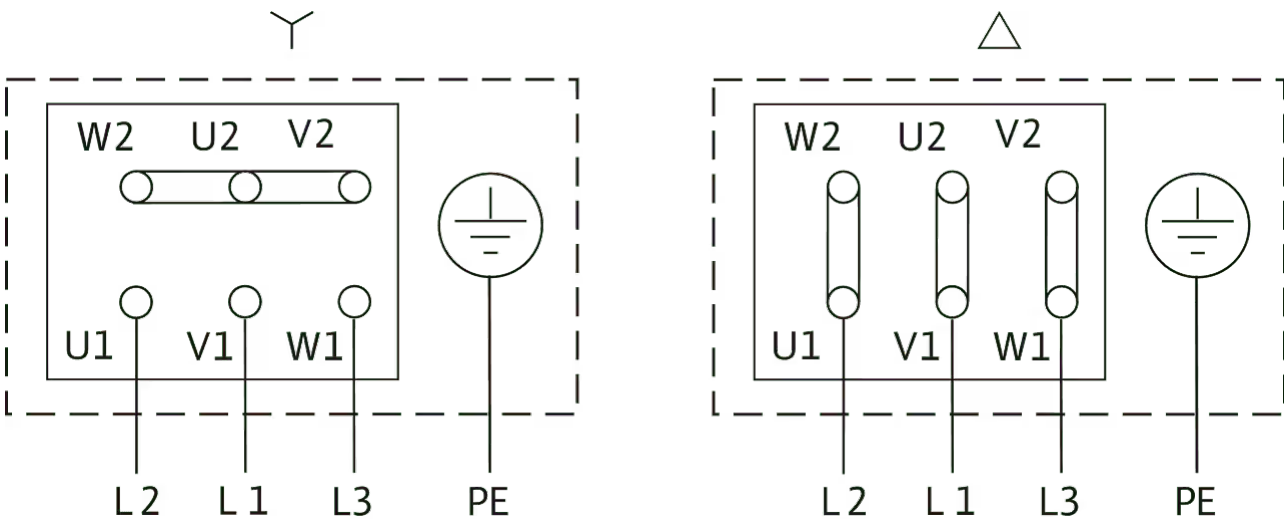
Standard	ISO 9906 3B
Fluid media	Water 100 %
Fluid temperature <i>T</i>	20.00 °C
speed at duty point <i>n hydr. @ OP</i>	2,936 1/min
Impeller diameter <i>d imp.</i>	172 mm

Dimensions and dimensions drawings

Atmos GIGA-N 32/160-4/2



Wiring diagram



$\Delta$ : Connection diagram delta connection

Y: Connection diagram star connection

Motor protection switch required on-site. Check the direction of rotation! To change the direction of rotation, exchange any two phases.

$P_2 \leq 3$  kW 3~400 V Y

3~230 V  $\Delta$

$P_2 \geq 4$  kW 3~690 V Y

3~400 V  $\Delta$

After removing the bridges, Y- $\Delta$  start is possible.

## Tender text

Single-stage centrifugal pump as baseplate pump in accordance with EN 733, with axial suction ports and radial pressure ports for installation on a base. Pump with support foot and flanged bearing bracket, coupling, coupling guard and motor mounted to same baseplate.

IEC motor with 3 PTC thermistor sensors. Shaft sealing with bidirectional bellows mechanical seal. Grey cast iron housing, stainless steel shaft, grey cast iron impeller. Cathaphoretic coating as standard for all cast iron components in contact with fluid.

Coupling variants:

- > Spacer coupling (standard)
- > Elastic coupling (variant P5, at a reduced price)

Impeller variants (for an additional charge):

- > Bronze

> Stainless steel

### NOTICE

The elastic coupling does not contain a spacer.

The spacer coupling is an elastic coupling with a spacer. The spacer reduces maintenance costs, and further motor orientation when changing the mechanical seal is not necessary.

## Materials

Pump housing	5.1301/EN-GJL-250 KTL-coated
Impeller	Grey cast iron
Lantern	Grey cast iron
Shaft	Stainless steel
Shaft seal	AQ1EGG

## Operating Data

Min. fluid temperature $T_{\min}$	-20 °C
Max. fluid temperature $T_{\max}$	140 °C
Maximum operating pressure $p$	16.0 bar
Max. ambient temperature $T_{\max}$	40 °C
Minimum efficiency index (MEI)	$\geq 0.4$


## Motor data

Mains connection	3-400 V, 50 Hz
Voltage tolerance	$\pm 10$ %
Motor efficiency class	IE3
Rated power $P_2$	4000 W
Rated speed $n$	2900 1/min
Rated current $I_N$	7.59 A
Power factor $\cos \varphi_{100}$	0.80
Motor efficiency 50% $\eta_M 50\%$	88 %
Motor efficiency 75% $\eta_M 75\%$	88.4 %
Motor efficiency 100% $\eta_M 100\%$	88.4 %
Protection class	IP55
Insulation class	F

## Installation dimensions

Pipe connection on the suction side $DN_s$	DN 50
Pipe connection on the discharge side $DN_d$	DN 32

## Ordering information

Brand	Wilo
Net weight, approx. $m$	134 kg
Product description	Atmos GIGA-N 32/160-4/2
Article number	<b>6086577</b> 

## Installation type

### Continuous, infinitely variable control, differential pressure-sensitive CC-HVAC system

#### CC-HVAC system

CC-HVAC-System 1x10A-T34-DOL-FC-WM	2527824
CC-HVAC-System 2x10A-T34-DOL-FC-WM	2527825
CC-HVAC-System 3x10A-T34-DOL-FC-WM	2527826
CC-HVAC-System 4x10A-T34-DOL-FC-WM	2527827

#### Antenna GSM/GPRS

D-network dual-band antenna with 3 m cable	2533862
D-network tri-band antenna 10 m cable	2533863
D-network tri-band antenna 15 m cable	2533864

#### Outdoor temperature sensor Pt 100

Outdoor temperature sensor Pt 100	2533772
-----------------------------------	---------

#### DDG impulse selector

DDG impulse selector	2533770
----------------------	---------

#### BMS base module

BMS base module	2533800
-----------------	---------

#### CC communication module BACnet

CC-communication module BACnet IP (slave)	2537051
CC-communication module BACnet MS/TP (slave)	2537050

#### Communication module LON

Communication module LON	2533868
--------------------------	---------

#### Communication module ModBus

Communication module Modbus RTU	2533869
---------------------------------	---------

#### Communication module Profibus

Communication module Profibus DP	2533866
----------------------------------	---------

#### Communication module GSM

GSM module	2533861
------------	---------

#### Pump signalling module

Signalling module pump 1-2	2533812
----------------------------	---------

Signalling module pump 3-6	2533836
----------------------------	---------

**Signal converter retrofit kit**

Signal converter 0-10 V / 0-20 mA	2534992
-----------------------------------	---------

**Connection cable control modules/signalling modules**

Control modules connecting cable	2533790
Signalling modules connecting cable	2533890

**DDG (4-20mA)**

Wilo-DDG 10 Signal Trans.(4-20mA)2G VP.	2136454
Wilo-DDG 100 Signal Trans.(4-20mA)	2211740
Wilo-DDG 20 Signal Trans.(4-20mA)2G VP.	2136456
Wilo-DDG 40 Signal Trans.(4-20mA)2G VP.	2136458
Wilo-DDG 60 Signal Trans.(4-20mA)2G VP.	2136460

**DDG transducer**

DDG transducer	501771990
----------------	-----------

**DDG power supply unit**

DDG power supply unit	501865293
-----------------------	-----------

**PTC thermistor tripping unit**

PTC thermistor tripping unit	509275993
------------------------------	-----------

**Continuous, infinitely variable control, temperature-dependent CC-HVAC system**

**CC-HVAC system**

CC-HVAC-System 1x10A-T34-DOL-FC-WM	2527824
CC-HVAC-System 2x10A-T34-DOL-FC-WM	2527825
CC-HVAC-System 3x10A-T34-DOL-FC-WM	2527826
CC-HVAC-System 4x10A-T34-DOL-FC-WM	2527827

**Antenna GSM/GPRS**

D-network dual-band antenna with 3 m cable	2533862
D-network tri-band antenna 10 m cable	2533863
D-network tri-band antenna 15 m cable	2533864

**Outdoor temperature sensor Pt 100**

Outdoor temperature sensor Pt 100	2533772
-----------------------------------	---------

**BMS base module**

--	--

BMS base module	2533800
<b>CC communication module BACnet</b>	
CC-communication module BACnet IP (slave)	2537051
CC-communication module BACnet MS/TP (slave)	2537050
<b>Communication module LON</b>	
Communication module LON	2533868
<b>Communication module ModBus</b>	
Communication module Modbus RTU	2533869
<b>Communication module Profibus</b>	
Communication module Profibus DP	2533866
<b>Communication module GSM</b>	
GSM module	2533861
<b>Pump signalling module</b>	
Signalling module pump 1-2	2533812
Signalling module pump 3-6	2533836
<b>Signal converter retrofit kit</b>	
Signal converter 0-10 V / 0-20 mA	2534992
<b>Temperature module</b>	
Temperature module for systems with 1-3 pumps	2534991
Temperature module for systems with 4-6 pumps	2533771
<b>Connection cable control modules/signalling modules</b>	
Control modules connecting cable	2533790
Signalling modules connecting cable	2533890
<b>PTC thermistor tripping unit</b>	
PTC thermistor tripping unit	509275993
<b>Continuous, infinitely variable control, differential pressure-sensitive SC-HVAC system</b>	
<b>SC/SC-FC-HVAC system</b>	
SC-FC-HVAC system 1x10A-FC-WM (direct starting)	2545442
SC-FC-HVAC system 2x10A-FC-WM (direct starting)	2545443
SC-FC-HVAC system 3x10A-FC-WM (direct starting)	2545444

SC-FC-HVAC system 4x10A-FC-WM (direct starting)	2545445
SC-HVAC system 1x10A-WM (direct starting)	2545326
SC-HVAC system 2x10A-WM (direct starting)	2545327
SC-HVAC system 3x10A-WM (direct starting)	2545328
SC-HVAC system 4x10A-WM (direct starting)	2545329

**Antenna GSM/GPRS**

D-network dual-band antenna with 3 m cable	2533862
D-network tri-band antenna 10 m cable	2533863
D-network tri-band antenna 15 m cable	2533864

**Outdoor temperature sensor Pt 100**

Outdoor temperature sensor Pt 100	2533772
-----------------------------------	---------

**DDG impulse selector**

DDG impulse selector	2533770
----------------------	---------

**Communication module LON (SC)**

Communication module LON (SC)	2538243
-------------------------------	---------

**SC communication module BACnet**

SC-communication module BACnet MS/TP (slave)	2538242
----------------------------------------------	---------

**Communication module GSM (SC)**

Communication module GSM (SC)	2542216
-------------------------------	---------

**Pump signalling module**

Signalling module pump 1-2	2533812
Signalling module pump 3-6	2533836

**SC-HVAC signal board**

SC-HVAC signal board	2119646
----------------------	---------

**DDG (4-20mA)**

Wilo-DDG 10 Signal Trans.(4-20mA)2G VP.	2136454
Wilo-DDG 100 Signal Trans.(4-20mA)	2211740
Wilo-DDG 20 Signal Trans.(4-20mA)2G VP.	2136456
Wilo-DDG 40 Signal Trans.(4-20mA)2G VP.	2136458
Wilo-DDG 60 Signal Trans.(4-20mA)2G VP.	2136460

**DDG transducer**

--	--



DDG transducer	501771990
<b>DDG power supply unit</b>	
DDG power supply unit	501865293
<b>PTC thermistor tripping unit</b>	
PTC thermistor tripping unit	509275993
<b>Continuous, infinitely variable control, temperature-dependent SC-HVAC system</b>	
<b>SC/SC-FC-HVAC system</b>	
SC-FC-HVAC system 1x10A-FC-WM (direct starting)	2545442
SC-FC-HVAC system 2x10A-FC-WM (direct starting)	2545443
SC-FC-HVAC system 3x10A-FC-WM (direct starting)	2545444
SC-FC-HVAC system 4x10A-FC-WM (direct starting)	2545445
SC-HVAC system 1x10A-WM (direct starting)	2545326
SC-HVAC system 2x10A-WM (direct starting)	2545327
SC-HVAC system 3x10A-WM (direct starting)	2545328
SC-HVAC system 4x10A-WM (direct starting)	2545329
<b>Antenna GSM/GPRS</b>	
D-network dual-band antenna with 3 m cable	2533862
D-network tri-band antenna 10 m cable	2533863
D-network tri-band antenna 15 m cable	2533864
<b>Outdoor temperature sensor Pt 100</b>	
Outdoor temperature sensor Pt 100	2533772
<b>Communication module LON (SC)</b>	
Communication module LON (SC)	2538243
<b>SC communication module BACnet</b>	
SC-communication module BACnet MS/TP (slave)	2538242
<b>Communication module GSM (SC)</b>	
Communication module GSM (SC)	2542216
<b>Pump signalling module</b>	
Signalling module pump 1-2	2533812
Signalling module pump 3-6	2533836
<b>SC-HVAC signal board</b>	

SC-HVAC signal board

2119646

**PTC thermistor tripping unit**

PTC thermistor tripping unit

509275993