

## Data sheet

### Hydraulic data

|                                     |        |
|-------------------------------------|--------|
| Maximum operating pressure $P_N$    | 16 bar |
| Min. fluid temperature $T_{\min}$   | -20 °C |
| Max. fluid temperature $T_{\max}$   | 140 °C |
| Min. ambient temperature $T_{\min}$ | -15 °C |
| Max. ambient temperature $T_{\max}$ | 40 °C  |

### Motor data

|                                   |                |
|-----------------------------------|----------------|
| Mains connection                  | 3~400 V, 50 Hz |
| Voltage tolerance                 | ±10 %          |
| Rated power $P_2$                 | 0.75 kW        |
| Motor efficiency class            | IE3            |
| Rated current $I_N$               | 1.62 A         |
| Rated speed $n$                   | 1420 1/min     |
| Power factor $\cos \varphi_{100}$ | 0.72           |
| Insulation class                  | F              |
| Protection class motor            | IP55           |

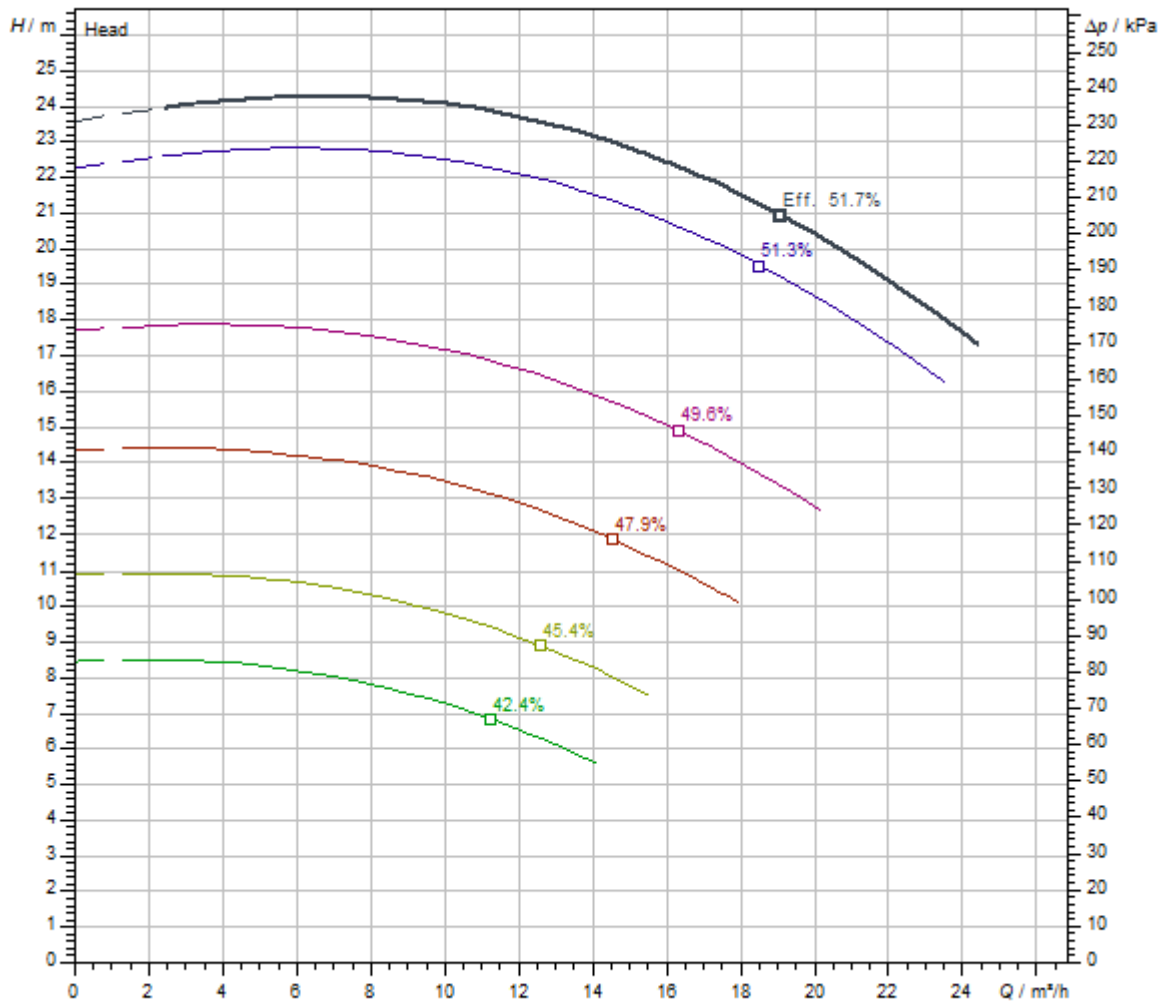
### Installation dimensions

|  |       |
|--|-------|
| Pipe connection on the suction side $DN_s$   | DN 50 |
| Pipe connection on the discharge side $DN_d$ | DN 32 |

### Materials

|                 |                              |
|-----------------|------------------------------|
| Pump housing    | 5.1301/EN-GJL-250 KTL-coated |
| Impeller        | Grey cast iron               |
| Shaft           | Stainless steel              |
| Mechanical seal | AQ1EGG                       |
| Lantern         | Grey cast iron               |

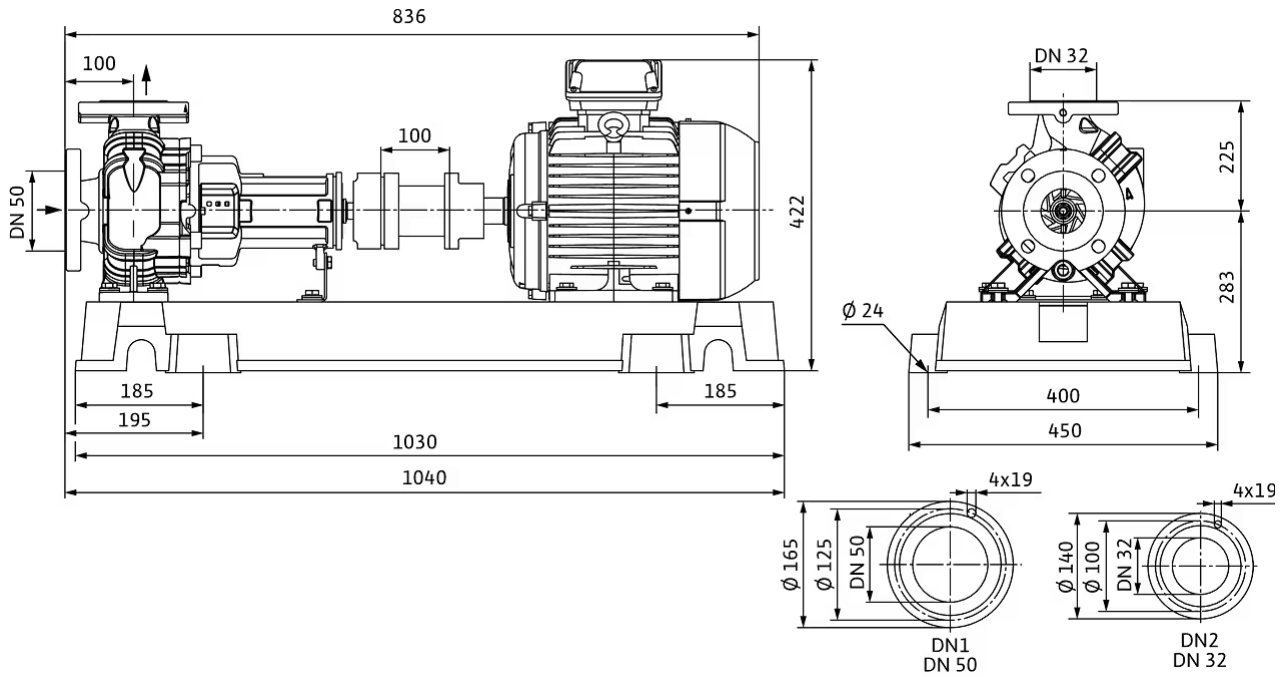
Pump curves



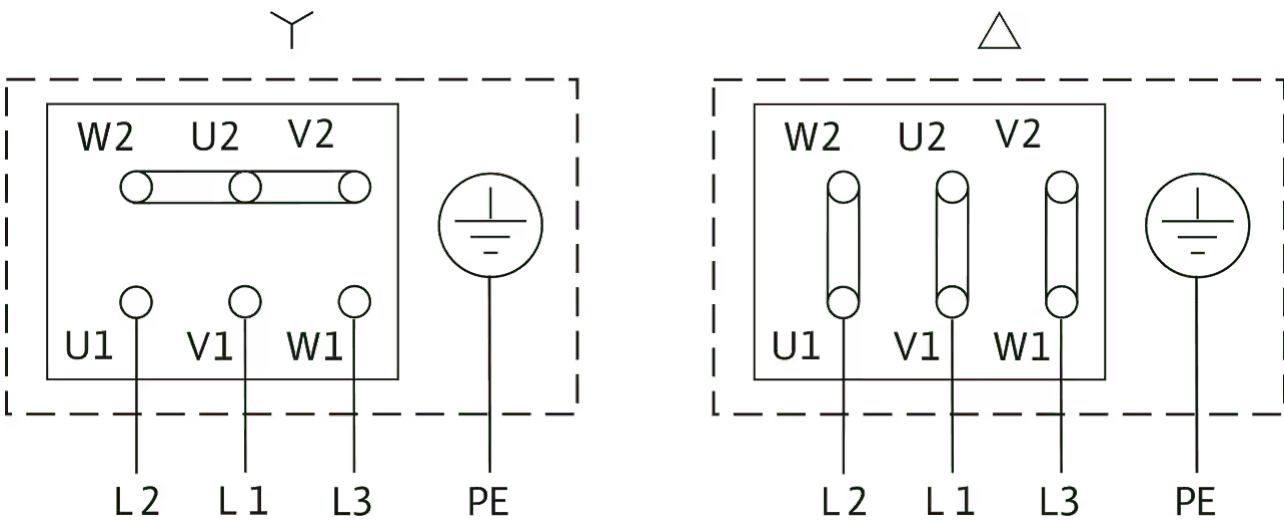
|   |             |
|---|-------------|
| Standard                                | ISO 9906 3B |
| Fluid media                             | Water 100 % |
| Fluid temperature <i>T</i>              | 20.00 °C    |
| speed at duty point <i>n hydr. @ OP</i> | 1,470 1/min |
| Impeller diameter <i>d imp.</i>         | 258 mm      |

Dimensions and dimensions drawings

Atmos GIGA-N 32/250-0,75/4



Wiring diagram



Δ: Connection diagram delta connection

Y: Connection diagram star connection

Motor protection switch required on-site. Check the direction of rotation! To change the direction of rotation, exchange any two phases.

$P_2 \leq 3$  kW 3~400 V Y

3~230 V Δ

$P_2 \geq 4$  kW 3~690 V Y

3~400 V Δ

After removing the bridges, Y-Δ start is possible.

## Ordering information

### Product data

|                            |                            |
|----------------------------|----------------------------|
| Brand                      | Wilo                       |
| Product description        | Atmos GIGA-N 32/250-0,75/4 |
| Article number             | <b>6086552</b>             |
| EAN number                 | 4048482980928              |
| Colour                     | Green                      |
| Minimum order quantity     | 1                          |
| Date of sales availability | 2019-03-01                 |

### Packaging

|                    |                     |
|--------------------|---------------------|
| Packaging type     | Special pallet      |
| Packaging property | Transport packaging |
| Pieces per pallet  | 1                   |
| Number per layer   | 1                   |

### Dimension, weight

|                                |         |
|--------------------------------|---------|
| Length with packaging          | 1200 mm |
| Length <i>L</i>                | 1040 mm |
| Height with packaging          | 648 mm  |
| Height <i>H</i>                | 508 mm  |
| Width with packaging           | 500 mm  |
| Width <i>W</i>                 | 450 mm  |
| Gross weight, approx. <i>m</i> | 156 kg  |
| Net weight, approx. <i>m</i>   | 145 kg  |

**Tender text**

Single-stage centrifugal pump as baseplate pump in accordance with EN 733, with axial suction ports and radial pressure ports for installation on a base. Pump with support foot and flanged bearing bracket, coupling, coupling guard and motor mounted to same baseplate.

IEC motor with 3 PTC thermistor sensors. Shaft sealing with bidirectional bellows mechanical seal. Grey cast iron housing, stainless steel shaft, grey cast iron impeller. Cathaphoretic coating as standard for all cast iron components in contact with fluid.

Coupling variants:

- > Spacer coupling (standard)
- > Elastic coupling (variant P5, at a reduced price)

Impeller variants (for an additional charge):

- > Bronze

> Stainless steel

**NOTICE**

The elastic coupling does not contain a spacer.

The spacer coupling is an elastic coupling with a spacer. The spacer reduces maintenance costs, and further motor orientation when changing the mechanical seal is not necessary.

**Materials**

|              |                              |
|--------------|------------------------------|
| Pump housing | 5.1301/EN-GJL-250 KTL-coated |
| Impeller     | Grey cast iron               |
| Lantern      | Grey cast iron               |
| Shaft        | Stainless steel              |
| Shaft seal   | AQ1EGG                       |

**Operating Data**

|                                    |          |
|------------------------------------|----------|
| Min. fluid temperature $T_{min}$   | -20 °C   |
| Max. fluid temperature $T_{max}$   | 140 °C   |
| Maximum operating pressure $p$     | 16.0 bar |
| Max. ambient temperature $T_{max}$ | 40 °C    |
| Minimum efficiency index (MEI)     | ≥0.4     |

**Motor data**

|                                      |                |
|--------------------------------------|----------------|
| Mains connection                     | 3~400 V, 50 Hz |
| Voltage tolerance                    | ±10 %          |
| Motor efficiency class               | IE3            |
| Rated power $P_2$                    | 750 W          |
| Rated speed $n$                      | 1420 1/min     |
| Rated current $I_N$                  | 1.62 A         |
| Power factor $\cos \varphi_{100}$    | 0.72           |
| Motor efficiency 50% $\eta_M 50\%$   | 80 %           |
| Motor efficiency 75% $\eta_M 75\%$   | 82 %           |
| Motor efficiency 100% $\eta_M 100\%$ | 82.5 %         |
| Protection class                     | IP55           |
| Insulation class                     | F              |

**Installation dimensions**

|  |       |
|--|-------|
| Pipe connection on the suction side $DN_s$   | DN 50 |
| Pipe connection on the discharge side $DN_d$ | DN 32 |

**Ordering information**

|                         |                            |
|-------------------------|----------------------------|
| Brand                   | Wilo                       |
| Net weight, approx. $m$ | 145 kg                     |
| Product description     | Atmos GIGA-N 32/250-0,75/4 |
| Article number          | <b>6086552</b>             |

## Installation type

### Continuous, infinitely variable control, differential pressure-sensitive SC-HVAC system

#### Antenna GSM/GPRS

|  |         |
|--|---------|
| D-network dual-band antenna with 3 m cable | 2533862 |
| D-network tri-band antenna 10 m cable      | 2533863 |
| D-network tri-band antenna 15 m cable      | 2533864 |

#### Outdoor temperature sensor Pt 100

|                                   |         |
|-----------------------------------|---------|
| Outdoor temperature sensor Pt 100 | 2533772 |
|-----------------------------------|---------|

#### DDG impulse selector

|                      |         |
|----------------------|---------|
| DDG impulse selector | 2533770 |
|----------------------|---------|

#### Communication module LON (SC)

|                               |         |
|-------------------------------|---------|
| Communication module LON (SC) | 2538243 |
|-------------------------------|---------|

#### SC communication module BACnet

|  |         |
|--|---------|
| SC-communication module BACnet MS/TP (slave) | 2538242 |
|--|---------|

#### Communication module GSM (SC)

|                               |         |
|-------------------------------|---------|
| Communication module GSM (SC) | 2542216 |
|-------------------------------|---------|

#### Pump signalling module

|                            |         |
|----------------------------|---------|
| Signalling module pump 1-2 | 2533812 |
| Signalling module pump 3-6 | 2533836 |

#### SC-HVAC signal board

|                      |         |
|----------------------|---------|
| SC-HVAC signal board | 2119646 |
|----------------------|---------|

#### DDG (4-20mA)

|   |         |
|---|---------|
| Wilo-DDG 10 Signal Trans.(4-20mA)2G VP. | 2136454 |
| Wilo-DDG 100 Signal Trans.(4-20mA)      | 2211740 |
| Wilo-DDG 20 Signal Trans.(4-20mA)2G VP. | 2136456 |
| Wilo-DDG 40 Signal Trans.(4-20mA)2G VP. | 2136458 |
| Wilo-DDG 60 Signal Trans.(4-20mA)2G VP. | 2136460 |

#### DDG transducer

|                |           |
|----------------|-----------|
| DDG transducer | 501771990 |
|----------------|-----------|

#### DDG power supply unit

|  |  |
|--|--|
|  |  |
|--|--|

|                       |           |
|-----------------------|-----------|
| DDG power supply unit | 501865293 |
|-----------------------|-----------|

**PTC thermistor tripping unit**

|                              |           |
|------------------------------|-----------|
| PTC thermistor tripping unit | 509275993 |
|------------------------------|-----------|

**Continuous, infinitely variable control, temperature-dependent SC-HVAC system**

**Antenna GSM/GPRS**

|  |         |
|--|---------|
| D-network dual-band antenna with 3 m cable | 2533862 |
| D-network tri-band antenna 10 m cable      | 2533863 |
| D-network tri-band antenna 15 m cable      | 2533864 |

**Outdoor temperature sensor Pt 100**

|                                   |         |
|-----------------------------------|---------|
| Outdoor temperature sensor Pt 100 | 2533772 |
|-----------------------------------|---------|

**Communication module LON (SC)**

|                               |         |
|-------------------------------|---------|
| Communication module LON (SC) | 2538243 |
|-------------------------------|---------|

**SC communication module BACnet**

|  |         |
|--|---------|
| SC-communication module BACnet MS/TP (slave) | 2538242 |
|--|---------|

**Communication module GSM (SC)**

|                               |         |
|-------------------------------|---------|
| Communication module GSM (SC) | 2542216 |
|-------------------------------|---------|

**Pump signalling module**

|                            |         |
|----------------------------|---------|
| Signalling module pump 1-2 | 2533812 |
| Signalling module pump 3-6 | 2533836 |

**SC-HVAC signal board**

|                      |         |
|----------------------|---------|
| SC-HVAC signal board | 2119646 |
|----------------------|---------|

**PTC thermistor tripping unit**

|                              |           |
|------------------------------|-----------|
| PTC thermistor tripping unit | 509275993 |
|------------------------------|-----------|

## Electrical accessories

### Pump control

#### Wilo-EFC

|                                 |         |
|---------------------------------|---------|
| EFC0.55 3x380-480V 50/60Hz IP55 | 2193430 |
|---------------------------------|---------|

### Pump control/accessories

#### Antenna GSM/GPRS

|  |         |
|--|---------|
| D-network dual-band antenna with 3 m cable | 2533862 |
| D-network tri-band antenna 10 m cable      | 2533863 |
| D-network tri-band antenna 15 m cable      | 2533864 |
| SMA/FME adapter                            | 2545548 |

#### BMS base module

|                 |         |
|-----------------|---------|
| BMS base module | 2533800 |
|-----------------|---------|

#### CC communication module BACnet

|  |         |
|--|---------|
| CC-communication module BACnet MS/TP (slave) | 2537050 |
| CC-communication module BACnet IP (slave)    | 2537051 |

#### Communication module CC

|                         |         |
|-------------------------|---------|
| CC communication module | 2533850 |
|-------------------------|---------|

#### Communication module GSM

|            |         |
|------------|---------|
| GSM module | 2533861 |
|------------|---------|

#### Communication module GSM (SC)

|                               |         |
|-------------------------------|---------|
| Communication module GSM (SC) | 2542216 |
|-------------------------------|---------|

#### Communication module LON

|                          |         |
|--------------------------|---------|
| Communication module LON | 2533868 |
|--------------------------|---------|

#### Communication module LON (SC)

|                               |         |
|-------------------------------|---------|
| Communication module LON (SC) | 2538243 |
|-------------------------------|---------|

#### Communication module ModBus

|                                 |         |
|---------------------------------|---------|
| Communication module Modbus RTU | 2533869 |
|---------------------------------|---------|

#### Communication module Profibus

|                                  |         |
|----------------------------------|---------|
| Communication module Profibus DP | 2533866 |
|----------------------------------|---------|



### Connection cable control modules/signalling modules

|                                     |         |
|-------------------------------------|---------|
| Control modules connecting cable    | 2533790 |
| Signalling modules connecting cable | 2533890 |

### DDG impulse selector

|                      |         |
|----------------------|---------|
| DDG impulse selector | 2533770 |
|----------------------|---------|

### Outdoor temperature sensor Pt 100

|                                   |         |
|-----------------------------------|---------|
| Outdoor temperature sensor Pt 100 | 2533772 |
|-----------------------------------|---------|

### Output filter EFC (150-500 m cable length)

|                                |         |
|--------------------------------|---------|
| 2.4 A sin IP54 Wilo-EFC filter | 6084559 |
| 2.5 A sin IP00 Wilo-EFC filter | 6084574 |
| 2.5 A sin IP20 Wilo-EFC filter | 6084900 |

### Pump signalling module

|                            |         |
|----------------------------|---------|
| Signalling module pump 1-2 | 2533812 |
| Signalling module pump 3-6 | 2533836 |

### SC communication module BACnet

|  |         |
|--|---------|
| SC-communication module BACnet MS/TP (slave) | 2538242 |
| BACnet IP SC communication module            | 2553366 |

### SC-HVAC signal board

|                      |         |
|----------------------|---------|
| SC-HVAC signal board | 2119646 |
|----------------------|---------|

### Signal converter retrofit kit

|                                   |         |
|-----------------------------------|---------|
| Signal converter 0-10 V / 0-20 mA | 2534992 |
|-----------------------------------|---------|

### Temperature module

|   |         |
|---|---------|
| Temperature module for systems with 4-6 pumps | 2533771 |
| Temperature module for systems with 1-3 pumps | 2534991 |

### Differential pressure detection

#### DDG (4-20mA)

|   |         |
|---|---------|
| Wilo-DDG 10 Signal Trans.(4-20mA)2G VP. | 2136454 |
| Wilo-DDG 20 Signal Trans.(4-20mA)2G VP. | 2136456 |
| Wilo-DDG 40 Signal Trans.(4-20mA)2G VP. | 2136458 |
| Wilo-DDG 60 Signal Trans.(4-20mA)2G VP. | 2136460 |
| Wilo-DDG 100 Signal Trans.(4-20mA)      | 2211740 |

**DDG power supply unit**

|                       |           |
|-----------------------|-----------|
| DDG power supply unit | 501865293 |
|-----------------------|-----------|

**DDG transducer**

|                |           |
|----------------|-----------|
| DDG transducer | 501771990 |
|----------------|-----------|

**Motor protection**

**PTC thermistor tripping unit**

|                              |           |
|------------------------------|-----------|
| PTC thermistor tripping unit | 509275993 |
|------------------------------|-----------|

## Services

With Wilo as your partner, you can not only be sure of choosing high-quality product solutions, but also of benefiting from a comprehensive, worry-free package of well thought-out services. We collaborate to develop a service concept tailored to your individual needs; with our expertise and personal consultancy, we make sure that the operation of your systems is as energy-efficient, reliable and economical as possible. All the while our competent Wilo service technicians are ready to assist you with fast, reliable and on-time support.

### Recommended services

|                                     |         |
|-------------------------------------|---------|
| Supervision Norm-/SCP pumps         | 2219322 |
| Commissioning Norm-/SCP pumps       | 2160452 |
| Maintenance BASIC Norm-/SCP pumps   | 2160467 |
| Maintenance COMFORT Norm-/SCP pumps | 2160482 |
| Wilo-Live Assistant Service         | 2216415 |

### More suitable services

|                                     |         |
|-------------------------------------|---------|
| Service Package L Norm-/SCP pumps   | 2219698 |
| Service Package M Norm-/SCP pumps   | 2219669 |
| Service Package S Norm-/SCP pumps   | 2219640 |
| Extended Warranty Norm-/SCP pumps   | 2219591 |
| Installation Norm-/SCP pumps        | 2219357 |
| System Optimisation Norm-/SCP pumps | 2219252 |
| Energy Solutions Norm-/SCP pumps    | 2219287 |
| Repair Norm-/SCP pumps              | 2219611 |