



Data sheet

Hydraulic data

| | |
|------------------------------------|--------|
| Maximum operating pressure P_N | 10 bar |
| Discharge port | Rp 1 |
| Min. fluid temperature T_{min} | -20 °C |
| Max. fluid temperature T_{max} | 90 °C |
| Min. ambient temperature T_{min} | -15 °C |
| Max. ambient temperature T_{max} | 50 °C |

Motor data

| | |
|------------------------|----------------|
| Mains connection | 1~230 V, 50 Hz |
| Voltage tolerance | ±10 % |
| Rated power P_2 | 0.55 kW |
| Rated current I_N | 3.6 A |
| Rated speed n | 2900 1/min |
| Insulation class | F |
| Protection class motor | IP55 |

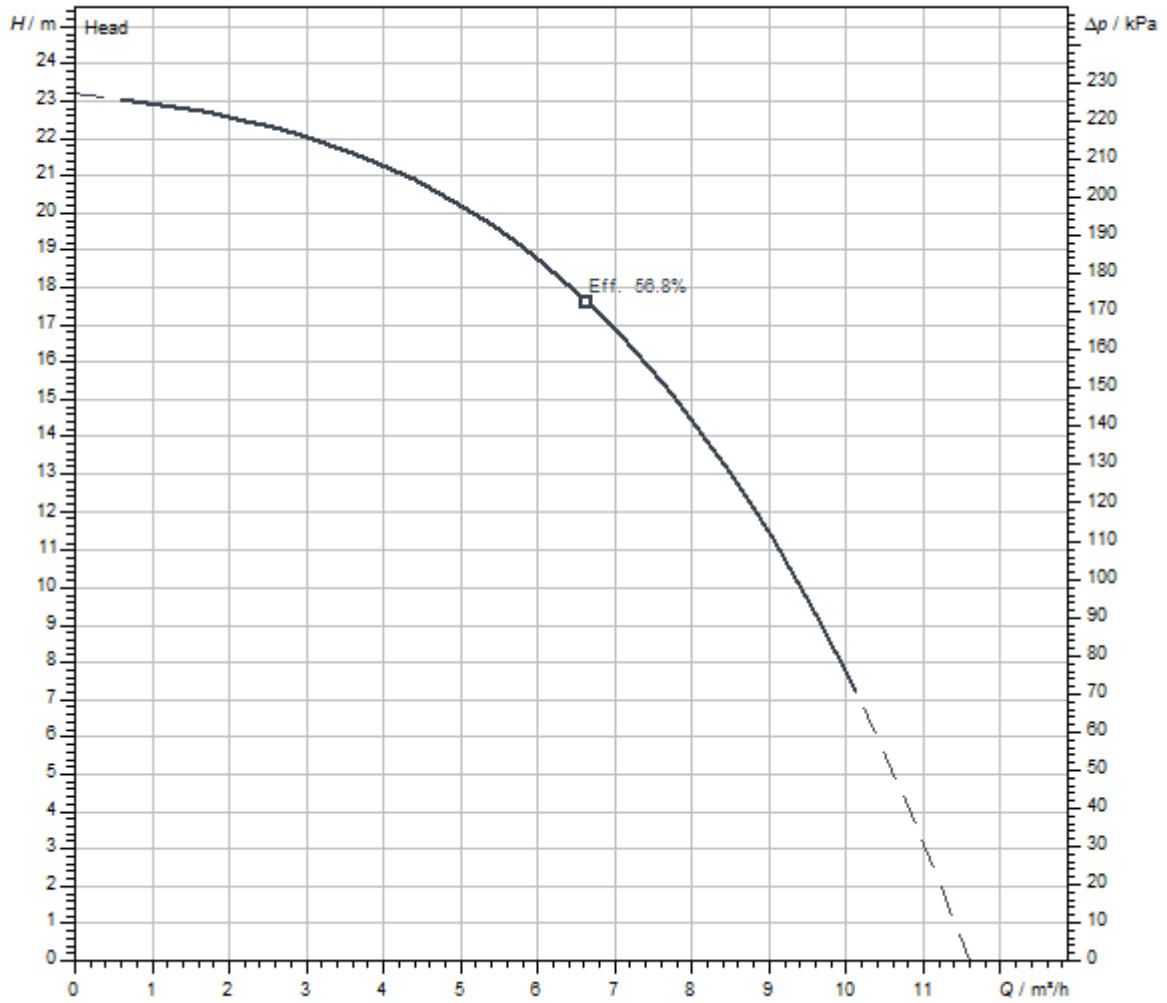
Materials

| | |
|-----------------|-----------------|
| Pump housing | Stainless steel |
| Shaft | Stainless steel |
| Shaft seal | BQ1VGG |
| Gasket material | FKM |
| Impeller | Stainless steel |

Installation dimensions

| | |
|--|-------|
| Pipe connection on the suction side D_Ns | Rp 1½ |
| Pipe connection on the discharge side D_Nd | Rp 1 |

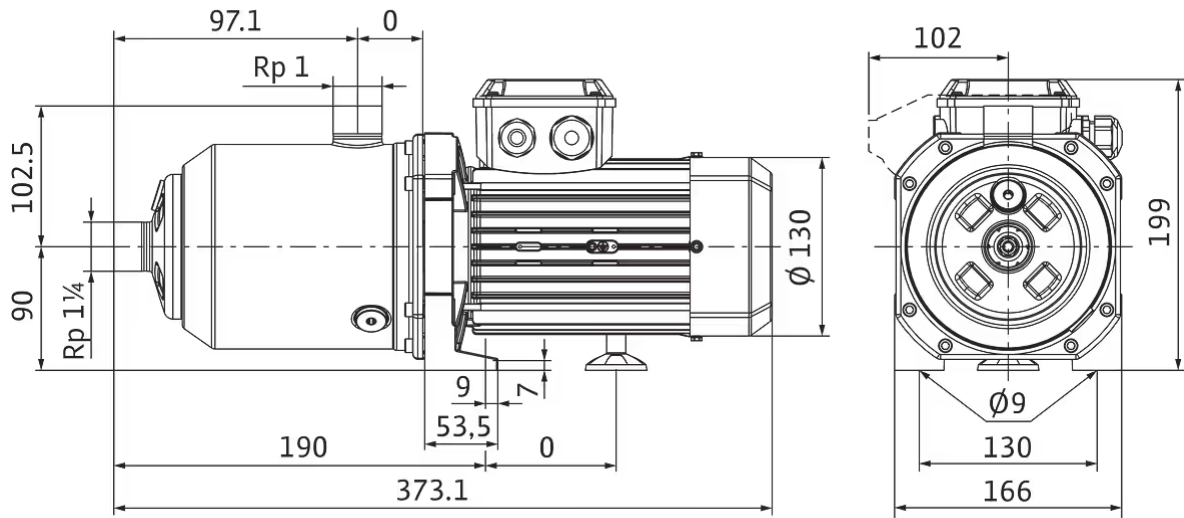
Pump curves



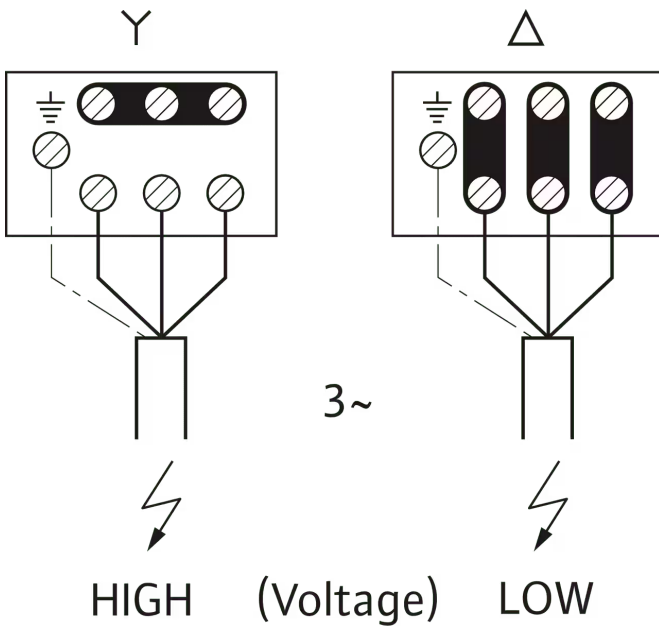
| | |
|---|-------------|
| Fluid media | Water 100 % |
| Fluid temperature <i>T</i> | 20.00 °C |
| speed at duty point <i>n hydr. @ OP</i> | 2,900 1/min |

Dimensions and dimensions drawings

Medana CH1-L.602-2/V/A/10T




Wiring diagram



Ordering information

Product data

| | |
|----------------------------|--|
| Brand | Wilo |
| Product description | Medana CH1-L.602-2/V/A/10T |
| Article number | 4235348  |
| EAN number | 4048482938578 |
| Colour | Green/black/silver |
| Minimum order quantity | 1 |
| Date of sales availability | 2020-06-15 |

Packaging

| | |
|--------------------|---------------------|
| Packaging type | Cardboard box |
| Packaging property | Transport packaging |
| Pieces per pallet | 1 |
| Number per layer | 1 |

Dimension, weight

| | |
|--------------------------------|----------|
| Length with packaging | 600 mm |
| Length <i>L</i> | 373.1 mm |
| Height with packaging | 280 mm |
| Height <i>H</i> | 199 mm |
| Width with packaging | 260 mm |
| Width <i>W</i> | 185 mm |
| Gross weight, approx. <i>m</i> | 11.4 kg |
| Net weight, approx. <i>m</i> | 9.9 kg |

Tender text

The non-self-priming horizontal multistage pump reaches high hydraulic performances. Its compact and robust design with corrosion-resistant components and the usability in ambient temperatures up to 50°C offers a big field of application for pump integration into larger systems.

The pump is suitable for water supply and pressure boosting, industrial circulation systems, process water and cooling water circulation systems. It can also be used in washing systems as well as for irrigation.

Special features/Product advantages

- > Easy and fast commissioning/maintenance thanks to big holes for pump-filling and emptying
- > High reliability in terms of robustness and noise thanks to the neck ring design and corrosion-resistant lantern with cathophoretic coating
- > Compact design for an easy integration
- > All hydraulic parts which come into contact with the fluid, such as stage chambers, impellers and diffusers and the pump housing are made of stainless steel
- > Drinking water approval for all components that come in contact with the fluid (EPDM version)

Scope of delivery

- > Pump
- > Installation and operating instructions

Operating Data

Product data

| | |
|------------------------------------|--------|
| Maximum operating pressure P_N | 10 bar |
| Min. fluid temperature T_{min} | -20 °C |
| Max. fluid temperature T_{max} | 90 °C |
| Max. ambient temperature T_{max} | 50 °C |

Motor data

| | |
|------------------------|----------------|
| Mains connection | 1~230 V, 50 Hz |
| Voltage tolerance | ±10 % |
| Rated power P_2 | 0.55 kW |
| Rated current I_N | 3.6 A |
| Rated speed n | 2900 1/min |
| Insulation class | F |
| Protection class | IP55 |
| Motor efficiency class | IE2 |

Materials

| | |
|-----------------|-----------------|
| Pump housing | Stainless steel |
| Impeller | Stainless steel |
| Shaft | Stainless steel |
| Shaft seal | BQ1VGG |
| Gasket material | FKM |

Installation dimensions

| | |
|--|-------|
| Pipe connection on the suction side D_Ns | Rp 1½ |
| Pipe connection on the discharge side D_Nd | Rp 1 |

Ordering information

| | |
|-------------------------|----------------------------|
| Brand | Wilo |
| Product description | Medana CH1-L.602-2/V/A/10T |
| Net weight, approx. m | 9.9 kg |
| Article number | 4235348 |

Mechanical accessories

Fittings

Non-return valve

| | |
|---------------------------|---------|
| Non-return valve RV/S R 1 | 2660842 |
|---------------------------|---------|

Shut-off valve

| | |
|-----------------|---------|
| Ball valve Rp 1 | 2663980 |
|-----------------|---------|

Pipe installation

Flexible connection line

| | |
|---|---------|
| Flexible connection line Rp1 1/4 / R1 1/4 | 2526774 |
|---|---------|

Suction filter

Suction filter (threaded extraction)

| | |
|---------------------|---------|
| Fine suction filter | 2025755 |
|---------------------|---------|

Valves/accessories

Screwed connection for non-return valve

| | |
|---|---------|
| Screwed connection for non-return valve DN 32 | 2660529 |
|---|---------|

Electrical accessories

Pump control/accessories

Low-water cut-out switchgear kit for domestic water systems

| | |
|---|---------|
| low-water cut-out switchgear kit WMS G 1¼ | 4204510 |
| low-water cut-out switchgear kit WMS G2 | 4204512 |

Pressure control

Pressure sensor for systems

| | |
|-----------------------------|---------|
| Pressure sensor, 0 - 6 bar | 2550660 |
| Pressure sensor, 0 - 10 bar | 2550661 |
| Pressure sensor, 0 - 16 bar | 2550662 |
| Pressure sensor, 0 - 25 bar | 2550663 |
| Pressure sensor, 0 - 40 bar | 2550664 |

Level control

Float switch WA

| | |
|---------------------------------------|-----------|
| Float switch WA65 with 5 m cable | 503211390 |
| Float switch WA65 with 10 m cable | 503211893 |
| Float switch WA65 with 20 m cable | 2004431 |
| Float switch WA65 with 30 m cable | 2004432 |
| Float switch WA KR1 S with 5 m cable | 6082806 |
| Float switch WA KR1 S with 10 m cable | 6082807 |

Float switch WA-EK

| | |
|----------------------------------|-----------|
| Float switch WAEK 65, 5 m cable | 503211698 |
| Float switch WAEK 65, 10 m cable | 2005516 |
| Float switch WAEK 65, 20 m cable | 2005517 |

Float switch WAO

| | |
|---------------------------------|-----------|
| Float switch WAO 65, 5 m cable | 503211595 |
| Float switch WAO 65, 10 m cable | 2006027 |
| Float switch WAO 65, 20 m cable | 2004429 |
| Float switch WAO 65, 30 m cable | 2004430 |

Float switch WAO-EK

| | |
|-----------------------------------|---------|
| Float switch WAOEK 65, 20 m cable | 2005626 |
|-----------------------------------|---------|

Immersion probe

| | |
|-------------------------------------|-----------|
| Submersible electrode, 3 m | 500183799 |
| Submersible electrode, 4 m | 2516278 |
| Submersible electrode, 5 m | 500937990 |
| Submersible electrode, 10 m | 2501937 |
| Submersible electrode, 20 m | 2516283 |
| Submersible electrode, 25 m | 2000601 |
| Submersible electrode, 30 m | 2514045 |
| Submersible electrode, 35 m | 2516284 |
| Submersible electrode, 40 m | 2516285 |
| Submersible electrode, 50 m | 2500315 |
| Submersible electrode without cable | 64873 |

Motor protection**PTC thermistor tripping unit**

| | |
|------------------------------|-----------|
| PTC thermistor tripping unit | 509275993 |
|------------------------------|-----------|

Services

With Wilo as your partner, you can not only be sure of choosing high-quality product solutions, but also of benefiting from a comprehensive, worry-free package of well thought-out services. We collaborate to develop a service concept tailored to your individual needs; with our expertise and personal consultancy, we make sure that the operation of your systems is as energy-efficient, reliable and economical as possible. All the while our competent Wilo service technicians are ready to assist you with fast, reliable and on-time support.

Recommended services

| | |
|---|---------|
| Maintenance BASIC FWJ/HiMulti 3-5 | 2219534 |
| Maintenance BASIC Booster Set 1-2 pumps | 2160453 |
| Maintenance COMFORT FWJ/HiMulti 3-5 | 2219496 |
| Maintenance COMFORT Booster Set 1-2 pumps | 2160468 |
| Maintenance PREMIUM FWJ/HiMulti 3-5 | 2219549 |
| Maintenance PREMIUM Booster Set 1-2 pumps | 2160483 |
| Commissioning FWJ/HiMulti 3-5 | 2219394 |
| Commissioning Booster Set 1-2 pumps | 2216414 |
| Wilo-Live Assistant Service | 2216415 |

More suitable services

| | |
|--|---------|
| Extended Warranty Booster Set 1-2 pumps | 2216416 |
| Supervision FWJ/HiMulti 3-5 | 2219328 |
| Supervision Booster Set 1-2 pumps | 2216412 |
| Installation FWJ/HiMulti 3-5 | 2219363 |
| Installation Booster Set 1-2 pumps | 2216413 |
| System Optimisation FWJ/HiMulti 3-5 | 2219258 |
| System Optimisation Booster Set 1-2 pump | 2216410 |
| Energy Solutions FWJ/HiMulti 3-5 | 2219293 |
| Energy Solutions Booster Set 1-2 pumps | 2216411 |
| Repair FWJ/HiMulti 3-5 | 2219617 |
| Repair Booster Set 1-2 pumps | 2216417 |