



Data sheet

Hydraulic data

| | |
|------------------------------------|--------|
| Maximum operating pressure P_N | 10 bar |
| Discharge port | Rp 1 |
| Min. fluid temperature T_{min} | -20 °C |
| Max. fluid temperature T_{max} | 90 °C |
| Min. ambient temperature T_{min} | -15 °C |
| Max. ambient temperature T_{max} | 50 °C |

Motor data

| | |
|------------------------|----------------|
| Mains connection | 3~400 V, 50 Hz |
| Voltage tolerance | ±10 % |
| Rated power P_2 | 0.75 kW |
| Rated current I_N | 1.9 A |
| Rated speed n | 2900 1/min |
| Insulation class | F |
| Protection class motor | IP55 |

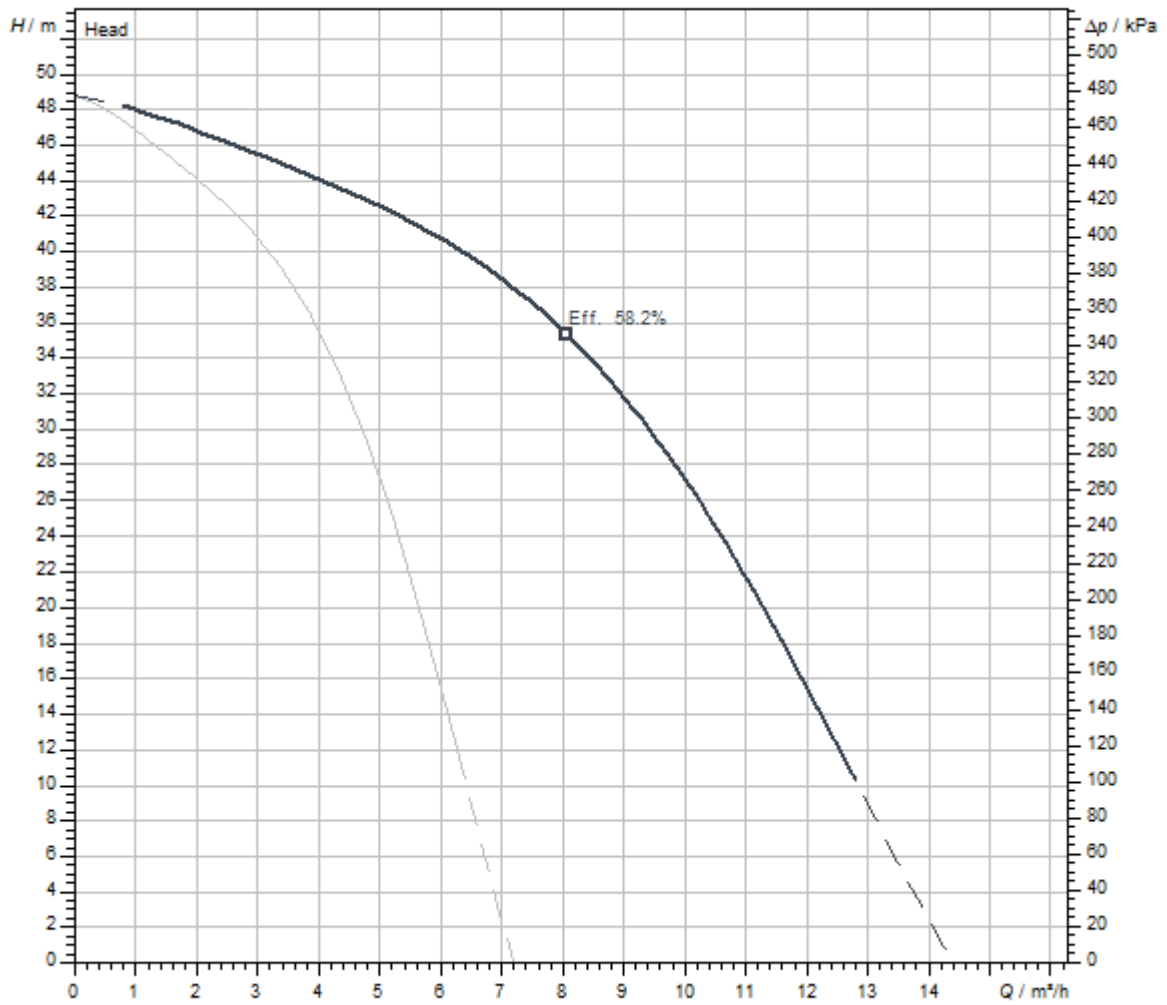
Materials

| | |
|-----------------|-----------------|
| Pump housing | Stainless steel |
| Shaft | Stainless steel |
| Shaft seal | BQ1VGG |
| Gasket material | FKM |
| Impeller | Stainless steel |

Installation dimensions

| | |
|--|------|
| Pipe connection on the suction side D_Ns | Rp 1 |
| Pipe connection on the discharge side D_Nd | Rp 1 |

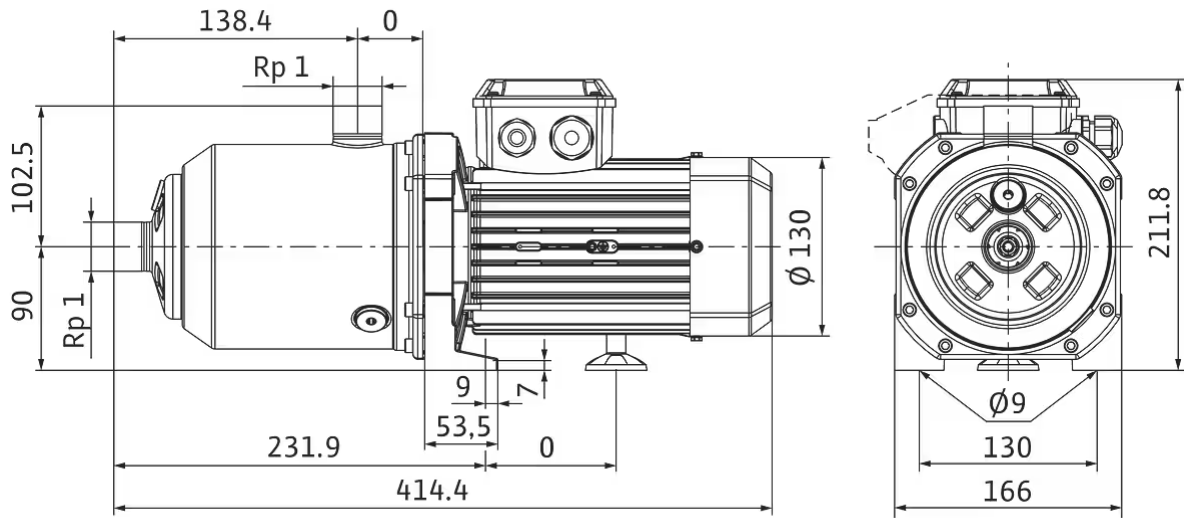
Pump curves



| | |
|--------------------------------------|-------------|
| Fluid media | Water 100 % |
| Fluid temperature T | 20.00 °C |
| speed at duty point $n_{hydr. @ OP}$ | 2,900 1/min |

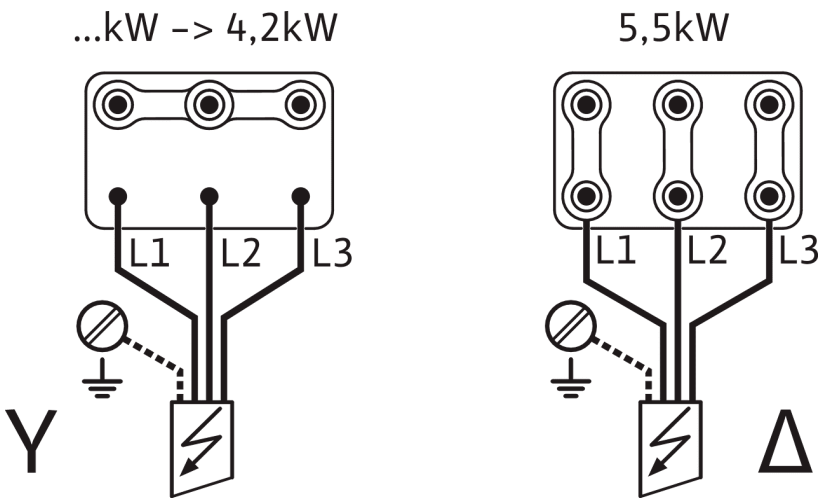
Dimensions and dimensions drawings

Medana CH1-L.405-2/V/E/10T



Wiring diagram


3~ 400 V, 50 Hz, 3~ 380-460 V, 60 Hz



~ 3 400V 50Hz / ~ 3 380-460V 60Hz

Ordering information

Product data

| | |
|----------------------------|--|
| Brand | Wilo |
| Product description | Medana CH1-L.405-2/V/E/10T |
| Article number | 4235343  |
| EAN number | 4048482938523 |
| Colour | Green/black/silver |
| Minimum order quantity | 1 |
| Date of sales availability | 2020-06-15 |

Packaging

| | |
|--------------------|---------------------|
| Packaging type | Cardboard box |
| Packaging property | Transport packaging |
| Pieces per pallet | 1 |
| Number per layer | 1 |

Dimension, weight

| | |
|--------------------------------|----------|
| Length with packaging | 600 mm |
| Length <i>L</i> | 414.4 mm |
| Height with packaging | 280 mm |
| Height <i>H</i> | 211.8 mm |
| Width with packaging | 260 mm |
| Width <i>W</i> | 166 mm |
| Gross weight, approx. <i>m</i> | 13 kg |
| Net weight, approx. <i>m</i> | 11.5 kg |

Tender text

The non-self-priming horizontal multistage pump reaches high hydraulic performances. Its compact and robust design with corrosion-resistant components and the usability in ambient temperatures up to 50°C offers a big field of application for pump integration into larger systems.

The pump is suitable for water supply and pressure boosting, industrial circulation systems, process water and cooling water circulation systems. It can also be used in washing systems as well as for irrigation.

Special features/Product advantages

- > Easy and fast commissioning/maintenance thanks to big holes for pump-filling and emptying
- > High reliability in terms of robustness and noise thanks to the neck ring design and corrosion-resistant lantern with cathophoretic coating
- > Compact design for an easy integration
- > All hydraulic parts which come into contact with the fluid, such as stage chambers, impellers and diffusers and the pump housing are made of stainless steel
- > Drinking water approval for all components that come in contact with the fluid (EPDM version)

Scope of delivery

- > Pump
- > Installation and operating instructions

Operating Data

Product data

| | |
|------------------------------------|--------|
| Maximum operating pressure P_N | 10 bar |
| Min. fluid temperature T_{min} | -20 °C |
| Max. fluid temperature T_{max} | 90 °C |
| Max. ambient temperature T_{max} | 50 °C |

Motor data

| | |
|------------------------|----------------|
| Mains connection | 3~400 V, 50 Hz |
| Voltage tolerance | ±10 % |
| Rated power P_2 | 0.75 kW |
| Rated current I_N | 1.9 A |
| Rated speed n | 2900 1/min |
| Insulation class | F |
| Protection class | IP55 |
| Motor efficiency class | IE3 |

Materials

| | |
|-----------------|-----------------|
| Pump housing | Stainless steel |
| Impeller | Stainless steel |
| Shaft | Stainless steel |
| Shaft seal | BQ1VGG |
| Gasket material | FKM |

Installation dimensions

| | |
|--|------|
| Pipe connection on the suction side D_Ns | Rp 1 |
| Pipe connection on the discharge side D_Nd | Rp 1 |

Ordering information

| | |
|-------------------------|----------------------------|
| Brand | Wilo |
| Product description | Medana CH1-L.405-2/V/E/10T |
| Net weight, approx. m | 11.5 kg |
| Article number | 4235343 |

Electrical accessories

Pump control

Wilo-EFC

| | |
|---------------------------------|---------|
| EFC0.75 3x380-480V 50/60Hz IP55 | 2193431 |
|---------------------------------|---------|

Pump control/accessories

Low-water cut-out switchgear kit for domestic water systems

| | |
|---|---------|
| low-water cut-out switchgear kit WMS G 1¼ | 4204510 |
| low-water cut-out switchgear kit WMS G2 | 4204512 |

Output filter EFC (150-500 m cable length)

| | |
|--------------------------------|---------|
| 2.4 A sin IP54 Wilo-EFC filter | 6084559 |
| 2.5 A sin IP00 Wilo-EFC filter | 6084574 |
| 2.5 A sin IP20 Wilo-EFC filter | 6084900 |

Pressure control

Pressure sensor for systems

| | |
|-----------------------------|---------|
| Pressure sensor, 0 - 6 bar | 2550660 |
| Pressure sensor, 0 - 10 bar | 2550661 |
| Pressure sensor, 0 - 16 bar | 2550662 |
| Pressure sensor, 0 - 25 bar | 2550663 |
| Pressure sensor, 0 - 40 bar | 2550664 |

Level control

Float switch WA

| | |
|---------------------------------------|-----------|
| Float switch WA65 with 5 m cable | 503211390 |
| Float switch WA65 with 10 m cable | 503211893 |
| Float switch WA65 with 20 m cable | 2004431 |
| Float switch WA65 with 30 m cable | 2004432 |
| Float switch WA KR1 S with 5 m cable | 6082806 |
| Float switch WA KR1 S with 10 m cable | 6082807 |

Float switch WA-EK

| | |
|-----------------------------------|-----------|
| Float switch WA EK 65, 5 m cable | 503211698 |
| Float switch WA EK 65, 10 m cable | 2005516 |
| Float switch WA EK 65, 20 m cable | 2005517 |

Float switch WAO

| | |
|---------------------------------|-----------|
| Float switch WAO 65, 5 m cable | 503211595 |
| Float switch WAO 65, 10 m cable | 2006027 |
| Float switch WAO 65, 20 m cable | 2004429 |
| Float switch WAO 65, 30 m cable | 2004430 |

Float switch WAO-EK

| | |
|-----------------------------------|---------|
| Float switch WAOEK 65, 20 m cable | 2005626 |
|-----------------------------------|---------|

Immersion probe

| | |
|-------------------------------------|-----------|
| Submersible electrode, 3 m | 500183799 |
| Submersible electrode, 4 m | 2516278 |
| Submersible electrode, 5 m | 500937990 |
| Submersible electrode, 10 m | 2501937 |
| Submersible electrode, 20 m | 2516283 |
| Submersible electrode, 25 m | 2000601 |
| Submersible electrode, 30 m | 2514045 |
| Submersible electrode, 35 m | 2516284 |
| Submersible electrode, 40 m | 2516285 |
| Submersible electrode, 50 m | 2500315 |
| Submersible electrode without cable | 64873 |

Motor protection**PTC thermistor tripping unit**

| | |
|------------------------------|-----------|
| PTC thermistor tripping unit | 509275993 |
|------------------------------|-----------|