



## Data sheet

### Hydraulic data

|                                    |        |
|------------------------------------|--------|
| Maximum operating pressure $P_N$   | 10 bar |
| Discharge port                     | Rp 1   |
| Min. fluid temperature $T_{min}$   | -20 °C |
| Max. fluid temperature $T_{max}$   | 90 °C  |
| Min. ambient temperature $T_{min}$ | -15 °C |
| Max. ambient temperature $T_{max}$ | 50 °C  |

### Motor data

|                        |                |
|------------------------|----------------|
| Mains connection       | 3~400 V, 50 Hz |
| Voltage tolerance      | ±10 %          |
| Rated power $P_2$      | 0.55 kW        |
| Rated current $I_N$    | 1.5 A          |
| Rated speed $n$        | 2900 1/min     |
| Insulation class       | F              |
| Protection class motor | IP55           |

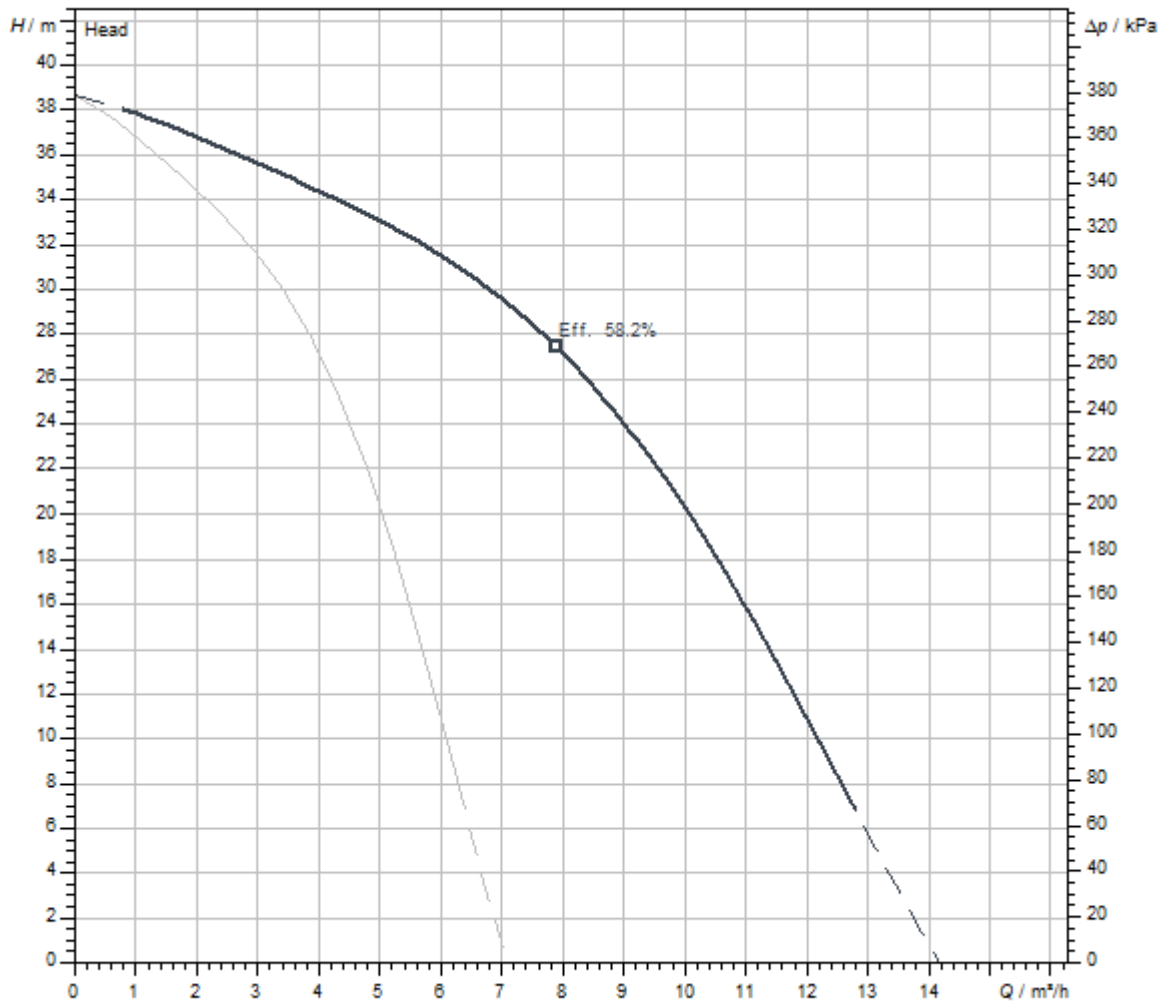
### Materials

|                 |                 |
|-----------------|-----------------|
| Pump housing    | Stainless steel |
| Shaft           | Stainless steel |
| Shaft seal      | BQ1VGG          |
| Gasket material | FKM             |
| Impeller        | Stainless steel |

### Installation dimensions

|  |      |
|--|------|
| Pipe connection on the suction side $D_Ns$   | Rp 1 |
| Pipe connection on the discharge side $D_Nd$ | Rp 1 |

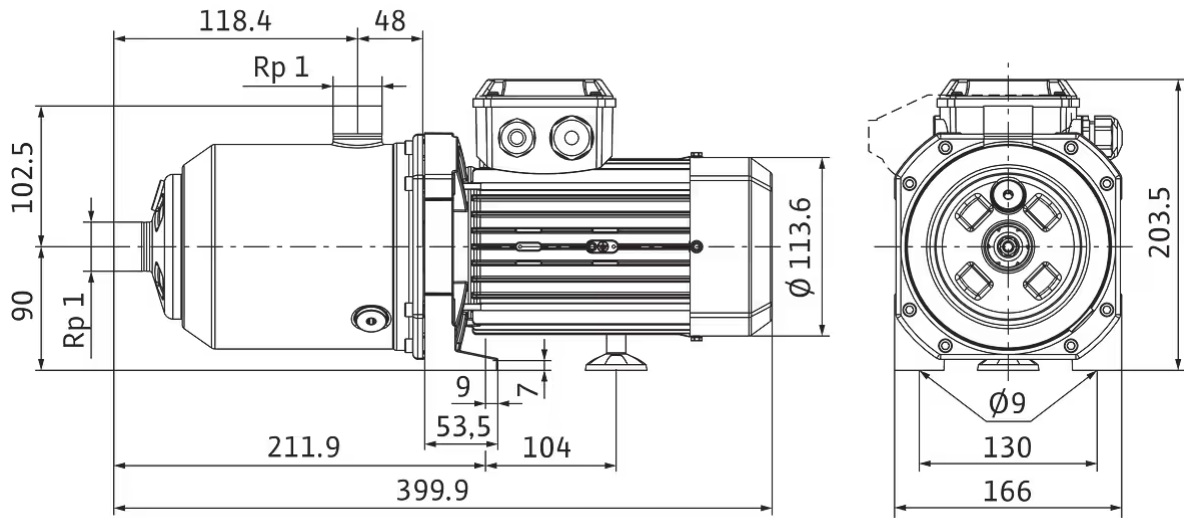
Pump curves



|   |             |
|---|-------------|
| Fluid media                             | Water 100 % |
| Fluid temperature <i>T</i>              | 20.00 °C    |
| speed at duty point <i>n hydr. @ OP</i> | 2,900 1/min |

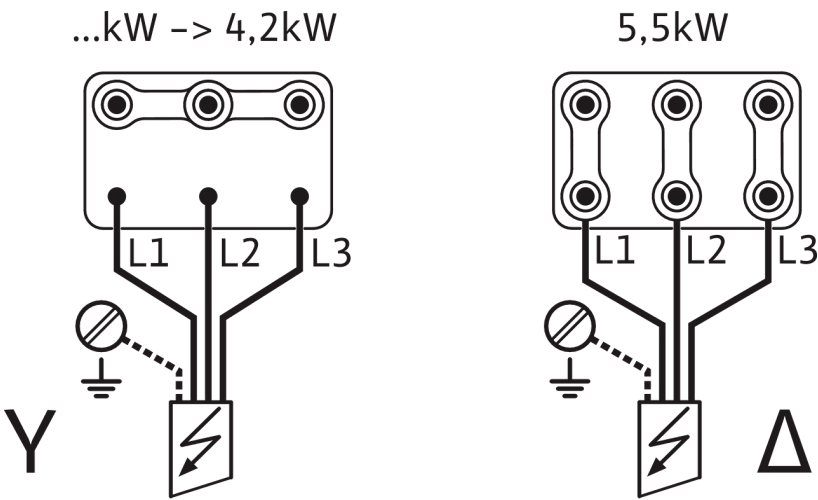
Dimensions and dimensions drawings

Medana CH1-L.404-2/V/E/10T



Wiring diagram

3~ 400 V, 50 Hz, 3~ 380-460 V, 60 Hz



~ 3 400V 50Hz / ~ 3 380-460V 60Hz

### Tender text

The non-self-priming horizontal multistage pump reaches high hydraulic performances. Its compact and robust design with corrosion-resistant components and the usability in ambient temperatures up to 50°C offers a big field of application for pump integration into larger systems.

The pump is suitable for water supply and pressure boosting, industrial circulation systems, process water and cooling water circulation systems. It can also be used in washing systems as well as for irrigation.

### Special features/Product advantages

- > Easy and fast commissioning/maintenance thanks to big holes for pump-filling and emptying
- > High reliability in terms of robustness and noise thanks to the neck ring design and corrosion-resistant lantern with cathophoretic coating
- > Compact design for an easy integration
- > All hydraulic parts which come into contact with the fluid, such as stage chambers, impellers and diffusers and the pump housing are made of stainless steel
- > Drinking water approval for all components that come in contact with the fluid (EPDM version)

### Scope of delivery

- > Pump
- > Installation and operating instructions

### Operating Data

#### Product data

|                                    |        |
|------------------------------------|--------|
| Maximum operating pressure $P_N$   | 10 bar |
| Min. fluid temperature $T_{min}$   | -20 °C |
| Max. fluid temperature $T_{max}$   | 90 °C  |
| Max. ambient temperature $T_{max}$ | 50 °C  |

#### Motor data

|                        |                |
|------------------------|----------------|
| Mains connection       | 3~400 V, 50 Hz |
| Voltage tolerance      | ±10 %          |
| Rated power $P_2$      | 0.55 kW        |
| Rated current $I_N$    | 1.5 A          |
| Rated speed $n$        | 2900 1/min     |
| Insulation class       | F              |
| Protection class       | IP55           |
| Motor efficiency class | IE2            |

### Materials

|                 |                 |
|-----------------|-----------------|
| Pump housing    | Stainless steel |
| Impeller        | Stainless steel |
| Shaft           | Stainless steel |
| Shaft seal      | BQ1VGG          |
| Gasket material | FKM             |

### Installation dimensions

|  |      |
|--|------|
| Pipe connection on the suction side $D_Ns$   | Rp 1 |
| Pipe connection on the discharge side $D_Nd$ | Rp 1 |

### Ordering information

|                         |                            |
|-------------------------|----------------------------|
| Brand                   | Wilo                       |
| Product description     | Medana CH1-L.404-2/V/E/10T |
| Net weight, approx. $m$ | 9.7 kg                     |
| Article number          | <b>4235341</b>             |

## Electrical accessories

### Pump control

#### Wilo-EFC

|                                 |         |
|---------------------------------|---------|
| EFC0.55 3x380-480V 50/60Hz IP55 | 2193430 |
|---------------------------------|---------|

### Pump control/accessories

#### Low-water cut-out switchgear kit for domestic water systems

|   |         |
|---|---------|
| low-water cut-out switchgear kit WMS G 1¼ | 4204510 |
|---|---------|

|   |         |
|---|---------|
| low-water cut-out switchgear kit WMS G2 | 4204512 |
|---|---------|

#### Output filter EFC (150-500 m cable length)

|                                |         |
|--------------------------------|---------|
| 2.4 A sin IP54 Wilo-EFC filter | 6084559 |
|--------------------------------|---------|

|                                |         |
|--------------------------------|---------|
| 2.5 A sin IP00 Wilo-EFC filter | 6084574 |
|--------------------------------|---------|

|                                |         |
|--------------------------------|---------|
| 2.5 A sin IP20 Wilo-EFC filter | 6084900 |
|--------------------------------|---------|

### Pressure control

#### Pressure sensor for systems

|                            |         |
|----------------------------|---------|
| Pressure sensor, 0 - 6 bar | 2550660 |
|----------------------------|---------|

|                             |         |
|-----------------------------|---------|
| Pressure sensor, 0 - 10 bar | 2550661 |
|-----------------------------|---------|

|                             |         |
|-----------------------------|---------|
| Pressure sensor, 0 - 16 bar | 2550662 |
|-----------------------------|---------|

|                             |         |
|-----------------------------|---------|
| Pressure sensor, 0 - 25 bar | 2550663 |
|-----------------------------|---------|

|                             |         |
|-----------------------------|---------|
| Pressure sensor, 0 - 40 bar | 2550664 |
|-----------------------------|---------|

### Level control

#### Float switch WA

|                                  |           |
|----------------------------------|-----------|
| Float switch WA65 with 5 m cable | 503211390 |
|----------------------------------|-----------|

|                                   |           |
|-----------------------------------|-----------|
| Float switch WA65 with 10 m cable | 503211893 |
|-----------------------------------|-----------|

|                                   |         |
|-----------------------------------|---------|
| Float switch WA65 with 20 m cable | 2004431 |
|-----------------------------------|---------|

|                                   |         |
|-----------------------------------|---------|
| Float switch WA65 with 30 m cable | 2004432 |
|-----------------------------------|---------|

|                                      |         |
|--------------------------------------|---------|
| Float switch WA KR1 S with 5 m cable | 6082806 |
|--------------------------------------|---------|

|                                       |         |
|---------------------------------------|---------|
| Float switch WA KR1 S with 10 m cable | 6082807 |
|---------------------------------------|---------|

#### Float switch WA-EK

|                                  |           |
|----------------------------------|-----------|
| Float switch WA EK 65, 5 m cable | 503211698 |
|----------------------------------|-----------|

|                                   |         |
|-----------------------------------|---------|
| Float switch WA EK 65, 10 m cable | 2005516 |
|-----------------------------------|---------|

|                                   |         |
|-----------------------------------|---------|
| Float switch WA EK 65, 20 m cable | 2005517 |
|-----------------------------------|---------|

**Float switch WAO**

|                                 |           |
|---------------------------------|-----------|
| Float switch WAO 65, 5 m cable  | 503211595 |
| Float switch WAO 65, 10 m cable | 2006027   |
| Float switch WAO 65, 20 m cable | 2004429   |
| Float switch WAO 65, 30 m cable | 2004430   |

**Float switch WAO-EK**

|                                   |         |
|-----------------------------------|---------|
| Float switch WAOEK 65, 20 m cable | 2005626 |
|-----------------------------------|---------|

**Immersion probe**

|                                     |           |
|-------------------------------------|-----------|
| Submersible electrode, 3 m          | 500183799 |
| Submersible electrode, 4 m          | 2516278   |
| Submersible electrode, 5 m          | 500937990 |
| Submersible electrode, 10 m         | 2501937   |
| Submersible electrode, 20 m         | 2516283   |
| Submersible electrode, 25 m         | 2000601   |
| Submersible electrode, 30 m         | 2514045   |
| Submersible electrode, 35 m         | 2516284   |
| Submersible electrode, 40 m         | 2516285   |
| Submersible electrode, 50 m         | 2500315   |
| Submersible electrode without cable | 64873     |

**Motor protection**

**PTC thermistor tripping unit**

|                              |           |
|------------------------------|-----------|
| PTC thermistor tripping unit | 509275993 |
|------------------------------|-----------|