



## Data sheet

### Hydraulic data

Maximum operating pressure $P_N$	10 bar
Discharge port	Rp 1
Min. fluid temperature $T_{min}$	-20 °C
Max. fluid temperature $T_{max}$	90 °C
Min. ambient temperature $T_{min}$	-15 °C
Max. ambient temperature $T_{max}$	50 °C

### Motor data

Mains connection	1~230 V, 50 Hz
Voltage tolerance	±10 %
Rated power $P_2$	0.55 kW
Rated current $I_N$	3.6 A
Rated speed $n$	2900 1/min
Insulation class	F
Protection class motor	IP55

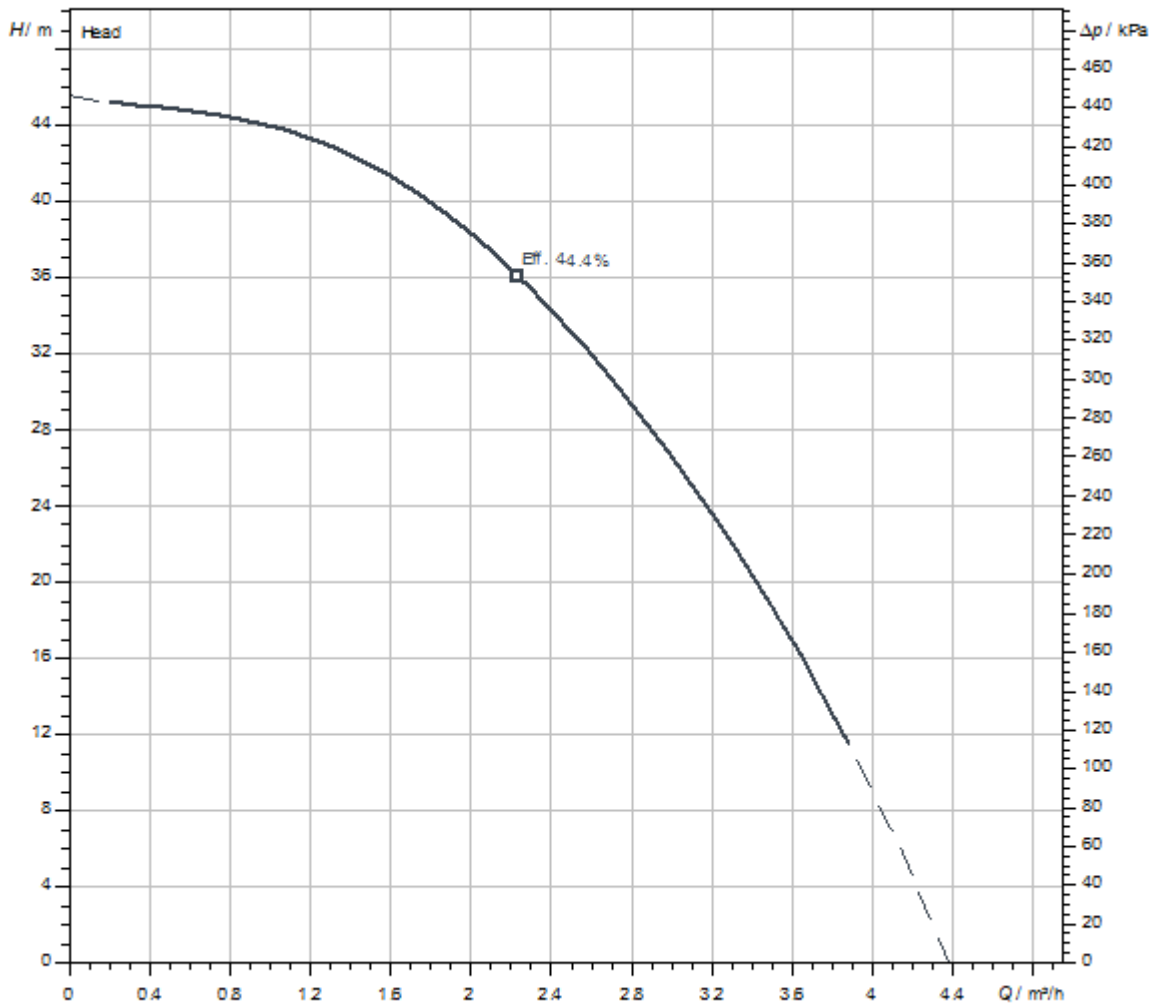
### Materials

Pump housing	Stainless steel
Shaft	Stainless steel
Shaft seal	BQ1VGG
Gasket material	FKM
Impeller	Stainless steel

### Installation dimensions

Pipe connection on the suction side $D_Ns$	Rp 1
Pipe connection on the discharge side $D_Nd$	Rp 1

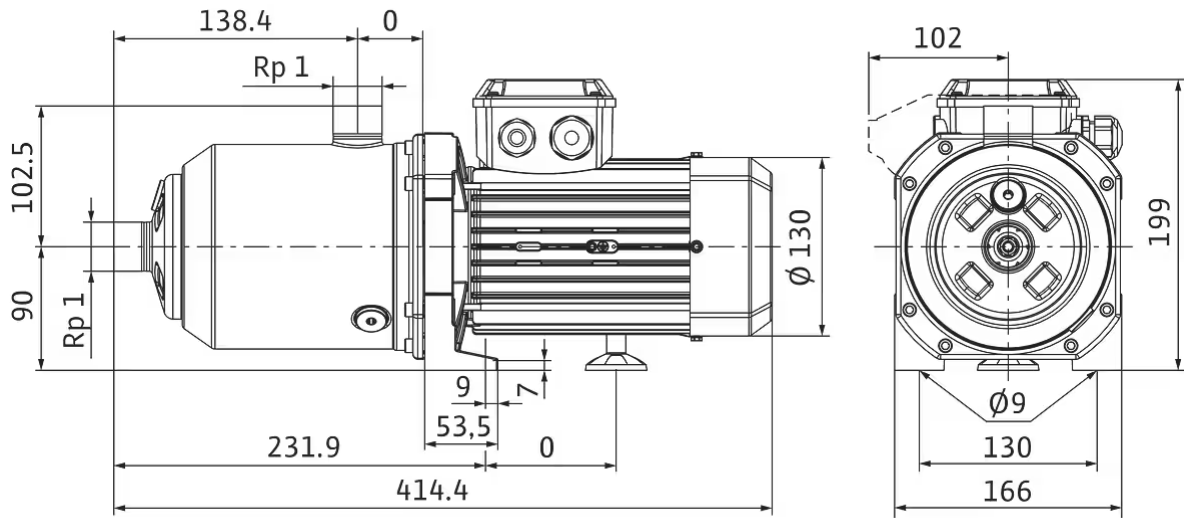
Pump curves



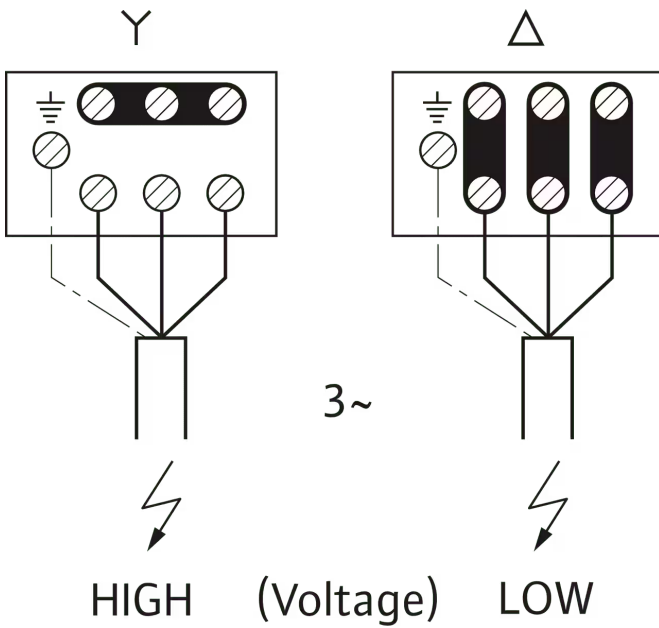
Fluid media	Water 100 %
Fluid temperature <i>T</i>	20.00 °C
speed at duty point <i>n hydr. @ OP</i>	2,900 1/min

Dimensions and dimensions drawings

Medana CH1-L.205-2/V/A/10T



Wiring diagram



## Tender text

The non-self-priming horizontal multistage pump reaches high hydraulic performances. Its compact and robust design with corrosion-resistant components and the usability in ambient temperatures up to 50°C offers a big field of application for pump integration into larger systems.

The pump is suitable for water supply and pressure boosting, industrial circulation systems, process water and cooling water circulation systems. It can also be used in washing systems as well as for irrigation.

## Special features/Product advantages

- Easy and fast commissioning/maintenance thanks to big holes for pump-filling and emptying
- High reliability in terms of robustness and noise thanks to the neck ring design and corrosion-resistant lantern with cathaphoretic coating
- Compact design for an easy integration
- All hydraulic parts which come into contact with the fluid, such as stage chambers, impellers and diffusers and the pump housing are made of stainless steel
- Drinking water approval for all components that come in contact with the fluid (EPDM version)

## Scope of delivery

- Pump
- Installation and operating instructions

## Operating Data

### Product data

Maximum operating pressure $P_N$	10 bar
Min. fluid temperature $T_{min}$	-20 °C
Max. fluid temperature $T_{max}$	90 °C
Max. ambient temperature $T_{max}$	50 °C

### Motor data

Mains connection	1~230 V, 50 Hz
Voltage tolerance	±10 %
Rated power $P_2$	0.55 kW
Rated current $I_N$	3.6 A
Rated speed $n$	2900 1/min
Insulation class	F
Protection class	IP55
Motor efficiency class	IE2

## Materials

Pump housing	Stainless steel
Impeller	Stainless steel
Shaft	Stainless steel
Shaft seal	BQ1VGG
Gasket material	FKM

## Installation dimensions

Pipe connection on the suction side $D_Ns$	Rp 1
Pipe connection on the discharge side $D_Nd$	Rp 1

## Ordering information

Brand	Wilo
Product description	Medana CH1-L.205-2/V/A/10T
Net weight, approx. $m$	12.9 kg
Article number	<b>4235330</b> 