



## Data sheet

### Hydraulic data

Minimum efficiency index (MEI)	≥0.4
Maximum operating pressure $P_N$	16 bar
Min. fluid temperature $T_{min}$	-20 °C
Max. fluid temperature $T_{max}$	120 °C
Min. ambient temperature $T_{min}$	0 °C
Max. ambient temperature $T_{max}$	50 °C

### Drive

Mains connection	3~400 V, 50/60 Hz
Number of poles	4
Motor efficiency class	IE5
Rated power $P_2$	1.5 kW
Rated current $I_N$	2.5 A
Rated speed $n$	2100 1/min
Max. speed $n_{max}$	2540 1/min
Power consumption $P_{1 max}$	1600 W
Emitted interference	EN 61800-3
Interference resistance	EN 61800-3
Insulation class	F
Protection class motor	IP55
Threaded cable connection	1 x M25x1.5

### Materials

Pump housing	Grey cast iron
Impeller	PPE/PS-GF30
Shaft	Stainless steel
Shaft seal	AQ1EGG
Lantern	5.1301/EN-GJL-250 KTL-coated

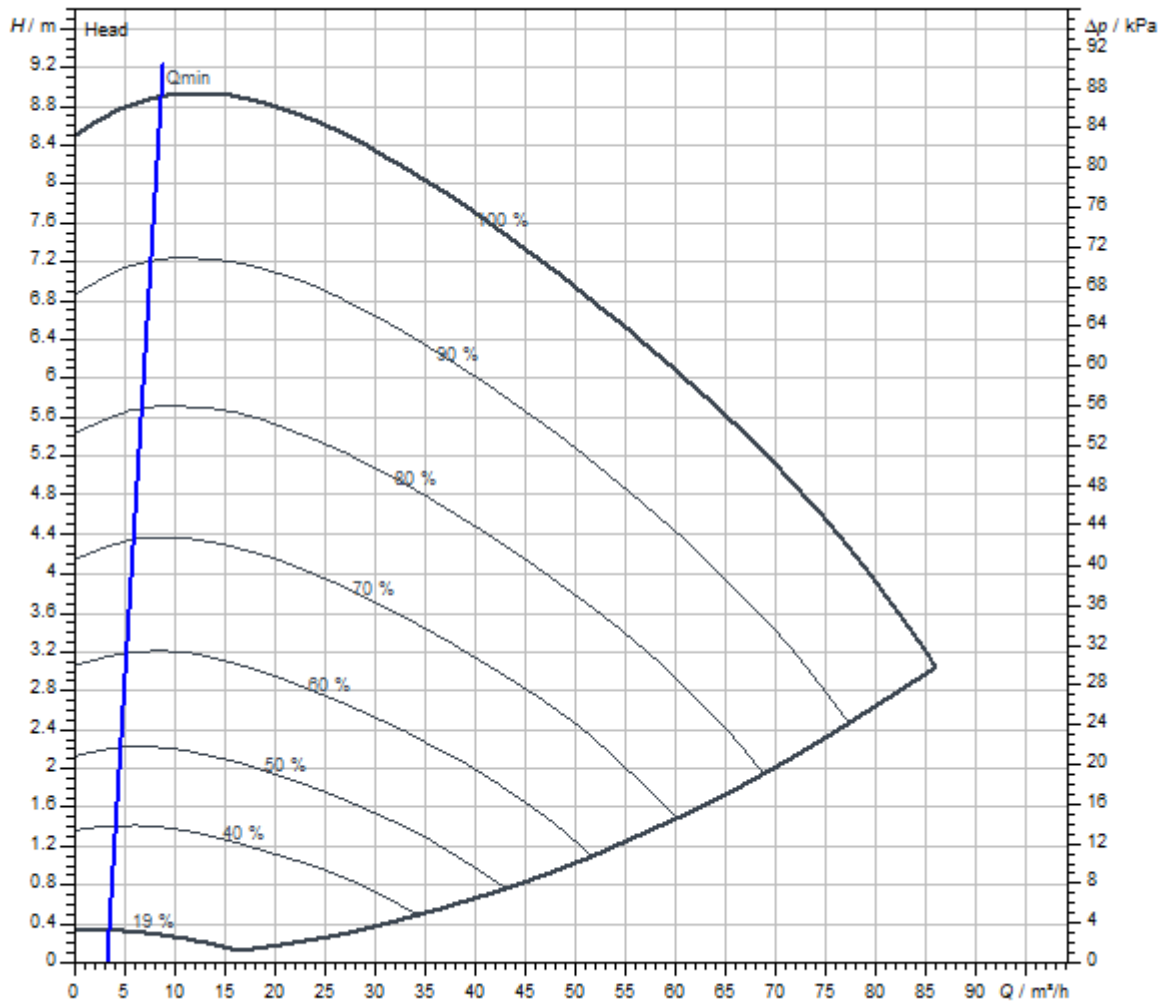
### Approved liquids (other liquids upon request)

Heating water (as per VDI 2035)	yes
Heat carrier oil	Special version at additional charge
Cooling and cold water circulation systems	yes
Water-glycol mixtures (at 20 – 40 vol. % glycol and fluid temperature ≤ 40 °C)	yes

### Installation dimensions

Port-to-port length $L_0$	360 mm
Pipe connection on the suction side $DN_s$	DN 80
Pipe connection on the discharge side $DN_d$	DN 80

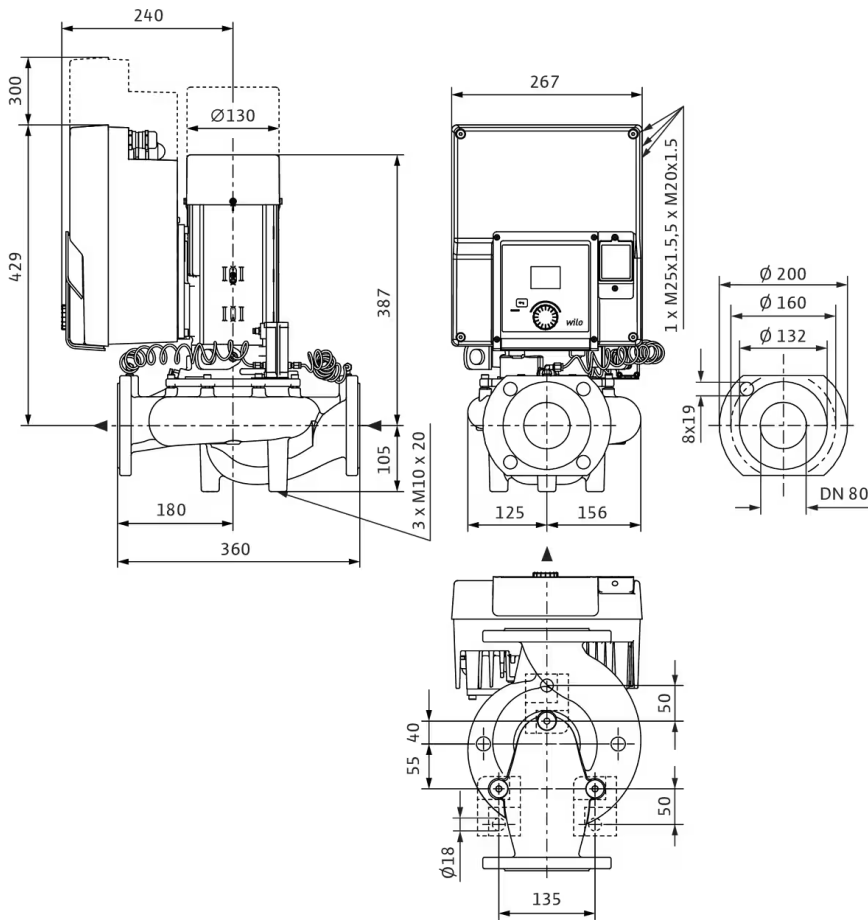
Pump curves



Fluid media	Water 100 %
Fluid temperature <i>T</i>	20.00 °C
speed at duty point <i>n hydr. @ OP</i>	2,540 1/min

Dimensions and dimensions drawings

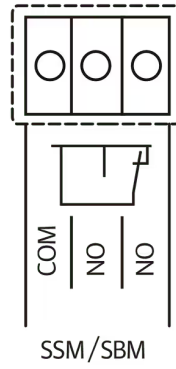
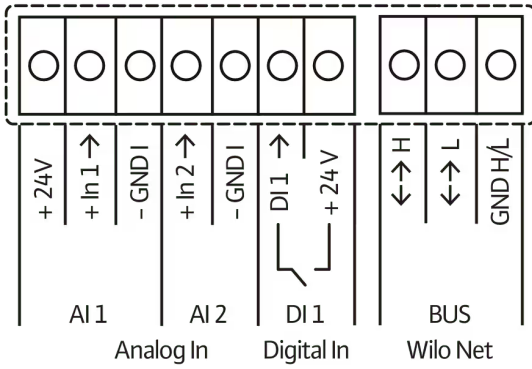
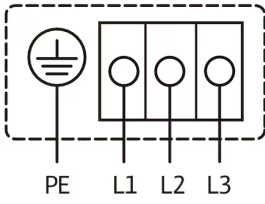
Yonos GIGA2.0-I 80/1-8/1,5



Wiring diagram

3~ 380 V...440 V, 50/60 Hz

3~380V...440V, 50/60 Hz



## Tender text

In-line pump with high energy efficiency with EC motor of energy efficiency class IE5 in accordance with IEC 60034-30-2, hydraulics with minimum efficiency index  $MEI \geq 0.4$  and electronic power adjustment in glanded pump design. The pump is configured as a single-stage low-pressure centrifugal pump with flange connection and mechanical seal. The **Yonos GIGA2.0-I** has been predominantly designed for pumping heating water (acc. to VDI 2035), cold water and water-glycol mixtures without abrasive substances in heating, air conditioning and cooling systems.

### Design:

- > Single-stage low-pressure centrifugal pump with one-piece shaft in monobloc design
- > Spiral housing in in-line design (suction and discharge ports with the same flanges in a line)
- > PN 16 flange – in accordance with EN 1092-2
- > Pressure measuring connections (R 1/8) for mounted differential pressure sensor (version ...-R1 without differential pressure sensor)
- > Pump housing and lantern/motor flange with cathoretic coating as standard
- > Mechanical seal for pumping water up to  $T_{max.} = +120\text{ °C}$ . A glycol admixture of 20 % to +40 % by volume is permitted up to  $T \leq +40\text{ °C}$ . An alternative mechanical seal must be provided in water-glycol mixtures with glycol proportions > 40 % up to max. 50 % by volume and a fluid temperature of > +40 °C up to max. +120 °C or fluids other than water. When using water-glycol mixtures, the use of an S1 variant with a corresponding mechanical seal is generally recommended.
- > Connection voltages:
  - > 3~440 V  $\pm 10\%$  50/60 Hz; 3~400 V  $\pm 10\%$  50/60 Hz; 3~380 V -5 % +10 % 50/60 Hz
  - > Version M-: 1~220 V ... 240 V ( $\pm 10\%$ ), 50/60 Hz
- > Compliance with electromagnetic compatibility without additional measures
  - > Interference emission for residential environment according to EN 61800-3:2018
  - > Interference immunity for industrial environments according to EN 61800-3:2018

### Control modes:

- > Variable differential pressure (**dp-v**)
- > Constant differential pressure (**dp-c**)
- > Constant speed (**n-const.**)
- > User-defined **PID** control

### Functions:

- > **Operating modes of twin-head pump:**
  - Main/standby operation**, efficiency-optimised **parallel operation** for dp-c and dp-v
- > Integrated **full motor protection**

### Display in the "Home screen" of the graphic display:

- > Control mode currently set
- > Current setpoint
- > Current actual value
- > Current volume flow (only if a differential pressure sensor is connected)
- > Current power consumption

### Version:

- > **1 analogue input:** 0 ... 10 V, 2 ... 10 V, 0 ... 20 mA, 4 ... 20 mA only for sensor value from differential pressure sensor
- > **1 analogue input:** 0 ... 10 V, 2 ... 10 V, 0 ... 20 mA, 4 ... 20 mA only for external setpoint sensor
- > **1 digital input** (Ext. OFF)
- > **2 Signal relays** for **run signals and fault messages**
- > **Slot for Wilo-CIF modules** with interfaces for building automation (BA) (optional accessories: CIF modules Ethernet, Modbus RTU, BACnet MS/TP, LON, PLR, CAN)
- > **Wilo Net** as Wilo system bus for communication during twin-head pump operation
- > **Automatic emergency operation** with definable pump speed for exceptional circumstances, e.g. bus communication or sensor value malfunction
- > **Rotatable, graphic colour display** (2 inches) with one button manual operation level
- > Integrated **dual pump management** (twin-head pumps are prewired) when using 2 single pumps as twin-head pump unit (connection via Wilo Net)
- > **Cable break detection** when using an analogue signal (in connection with 2 ... 10 V or 4 ... 20 mA)
- > Standard **condensate drainage holes** in the motor housing (closed upon delivery)
- > **Air vent valve** on the lantern

### Scope of delivery:

- > Pump
- > Installation and operating instructions and declaration of conformity

**Accessories** must be ordered separately:

3 mounting brackets with fixation material for installation on a base

- > Blind flanges for twin-head pump housing
- > For connection to building automation:
  - > CIF module PLR
  - > CIF module LON
  - > CIF module BACnet MS/TP
  - > Modbus RTU CIF module
  - > CIF module CANopen
  - > CIF module Ethernet Multi-protocol (Modbus TCP, BACnet/IP)
  - > Connection M12 RJ45 CIF Ethernet
- > Differential pressure sensor DPS 2 ... 10 V
- > Differential pressure sensor DPS 4 ... 20 mA

### Operating Data

Min. fluid temperature $T_{\min}$	-20 °C
Max. fluid temperature $T_{\max}$	120 °C
Min. ambient temperature $T_{\min}$	0 °C
Max. ambient temperature $T_{\max}$	50 °C
Maximum operating pressure $P_N$	16 bar
Minimum efficiency index (MEI)	$\geq 0.4$

### Motor data

Motor efficiency class	IE5
Emitted interference	EN 61800-3
Interference resistance	EN 61800-3
Mains connection	3~400 V, 50/60 Hz
Rated power $P_2$	1500 W
Max. speed $n_{\max}$	2540 1/min
Rated current $I_N$	2.5 A
Insulation class	F
Protection class motor	IP55
Motor protection	PTC integrated


### Materials

Pump housing	Grey cast iron
Impeller	PPE/PS-GF30
Shaft	Stainless steel
Shaft seal	AQ1EGG
Lantern	5.1301/EN-GJL-250 KTL-coated

### Installation dimensions

Pipe connection on the suction side $DN_s$	DN 80
Pipe connection on the discharge side $DN_d$	DN 80
Port-to-port length $L_0$	360 mm

### Ordering information

Brand	Wilo
Product description	Yonos GIGA2.0-I 80/1-8/1,5
Net weight, approx. $m$	42.2 kg
Article number	<b>2205004</b> 

## Installation type

### Continuous, infinitely variable control, differential pressure-sensitive CCe-HVAC system

#### CCe-HVAC system

CCe-HVAC system 1 x 0.75	2536658
CCe-HVAC system 2 x 0.75	2536659
CCe-HVAC system 3 x 0.75	2536660
CCe-HVAC system 4 x 0.75	2536661
CCe-HVAC system 5 x 0.75	2536662
CCe-HVAC system 6 x 0.75	2536663

#### Antenna GSM/GPRS

D-network dual-band antenna with 3 m cable	2533862
D-network tri-band antenna 10 m cable	2533863
D-network tri-band antenna 15 m cable	2533864

#### DDG impulse selector

DDG impulse selector	2533770
----------------------	---------

#### BMS base module

BMS base module	2533800
-----------------	---------

#### CC communication module BACnet

CC-communication module BACnet IP (slave)	2537051
CC-communication module BACnet MS/TP (slave)	2537050

#### Communication module LON

Communication module LON	2533868
--------------------------	---------

#### Communication module ModBus

Communication module Modbus RTU	2533869
---------------------------------	---------

#### Communication module Profibus

Communication module Profibus DP	2533866
----------------------------------	---------

#### Communication module CC

CC communication module	2533850
-------------------------	---------

#### Communication module GSM

GSM module	2533861
------------	---------

### Pump signalling module

Signalling module pump 1-2	2533812
Signalling module pump 3-6	2533836

### Signal converter retrofit kit

Signal converter 0-10 V / 0-20 mA	2534992
-----------------------------------	---------

### Connection cable control modules/signalling modules

Control modules connecting cable	2533790
Signalling modules connecting cable	2533890

### DDG transducer

DDG transducer	501771990
----------------	-----------

### DDG power supply unit

DDG power supply unit	501865293
-----------------------	-----------

### Extension kit differential pressure sensor for Y-piece application

Extension for DDG-kit	2166098
-----------------------	---------

## Continuous, infinitely variable control, temperature-dependent CCe-HVAC system

### CCe-HVAC system

CCe-HVAC system 1 x 0.75	2536658
CCe-HVAC system 2 x 0.75	2536659
CCe-HVAC system 3 x 0.75	2536660
CCe-HVAC system 4 x 0.75	2536661
CCe-HVAC system 5 x 0.75	2536662
CCe-HVAC system 6 x 0.75	2536663

### Antenna GSM/GPRS

D-network dual-band antenna with 3 m cable	2533862
D-network tri-band antenna 10 m cable	2533863
D-network tri-band antenna 15 m cable	2533864

### BMS base module

BMS base module	2533800
-----------------	---------

### CC communication module BACnet

CC-communication module BACnet IP (slave)	2537051
CC-communication module BACnet MS/TP (slave)	2537050



#### Communication module LON

Communication module LON	2533868
--------------------------	---------

#### Communication module ModBus

Communication module Modbus RTU	2533869
---------------------------------	---------

#### Communication module Profibus

Communication module Profibus DP	2533866
----------------------------------	---------

#### Communication module CC

CC communication module	2533850
-------------------------	---------

#### Communication module GSM

GSM module	2533861
------------	---------

#### Pump signalling module

Signalling module pump 1-2	2533812
----------------------------	---------

Signalling module pump 3-6	2533836
----------------------------	---------

#### Signal converter retrofit kit

Signal converter 0-10 V / 0-20 mA	2534992
-----------------------------------	---------

#### Temperature module

Temperature module for systems with 1-3 pumps	2534991
---	---------

Temperature module for systems with 4-6 pumps	2533771
---	---------

#### Connection cable control modules/signalling modules

Control modules connecting cable	2533790
----------------------------------	---------

Signalling modules connecting cable	2533890
-------------------------------------	---------

### Continuous, infinitely variable control, differential pressure-sensitive SCe-HVAC system

#### SCe-HVAC system

SCe-HVAC system 1x10A-WM	2545254
--------------------------	---------

SCe-HVAC system 2x10A-WM	2545255
--------------------------	---------

SCe-HVAC system 3x10A-WM	2545256
--------------------------	---------

SCe-HVAC system 4x10A-WM	2545257
--------------------------	---------

#### Antenna GSM/GPRS

D-network dual-band antenna with 3 m cable	2533862
--	---------

D-network tri-band antenna 10 m cable	2533863
---------------------------------------	---------

D-network tri-band antenna 15 m cable	2533864
---------------------------------------	---------

---

**DDG impulse selector**

DDG impulse selector	2533770
----------------------	---------

---

**Communication module LON (SC)**

Communication module LON (SC)	2538243
-------------------------------	---------

---

**SC communication module BACnet**

SC-communication module BACnet MS/TP (slave)	2538242
--	---------

---

**Communication module GSM (SC)**

Communication module GSM (SC)	2542216
-------------------------------	---------

---

**Pump signalling module**

Signalling module pump 1-2	2533812
----------------------------	---------

Signalling module pump 3-6	2533836
----------------------------	---------

---

**SC-HVAC signal board**

SC-HVAC signal board	2119646
----------------------	---------

---

**DDG transducer**

DDG transducer	501771990
----------------	-----------

---

**DDG power supply unit**

DDG power supply unit	501865293
-----------------------	-----------

---

**Extension kit differential pressure sensor for Y-piece application**

Extension for DDG-kit	2166098
-----------------------	---------

---

**Continuous, infinitely variable control, temperature-dependent SCe-HVAC system**


---

**SCe-HVAC system**

SCe-HVAC system 1x10A-WM	2545254
--------------------------	---------

SCe-HVAC system 2x10A-WM	2545255
--------------------------	---------

SCe-HVAC system 3x10A-WM	2545256
--------------------------	---------

SCe-HVAC system 4x10A-WM	2545257
--------------------------	---------

---

**Antenna GSM/GPRS**

D-network dual-band antenna with 3 m cable	2533862
--	---------

D-network tri-band antenna 10 m cable	2533863
---------------------------------------	---------

D-network tri-band antenna 15 m cable	2533864
---------------------------------------	---------

---

**Communication module LON (SC)**


---

Communication module LON (SC)	2538243
<b>SC communication module BACnet</b>	
SC-communication module BACnet MS/TP (slave)	2538242
<b>Communication module GSM (SC)</b>	
Communication module GSM (SC)	2542216
<b>Pump signalling module</b>	
Signalling module pump 1-2	2533812
Signalling module pump 3-6	2533836
<b>SC-HVAC signal board</b>	
SC-HVAC signal board	2119646