



## Data sheet

### Hydraulic data

|                                    |        |
|------------------------------------|--------|
| Minimum efficiency index (MEI)     | ≥0.4   |
| Maximum operating pressure $P_N$   | 16 bar |
| Min. fluid temperature $T_{min}$   | -20 °C |
| Max. fluid temperature $T_{max}$   | 120 °C |
| Min. ambient temperature $T_{min}$ | 0 °C   |
| Max. ambient temperature $T_{max}$ | 50 °C  |

### Drive

|                               |                   |
|-------------------------------|-------------------|
| Mains connection              | 3~400 V, 50/60 Hz |
| Number of poles               | 4                 |
| Motor efficiency class        | IE5               |
| Rated power $P_2$             | 0.55 kW           |
| Rated current $I_N$           | 1.2 A             |
| Rated speed $n$               | 2000 1/min        |
| Max. speed $n_{max}$          | 2000 1/min        |
| Power consumption $P_{1 max}$ | 700 W             |
| Emitted interference          | EN 61800-3        |
| Interference resistance       | EN 61800-3        |
| Insulation class              | F                 |
| Protection class motor        | IP55              |
| Threaded cable connection     | 1 x M25x1.5       |

### Materials

|              |                              |
|--------------|------------------------------|
| Pump housing | Grey cast iron               |
| Impeller     | PPE/PS-GF30                  |
| Shaft        | Stainless steel              |
| Shaft seal   | AQ1EGG                       |
| Lantern      | 5.1301/EN-GJL-250 KTL-coated |

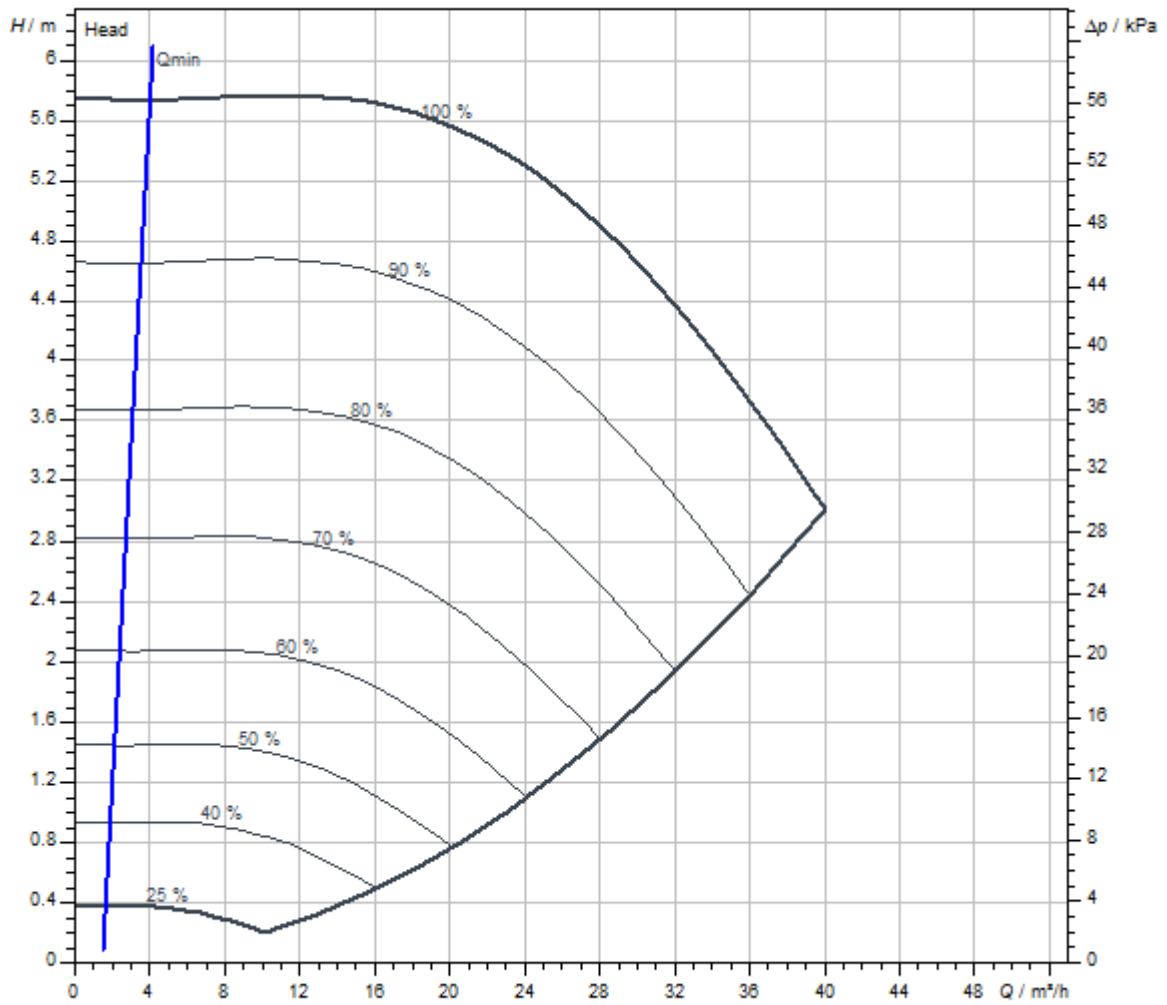
### Approved liquids (other liquids upon request)

|  |                                      |
|--|--------------------------------------|
| Heating water (as per VDI 2035)  | yes                                  |
| Heat carrier oil   | Special version at additional charge |
| Cooling and cold water circulation systems                                     | yes                                  |
| Water-glycol mixtures (at 20 – 40 vol. % glycol and fluid temperature ≤ 40 °C) | yes                                  |

### Installation dimensions

|  |        |
|--|--------|
| Port-to-port length $L_0$                    | 340 mm |
| Pipe connection on the suction side $DN_s$   | DN 65  |
| Pipe connection on the discharge side $DN_d$ | DN 65  |

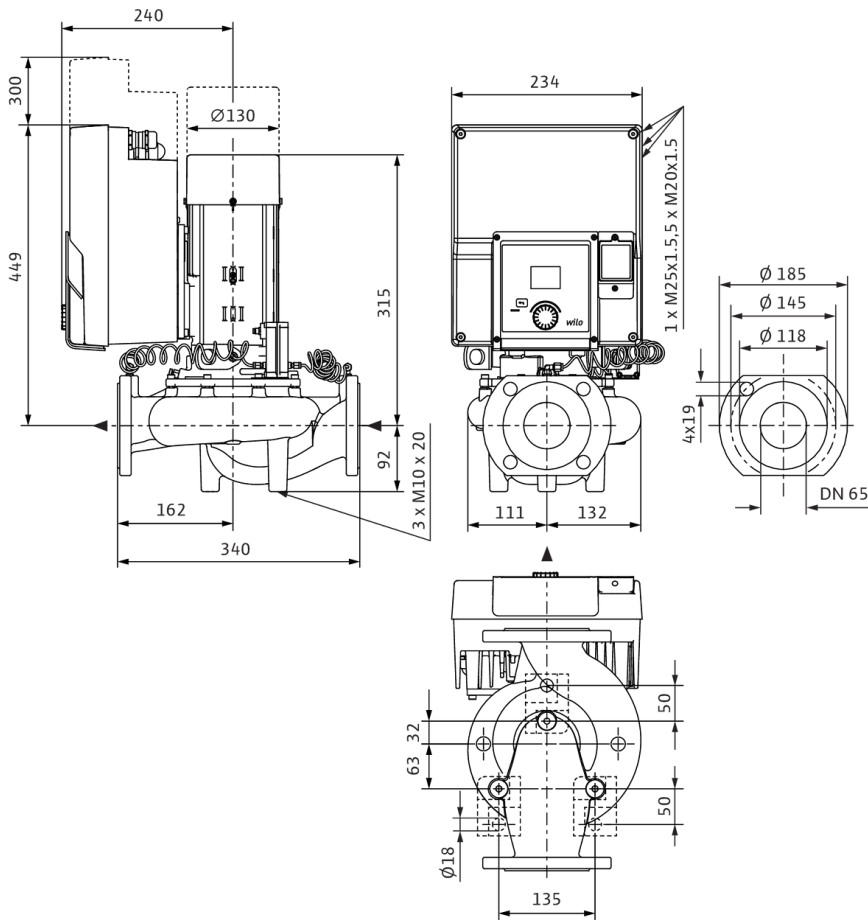
Pump curves



|   |             |
|---|-------------|
| Fluid media                             | Water 100 % |
| Fluid temperature <i>T</i>              | 20.00 °C    |
| speed at duty point <i>n hydr. @ OP</i> | 2,002 1/min |

Dimensions and dimensions drawings

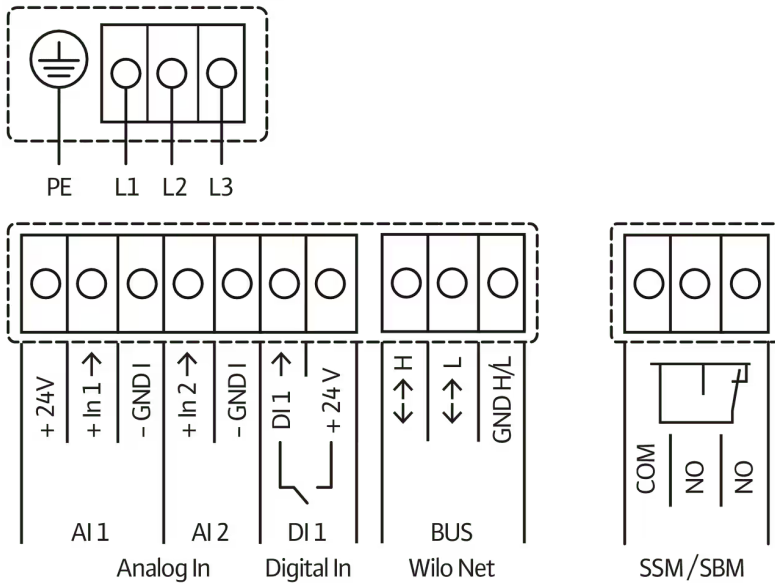
Yonos GIGA2.0-I 65/1-5/0,55



## Wiring diagram

3~ 380 V...440 V, 50/60 Hz

3~380V...440V, 50/60 Hz



## Ordering information

### Product data

|                            |                             |
|----------------------------|-----------------------------|
| Brand                      | Wilo                        |
| Product description        | Yonos GIGA2.0-I 65/1-5/0,55 |
| Article number             | <b>2204997</b>              |
| EAN number                 | 4062679106687               |
| Colour                     | Green/black/grey            |
| Minimum order quantity     | 1                           |
| Date of sales availability | 2022-05-01                  |

### Packaging

|                    |                     |
|--------------------|---------------------|
| Packaging type     | Cardboard box       |
| Packaging property | Transport packaging |
| Pieces per pallet  | 1                   |
| Number per layer   | 1                   |

### Dimension, weight

|                                |        |
|--------------------------------|--------|
| Length with packaging          | 800 mm |
| Length <i>L</i>                | 541 mm |
| Height with packaging          | 525 mm |
| Height <i>H</i>                | 418 mm |
| Width with packaging           | 600 mm |
| Width <i>W</i>                 | 249 mm |
| Gross weight, approx. <i>m</i> | 39 kg  |
| Net weight, approx. <i>m</i>   | 32 kg  |

## Tender text

In-line pump with high energy efficiency with EC motor of energy efficiency class IE5 in accordance with IEC 60034-30-2, hydraulics with minimum efficiency index  $MEI \geq 0.4$  and electronic power adjustment in glanded pump design. The pump is configured as a single-stage low-pressure centrifugal pump with flange connection and mechanical seal. The **Yonos GIGA2.0-I** has been predominantly designed for pumping heating water (acc. to VDI 2035), cold water and water-glycol mixtures without abrasive substances in heating, air conditioning and cooling systems.

### Design:

- > Single-stage low-pressure centrifugal pump with one-piece shaft in monobloc design
- > Spiral housing in in-line design (suction and discharge ports with the same flanges in a line)
- > PN 16 flange – in accordance with EN 1092-2
- > Pressure measuring connections (R 1/8) for mounted differential pressure sensor (version ...-R1 without differential pressure sensor)
- > Pump housing and lantern/motor flange with cathoretic coating as standard
- > Mechanical seal for pumping water up to  $T_{max.} = +120\text{ °C}$ . A glycol admixture of 20 % to +40 % by volume is permitted up to  $T \leq +40\text{ °C}$ . An alternative mechanical seal must be provided in water-glycol mixtures with glycol proportions > 40 % up to max. 50 % by volume and a fluid temperature of > +40 °C up to max. +120 °C or fluids other than water. When using water-glycol mixtures, the use of an S1 variant with a corresponding mechanical seal is generally recommended.
- > Connection voltages:
  - > 3~440 V  $\pm 10\%$  50/60 Hz; 3~400 V  $\pm 10\%$  50/60 Hz; 3~380 V -5 % +10 % 50/60 Hz
  - > Version M-: 1~220 V ... 240 V ( $\pm 10\%$ ), 50/60 Hz
- > Compliance with electromagnetic compatibility without additional measures
  - > Interference emission for residential environment according to EN 61800-3:2018
  - > Interference immunity for industrial environments according to EN 61800-3:2018

### Control modes:

- > Variable differential pressure (**dp-v**)
- > Constant differential pressure (**dp-c**)
- > Constant speed (**n-const.**)
- > User-defined **PID** control

### Functions:

- > **Operating modes of twin-head pump:**  
**Main/standby operation**, efficiency-optimised **parallel operation** for dp-c and dp-v
- > Integrated **full motor protection**

### Display in the "Home screen" of the graphic display:

- > Control mode currently set
- > Current setpoint
- > Current actual value
- > Current volume flow (only if a differential pressure sensor is connected)
- > Current power consumption

### Version:

- > **1 analogue input:** 0 ... 10 V, 2 ... 10 V, 0 ... 20 mA, 4 ... 20 mA only for sensor value from differential pressure sensor
- > **1 analogue input:** 0 ... 10 V, 2 ... 10 V, 0 ... 20 mA, 4 ... 20 mA only for external setpoint sensor
- > **1 digital input** (Ext. OFF)
- > **2 Signal relays** for **run signals and fault messages**
- > **Slot for Wilo-CIF modules** with interfaces for building automation (BA) (optional accessories: CIF modules Ethernet, Modbus RTU, BACnet MS/TP, LON, PLR, CAN)
- > **Wilo Net** as Wilo system bus for communication during twin-head pump operation
- > **Automatic emergency operation** with definable pump speed for exceptional circumstances, e.g. bus communication or sensor value malfunction
- > **Rotatable, graphic colour display** (2 inches) with one button manual operation level
- > Integrated **dual pump management** (twin-head pumps are prewired) when using 2 single pumps as twin-head pump unit (connection via Wilo Net)
- > **Cable break detection** when using an analogue signal (in connection with 2 ... 10 V or 4 ... 20 mA)
- > Standard **condensate drainage holes** in the motor housing (closed upon delivery)
- > **Air vent valve** on the lantern

### Scope of delivery:

- > Pump
- > Installation and operating instructions and declaration of conformity

**Accessories** must be ordered separately:

3 mounting brackets with fixation material for installation on a base

- > Blind flanges for twin-head pump housing
- > For connection to building automation:
  - > CIF module PLR
  - > CIF module LON
  - > CIF module BACnet MS/TP
  - > Modbus RTU CIF module
  - > CIF module CANopen
  - > CIF module Ethernet Multi-protocol (Modbus TCP, BACnet/IP)
  - > Connection M12 RJ45 CIF Ethernet
- > Differential pressure sensor DPS 2 ... 10 V
- > Differential pressure sensor DPS 4 ... 20 mA

### Operating Data

|                                     |            |
|-------------------------------------|------------|
| Min. fluid temperature $T_{\min}$   | -20 °C     |
| Max. fluid temperature $T_{\max}$   | 120 °C     |
| Min. ambient temperature $T_{\min}$ | 0 °C       |
| Max. ambient temperature $T_{\max}$ | 50 °C      |
| Maximum operating pressure $P_N$    | 16 bar     |
| Minimum efficiency index (MEI)      | $\geq 0.4$ |

### Motor data

|                         |                   |
|-------------------------|-------------------|
| Motor efficiency class  | IE5               |
| Emitted interference    | EN 61800-3        |
| Interference resistance | EN 61800-3        |
| Mains connection        | 3~400 V, 50/60 Hz |
| Rated power $P_2$       | 550 W             |
| Max. speed $n_{\max}$   | 2000 1/min        |
| Rated current $I_N$     | 1.2 A             |
| Insulation class        | F                 |
| Protection class motor  | IP55              |
| Motor protection        | PTC integrated    |


### Materials

|              |                              |
|--------------|------------------------------|
| Pump housing | Grey cast iron               |
| Impeller     | PPE/PS-GF30                  |
| Shaft        | Stainless steel              |
| Shaft seal   | AQ1EGG                       |
| Lantern      | 5.1301/EN-GJL-250 KTL-coated |

### Installation dimensions

|  |        |
|--|--------|
| Pipe connection on the suction side $DN_s$   | DN 65  |
| Pipe connection on the discharge side $DN_d$ | DN 65  |
| Port-to-port length $L_0$                    | 340 mm |

### Ordering information

|                         |  |
|-------------------------|--|
| Brand                   | Wilo   |
| Product description     | Yonos GIGA2.0-I 65/1-5/0,55  |
| Net weight, approx. $m$ | 32 kg  |
| Article number          | <b>2204997</b>  |

## Installation type

### Continuous, infinitely variable control, differential pressure-sensitive CCe-HVAC system

#### CCe-HVAC system

|                          |         |
|--------------------------|---------|
| CCe-HVAC system 1 x 0.37 | 2536646 |
| CCe-HVAC system 2 x 0.37 | 2536647 |
| CCe-HVAC system 3 x 0.37 | 2536648 |
| CCe-HVAC system 4 x 0.37 | 2536649 |
| CCe-HVAC system 5 x 0.37 | 2536650 |
| CCe-HVAC system 6 x 0.37 | 2536651 |

#### Antenna GSM/GPRS

|  |         |
|--|---------|
| D-network dual-band antenna with 3 m cable | 2533862 |
| D-network tri-band antenna 10 m cable      | 2533863 |
| D-network tri-band antenna 15 m cable      | 2533864 |

#### DDG impulse selector

|                      |         |
|----------------------|---------|
| DDG impulse selector | 2533770 |
|----------------------|---------|

#### BMS base module

|                 |         |
|-----------------|---------|
| BMS base module | 2533800 |
|-----------------|---------|

#### CC communication module BACnet

|  |         |
|--|---------|
| CC-communication module BACnet IP (slave)    | 2537051 |
| CC-communication module BACnet MS/TP (slave) | 2537050 |

#### Communication module LON

|                          |         |
|--------------------------|---------|
| Communication module LON | 2533868 |
|--------------------------|---------|

#### Communication module ModBus

|                                 |         |
|---------------------------------|---------|
| Communication module Modbus RTU | 2533869 |
|---------------------------------|---------|

#### Communication module Profibus

|                                  |         |
|----------------------------------|---------|
| Communication module Profibus DP | 2533866 |
|----------------------------------|---------|

#### Communication module CC

|                         |         |
|-------------------------|---------|
| CC communication module | 2533850 |
|-------------------------|---------|

#### Communication module GSM

|            |         |
|------------|---------|
| GSM module | 2533861 |
|------------|---------|

### Pump signalling module

|                            |         |
|----------------------------|---------|
| Signalling module pump 1-2 | 2533812 |
| Signalling module pump 3-6 | 2533836 |

### Signal converter retrofit kit

|                                   |         |
|-----------------------------------|---------|
| Signal converter 0-10 V / 0-20 mA | 2534992 |
|-----------------------------------|---------|

### Connection cable control modules/signalling modules

|                                     |         |
|-------------------------------------|---------|
| Control modules connecting cable    | 2533790 |
| Signalling modules connecting cable | 2533890 |

### DDG transducer

|                |           |
|----------------|-----------|
| DDG transducer | 501771990 |
|----------------|-----------|

### DDG power supply unit

|                       |           |
|-----------------------|-----------|
| DDG power supply unit | 501865293 |
|-----------------------|-----------|

### Extension kit differential pressure sensor for Y-piece application

|                       |         |
|-----------------------|---------|
| Extension for DDG-kit | 2166098 |
|-----------------------|---------|

## Continuous, infinitely variable control, temperature-dependent CCe-HVAC system

### CCe-HVAC system

|                          |         |
|--------------------------|---------|
| CCe-HVAC system 1 x 0.37 | 2536646 |
| CCe-HVAC system 2 x 0.37 | 2536647 |
| CCe-HVAC system 3 x 0.37 | 2536648 |
| CCe-HVAC system 4 x 0.37 | 2536649 |
| CCe-HVAC system 5 x 0.37 | 2536650 |
| CCe-HVAC system 6 x 0.37 | 2536651 |

### Antenna GSM/GPRS

|  |         |
|--|---------|
| D-network dual-band antenna with 3 m cable | 2533862 |
| D-network tri-band antenna 10 m cable      | 2533863 |
| D-network tri-band antenna 15 m cable      | 2533864 |

### BMS base module

|                 |         |
|-----------------|---------|
| BMS base module | 2533800 |
|-----------------|---------|

### CC communication module BACnet

|  |         |
|--|---------|
| CC-communication module BACnet IP (slave)    | 2537051 |
| CC-communication module BACnet MS/TP (slave) | 2537050 |



#### Communication module LON

|                          |         |
|--------------------------|---------|
| Communication module LON | 2533868 |
|--------------------------|---------|

#### Communication module ModBus

|                                 |         |
|---------------------------------|---------|
| Communication module Modbus RTU | 2533869 |
|---------------------------------|---------|

#### Communication module Profibus

|                                  |         |
|----------------------------------|---------|
| Communication module Profibus DP | 2533866 |
|----------------------------------|---------|

#### Communication module CC

|                         |         |
|-------------------------|---------|
| CC communication module | 2533850 |
|-------------------------|---------|

#### Communication module GSM

|            |         |
|------------|---------|
| GSM module | 2533861 |
|------------|---------|

#### Pump signalling module

|                            |         |
|----------------------------|---------|
| Signalling module pump 1-2 | 2533812 |
|----------------------------|---------|

|                            |         |
|----------------------------|---------|
| Signalling module pump 3-6 | 2533836 |
|----------------------------|---------|

#### Signal converter retrofit kit

|                                   |         |
|-----------------------------------|---------|
| Signal converter 0-10 V / 0-20 mA | 2534992 |
|-----------------------------------|---------|

#### Temperature module

|   |         |
|---|---------|
| Temperature module for systems with 1-3 pumps | 2534991 |
|---|---------|

|   |         |
|---|---------|
| Temperature module for systems with 4-6 pumps | 2533771 |
|---|---------|

#### Connection cable control modules/signalling modules

|                                  |         |
|----------------------------------|---------|
| Control modules connecting cable | 2533790 |
|----------------------------------|---------|

|                                     |         |
|-------------------------------------|---------|
| Signalling modules connecting cable | 2533890 |
|-------------------------------------|---------|

### Continuous, infinitely variable control, differential pressure-sensitive SCe-HVAC system

#### SCe-HVAC system

|                          |         |
|--------------------------|---------|
| SCe-HVAC system 1x10A-WM | 2545254 |
|--------------------------|---------|

|                          |         |
|--------------------------|---------|
| SCe-HVAC system 2x10A-WM | 2545255 |
|--------------------------|---------|

|                          |         |
|--------------------------|---------|
| SCe-HVAC system 3x10A-WM | 2545256 |
|--------------------------|---------|

|                          |         |
|--------------------------|---------|
| SCe-HVAC system 4x10A-WM | 2545257 |
|--------------------------|---------|

#### Antenna GSM/GPRS

|  |         |
|--|---------|
| D-network dual-band antenna with 3 m cable | 2533862 |
|--|---------|

|                                       |         |
|---------------------------------------|---------|
| D-network tri-band antenna 10 m cable | 2533863 |
|---------------------------------------|---------|

|                                       |         |
|---------------------------------------|---------|
| D-network tri-band antenna 15 m cable | 2533864 |
|---------------------------------------|---------|

---

**DDG impulse selector**

|                      |         |
|----------------------|---------|
| DDG impulse selector | 2533770 |
|----------------------|---------|

---

**Communication module LON (SC)**

|                               |         |
|-------------------------------|---------|
| Communication module LON (SC) | 2538243 |
|-------------------------------|---------|

---

**SC communication module BACnet**

|  |         |
|--|---------|
| SC-communication module BACnet MS/TP (slave) | 2538242 |
|--|---------|

---

**Communication module GSM (SC)**

|                               |         |
|-------------------------------|---------|
| Communication module GSM (SC) | 2542216 |
|-------------------------------|---------|

---

**Pump signalling module**

|                            |         |
|----------------------------|---------|
| Signalling module pump 1-2 | 2533812 |
|----------------------------|---------|

|                            |         |
|----------------------------|---------|
| Signalling module pump 3-6 | 2533836 |
|----------------------------|---------|

---

**SC-HVAC signal board**

|                      |         |
|----------------------|---------|
| SC-HVAC signal board | 2119646 |
|----------------------|---------|

---

**DDG transducer**

|                |           |
|----------------|-----------|
| DDG transducer | 501771990 |
|----------------|-----------|

---

**DDG power supply unit**

|                       |           |
|-----------------------|-----------|
| DDG power supply unit | 501865293 |
|-----------------------|-----------|

---

**Extension kit differential pressure sensor for Y-piece application**

|                       |         |
|-----------------------|---------|
| Extension for DDG-kit | 2166098 |
|-----------------------|---------|

---

**Continuous, infinitely variable control, temperature-dependent SCe-HVAC system**


---

**SCe-HVAC system**

|                          |         |
|--------------------------|---------|
| SCe-HVAC system 1x10A-WM | 2545254 |
|--------------------------|---------|

|                          |         |
|--------------------------|---------|
| SCe-HVAC system 2x10A-WM | 2545255 |
|--------------------------|---------|

|                          |         |
|--------------------------|---------|
| SCe-HVAC system 3x10A-WM | 2545256 |
|--------------------------|---------|

|                          |         |
|--------------------------|---------|
| SCe-HVAC system 4x10A-WM | 2545257 |
|--------------------------|---------|

---

**Antenna GSM/GPRS**

|  |         |
|--|---------|
| D-network dual-band antenna with 3 m cable | 2533862 |
|--|---------|

|                                       |         |
|---------------------------------------|---------|
| D-network tri-band antenna 10 m cable | 2533863 |
|---------------------------------------|---------|

|                                       |         |
|---------------------------------------|---------|
| D-network tri-band antenna 15 m cable | 2533864 |
|---------------------------------------|---------|

---

**Communication module LON (SC)**


---

|  |         |
|--|---------|
| Communication module LON (SC)                | 2538243 |
| <b>SC communication module BACnet</b>        |         |
| SC-communication module BACnet MS/TP (slave) | 2538242 |
| <b>Communication module GSM (SC)</b>         |         |
| Communication module GSM (SC)                | 2542216 |
| <b>Pump signalling module</b>                |         |
| Signalling module pump 1-2                   | 2533812 |
| Signalling module pump 3-6                   | 2533836 |
| <b>SC-HVAC signal board</b>                  |         |
| SC-HVAC signal board                         | 2119646 |

## Mechanical accessories

### Pipe installation, adapter fitting

#### Adapter set glanded pumps

|                                       |         |
|---------------------------------------|---------|
| Adapter A65-20 SET, DN 65x20mm, PN 16 | 2085470 |
| Adapter A65-45 Set, DN 65x45mm, PN 16 | 2085471 |

#### Intermediate flange connecting piece F

|  |           |
|--|-----------|
| Intermediate flange pieces F 10, DN 65x20mm, PN 10/16  | 110624195 |
| Intermediate flange pieces F 11, DN 65x30mm, PN 10/16  | 110624390 |
| Intermediate flange pieces F 28, DN 65x40mm, PN 10/16  | 110681590 |
| Intermediate flange pieces F 29, DN 65x45mm, PN 10/16  | 110681796 |
| Intermediate flange pieces F 41, DN 65x135mm, PN 10/16 | 2101157   |
| Intermediate flange pieces F 9, DN 65x10mm, PN 10/16   | 110791690 |

### Wall fixation/installation on a base

#### Mounting bracket kit

|                             |         |
|-----------------------------|---------|
| Mounting bracket F 3-12 SET | 2040967 |
|-----------------------------|---------|

## Electrical accessories

### Pump control/accessories

#### Antenna GSM/GPRS

|  |         |
|--|---------|
| D-network dual-band antenna with 3 m cable | 2533862 |
| D-network tri-band antenna 10 m cable      | 2533863 |
| D-network tri-band antenna 15 m cable      | 2533864 |
| SMA/FME adapter                            | 2545548 |

#### BMS base module

|                 |         |
|-----------------|---------|
| BMS base module | 2533800 |
|-----------------|---------|

#### CC communication module BACnet

|  |         |
|--|---------|
| CC-communication module BACnet MS/TP (slave) | 2537050 |
| CC-communication module BACnet IP (slave)    | 2537051 |

#### Communication module CC

|                         |         |
|-------------------------|---------|
| CC communication module | 2533850 |
|-------------------------|---------|

#### Communication module GSM

|            |         |
|------------|---------|
| GSM module | 2533861 |
|------------|---------|

#### Communication module GSM (SC)

|                               |         |
|-------------------------------|---------|
| Communication module GSM (SC) | 2542216 |
|-------------------------------|---------|

#### Communication module LON

|                          |         |
|--------------------------|---------|
| Communication module LON | 2533868 |
|--------------------------|---------|

#### Communication module LON (SC)

|                               |         |
|-------------------------------|---------|
| Communication module LON (SC) | 2538243 |
|-------------------------------|---------|

#### Communication module ModBus

|                                 |         |
|---------------------------------|---------|
| Communication module Modbus RTU | 2533869 |
|---------------------------------|---------|

#### Communication module Profibus

|                                  |         |
|----------------------------------|---------|
| Communication module Profibus DP | 2533866 |
|----------------------------------|---------|

#### Connection cable control modules/signalling modules

|                                     |         |
|-------------------------------------|---------|
| Control modules connecting cable    | 2533790 |
| Signalling modules connecting cable | 2533890 |

#### DDG impulse selector

|                      |         |
|----------------------|---------|
| DDG impulse selector | 2533770 |
|----------------------|---------|

#### Immersion sleeve

|                             |         |
|-----------------------------|---------|
| Immersion sleeve G ½, 45mm  | 2193423 |
| Immersion sleeve G ½, 100mm | 2193424 |

#### Pump signalling module

|                            |         |
|----------------------------|---------|
| Signalling module pump 1-2 | 2533812 |
| Signalling module pump 3-6 | 2533836 |

#### SC communication module BACnet

|  |         |
|--|---------|
| SC-communication module BACnet MS/TP (slave) | 2538242 |
| BACnet IP SC communication module            | 2553366 |

#### SC-HVAC signal board

|                      |         |
|----------------------|---------|
| SC-HVAC signal board | 2119646 |
|----------------------|---------|

#### Signal converter retrofit kit

|                                   |         |
|-----------------------------------|---------|
| Signal converter 0-10 V / 0-20 mA | 2534992 |
|-----------------------------------|---------|

#### Temperature module

|   |         |
|---|---------|
| Temperature module for systems with 4-6 pumps | 2533771 |
| Temperature module for systems with 1-3 pumps | 2534991 |

### Pump control/Comfort control system

#### CCe-HVAC system

|                          |         |
|--------------------------|---------|
| CCe-HVAC system 1 x 0.37 | 2536646 |
| CCe-HVAC system 2 x 0.37 | 2536647 |
| CCe-HVAC system 3 x 0.37 | 2536648 |
| CCe-HVAC system 4 x 0.37 | 2536649 |
| CCe-HVAC system 5 x 0.37 | 2536650 |
| CCe-HVAC system 6 x 0.37 | 2536651 |

### Pump control/Smart control system

#### SCe-HVAC system

|                          |         |
|--------------------------|---------|
| SCe-HVAC system 1x10A-WM | 2545254 |
| SCe-HVAC system 2x10A-WM | 2545255 |
| SCe-HVAC system 3x10A-WM | 2545256 |
| SCe-HVAC system 4x10A-WM | 2545257 |

---

## Pump control/interface module

---

### CIF-Modules

|                         |         |
|-------------------------|---------|
| CIF-Module BACnet MS/TP | 2190367 |
| CIF-Module Modbus RTU   | 2190368 |
| CIF-Module CANopen      | 2190369 |
| CIF-Module LON          | 2190370 |
| CIF-Module PLR          | 2190371 |
| CIF-Module Ethernet     | 2211408 |

---

## Differential pressure detection

---

### DDG power supply unit

|                       |           |
|-----------------------|-----------|
| DDG power supply unit | 501865293 |
|-----------------------|-----------|

---

### DDG transducer

|                |           |
|----------------|-----------|
| DDG transducer | 501771990 |
|----------------|-----------|

---

### Extension kit differential pressure sensor for Y-piece application

|                       |         |
|-----------------------|---------|
| Extension for DDG-kit | 2166098 |
|-----------------------|---------|

---

## Services

With Wilo as your partner, you can not only be sure of choosing high-quality product solutions, but also of benefiting from a comprehensive, worry-free package of well thought-out services. We collaborate to develop a service concept tailored to your individual needs; with our expertise and personal consultancy, we make sure that the operation of your systems is as energy-efficient, reliable and economical as possible. All the while our competent Wilo service technicians are ready to assist you with fast, reliable and on-time support.

### Recommended services

|                                   |         |
|-----------------------------------|---------|
| Supervision Glanded pumps         | 2219321 |
| Commissioning Glanded pumps       | 2219391 |
| Maintenance BASIC Glanded pumps   | 2219531 |
| Maintenance COMFORT Glanded pumps | 2219493 |
| Maintenance PREMIUM Glanded pumps | 2219546 |

### More suitable services

|                                   |         |
|-----------------------------------|---------|
| Extended Warranty Glanded pumps   | 2219590 |
| Installation Glanded pumps        | 2219356 |
| System Optimisation Glanded pumps | 2219251 |
| Energy Solutions Glanded pumps    | 2219240 |
| Repair Glanded pumps              | 2219610 |