



Similar to figure

Data sheet

Hydraulic data

Minimum efficiency index (MEI)	≥0.4
Maximum operating pressure PN	10 bar
Min. fluid temperature T_{min}	-20 °C
Max. fluid temperature T_{max}	120 °C
Max. ambient temperature T_{max}	40 °C

Motor data

Mains connection	3~400 V, 50 Hz
Number of poles	2
Voltage tolerance	±10 %
Motor efficiency class	IE3
Rated power P_2	5.5 kW
Rated current I_N	10.5 A
Rated speed n	2900 1/min
Power factor $\cos \varphi_{100}$	0.85
Motor efficiency 50% $\eta_M 50\%$	87.3 %
Motor efficiency 75% $\eta_M 75\%$	88.9 %
Motor efficiency 100% $\eta_M 100\%$	89.2 %
Motor winding up to 3 kW	-
Motor winding from 4 kW	-
Insulation class	F
Protection class motor	IP55
Integrated full motor protection	-

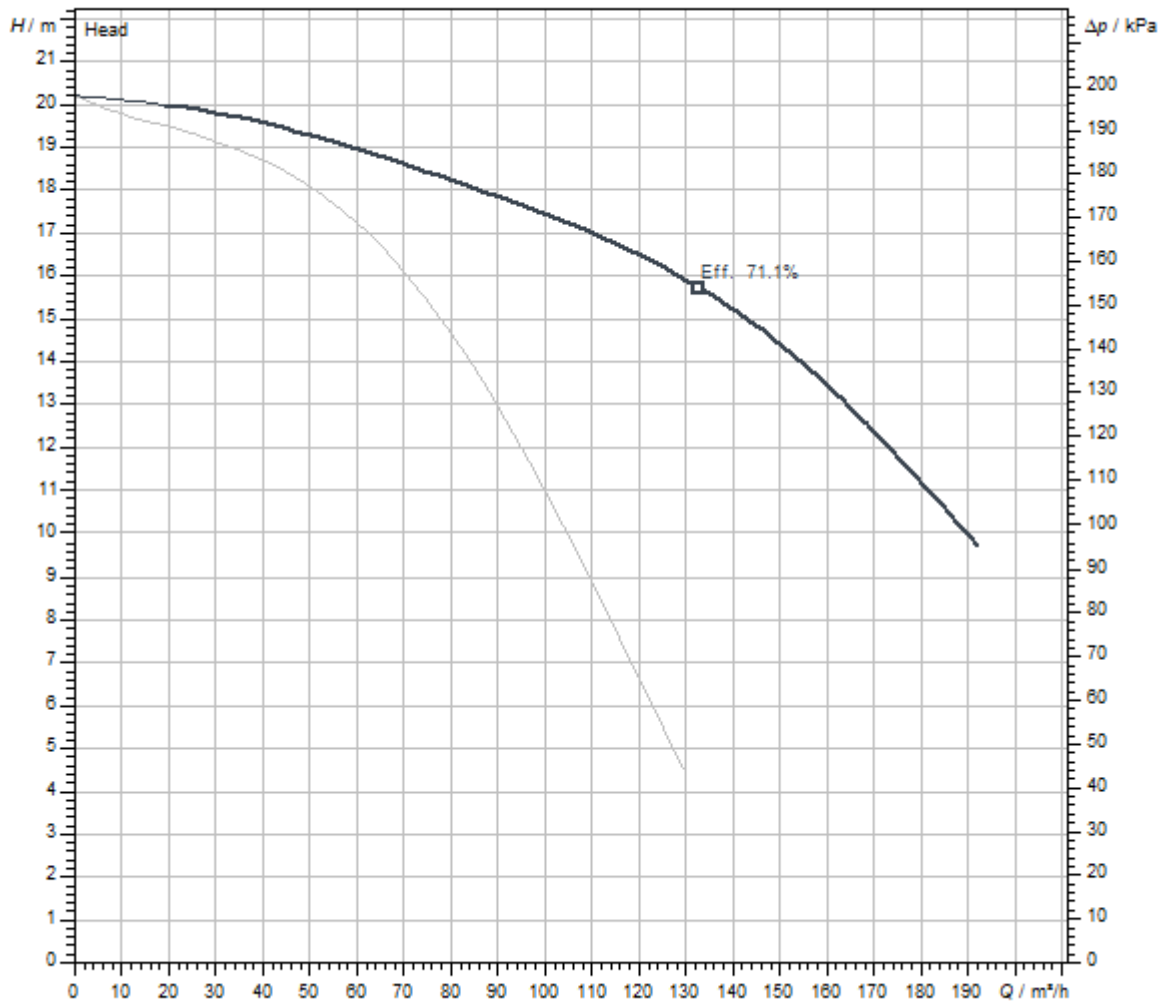
Materials

Pump housing	Grey cast iron
Impeller	PPE/PS-GF30
Shaft	Stainless steel
Mechanical seal	AQ1EGG
Lantern	Grey cast iron

Installation dimensions

Pipe connection on the suction side DN_s	DN 80
Pipe connection on the discharge side DN_d	DN 80
Port-to-port length L_0	360 mm

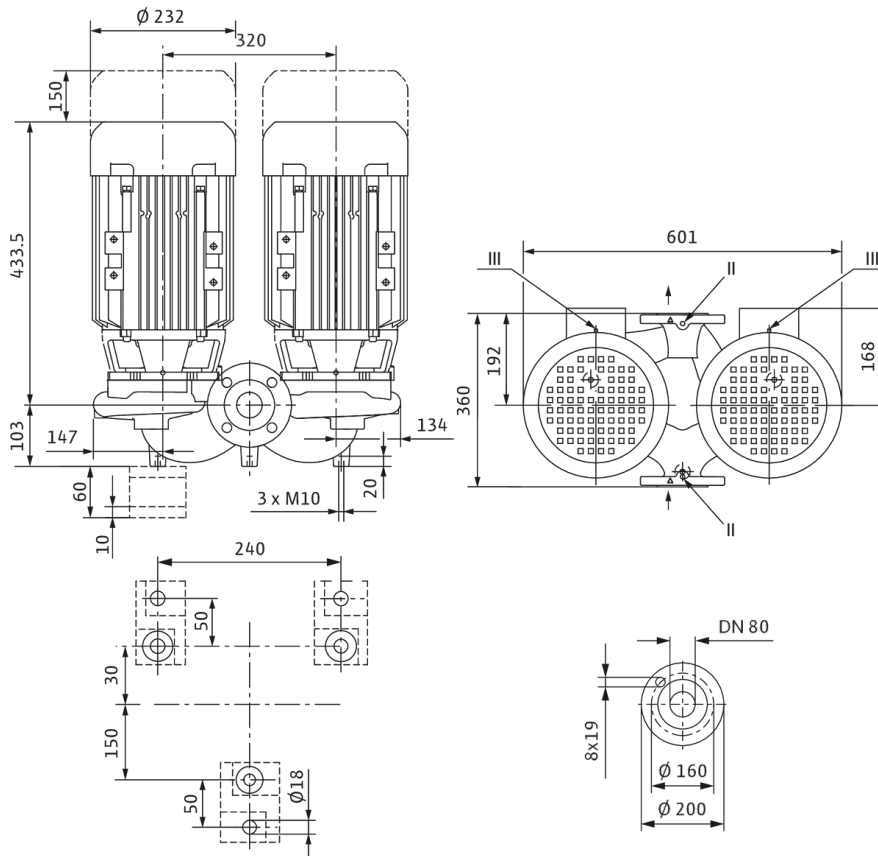
Pump curves



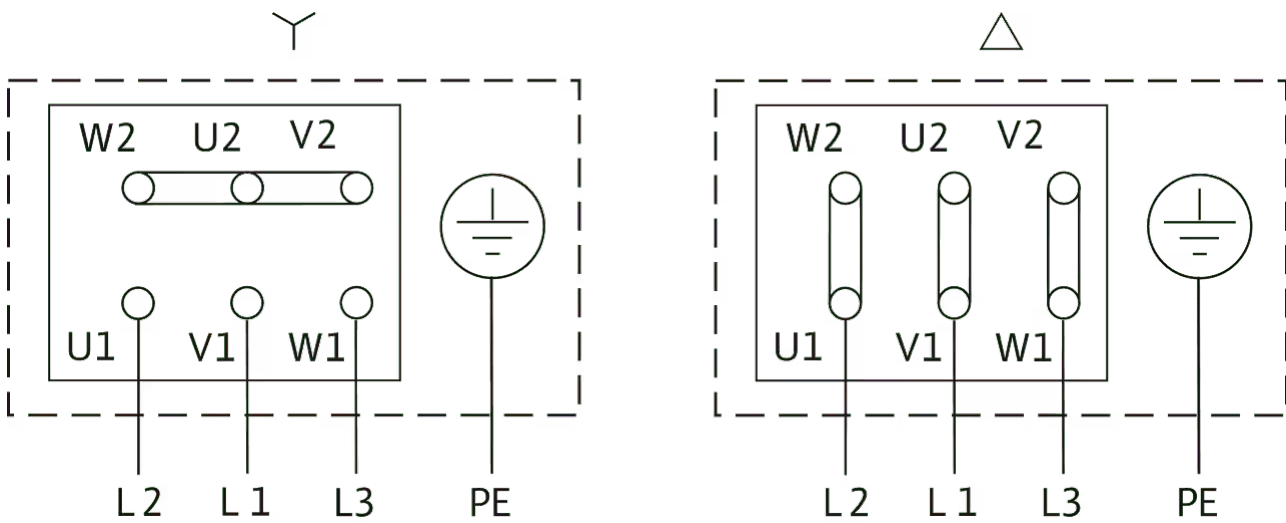
Fluid media	Water 100 %
Fluid temperature T	20.00 °C
speed at duty point $n_{hydr. @ OP}$	2,900 1/min
Impeller diameter $d_{imp.}$	119 mm

Dimensions and dimensions drawings

VeroTwin-DPL 80/120-5,5/2-S1



Wiring diagram



Δ: Connection diagram delta connection

Y: Connection diagram star connection

Motor protection switch required on-site. Check the direction of rotation! To change the direction of rotation, exchange any two phases.

$P_2 \leq 3$ kW 3~400 V Y

3~230 V Δ

$P_2 \geq 4$ kW 3~690 V Y

3~400 V Δ

After removing the bridges, Y-Δ start is possible.

Tender text

In-line twin-head pump with two single-stage glanded centrifugal pumps in the same housing with switchover valve in the pressure port. Pump with compact in-line design with directly flanged three-phase current motor and one-piece shafts or with lanterns and standard motors (version N) rigidly connected by couplings.

The DPL series is suitable for pipe installation or installation on a base. Mounting brackets are available as accessories. With force-flushed circulation,

bidirectional bellows mechanical seals and cavitation-reducing plastic impeller.

Flanges with pressure measuring connections R 1/8. The pump housing and lantern are cathophoretic-coated.

The motor terminal box can be made of metal or plastic. If a metal terminal box is absolutely necessary, please order the appropriate special variant.

Operating Data

Min. fluid temperature T_{\min}	-20 °C
Max. fluid temperature T_{\max}	120 °C
Min. ambient temperature T_{\min}	-15 °C
Max. ambient temperature T_{\max}	40 °C
Maximum operating pressure PN	10 bar
Minimum efficiency index (MEI)	≥ 0.4

Motor data

Motor efficiency class	IE3
Mains connection	3~400 V, 50 Hz
Voltage tolerance	± 10 %
Rated power P_2	5500 W
Rated speed n	2900 1/min
Rated current I_N	10.5 A
Power factor $\cos \varphi_{100}$	0.85
Motor efficiency 50% $\eta_M 50\%$	87.3 %
Motor efficiency 75% $\eta_M 75\%$	88.9 %
Motor efficiency 100% $\eta_M 100\%$	89.2 %
Insulation class	F
Protection class	IP55


Materials

Pump housing	Grey cast iron
Impeller	PPE/PS-GF30
Shaft	Stainless steel
Shaft seal	AQ1EGG
Lantern	Grey cast iron

Installation dimensions

Pipe connection on the suction side DNs	DN 80
Pipe connection on the discharge side DNd	DN 80
Port-to-port length $L0$	360 mm

Ordering information

Brand	Wilo
Product description	VeroTwin-DPL 80/120-5,5/2
Net weight, approx. m	109 kg
Article number	2155464 

Installation type

Continuous, infinitely variable control, differential pressure-sensitive CC-HVAC system

CC-HVAC system

CC-HVAC-System 1x13A-T34-SD-FC-BM	2527830
CC-HVAC-System 2x13A-T34-SD-FC-BM	2527831
CC-HVAC-System 3x13A-T34-SD-FC-BM	2527832

Antenna GSM/GPRS

D-network dual-band antenna with 3 m cable	2533862
D-network tri-band antenna 10 m cable	2533863
D-network tri-band antenna 15 m cable	2533864

Outdoor temperature sensor Pt 100

Outdoor temperature sensor Pt 100	2533772
-----------------------------------	---------

DDG impulse selector

DDG impulse selector	2533770
----------------------	---------

BMS base module

BMS base module	2533800
-----------------	---------

CC communication module BACnet

CC-communication module BACnet IP (slave)	2537051
CC-communication module BACnet MS/TP (slave)	2537050

Communication module LON

Communication module LON	2533868
--------------------------	---------

Communication module ModBus

Communication module Modbus RTU	2533869
---------------------------------	---------

Communication module Profibus

Communication module Profibus DP	2533866
----------------------------------	---------

Communication module GSM

GSM module	2533861
------------	---------

Pump signalling module

Signalling module pump 1-2	2533812
Signalling module pump 3-6	2533836

Signal converter retrofit kit

Signal converter 0-10 V / 0-20 mA	2534992
-----------------------------------	---------

Connection cable control modules/signalling modules

Control modules connecting cable	2533790
Signalling modules connecting cable	2533890

DDG (4-20mA)

Wilo-DDG 10 Signal Trans.(4-20mA)2G VP.	2136454
Wilo-DDG 100 Signal Trans.(4-20mA)	2211740
Wilo-DDG 20 Signal Trans.(4-20mA)2G VP.	2136456
Wilo-DDG 40 Signal Trans.(4-20mA)2G VP.	2136458
Wilo-DDG 60 Signal Trans.(4-20mA)2G VP.	2136460

PTC thermistor tripping unit

PTC thermistor tripping unit	509275993
------------------------------	-----------

Continuous, infinitely variable control, temperature-dependent CC-HVAC system

CC-HVAC system

CC-HVAC-System 1x13A-T34-SD-FC-BM	2527830
CC-HVAC-System 2x13A-T34-SD-FC-BM	2527831
CC-HVAC-System 3x13A-T34-SD-FC-BM	2527832

Antenna GSM/GPRS

D-network dual-band antenna with 3 m cable	2533862
D-network tri-band antenna 10 m cable	2533863
D-network tri-band antenna 15 m cable	2533864

Outdoor temperature sensor Pt 100

Outdoor temperature sensor Pt 100	2533772
-----------------------------------	---------

BMS base module

BMS base module	2533800
-----------------	---------

CC communication module BACnet

CC-communication module BACnet IP (slave)	2537051
CC-communication module BACnet MS/TP (slave)	2537050

Communication module LON

Communication module LON	2533868
--------------------------	---------

Communication module ModBus

Communication module Modbus RTU	2533869
---------------------------------	---------

Communication module Profibus

Communication module Profibus DP	2533866
----------------------------------	---------

Communication module GSM

GSM module	2533861
------------	---------

Pump signalling module

Signalling module pump 1-2	2533812
Signalling module pump 3-6	2533836

Signal converter retrofit kit

Signal converter 0-10 V / 0-20 mA	2534992
-----------------------------------	---------

Temperature module

Temperature module for systems with 1-3 pumps	2534991
Temperature module for systems with 4-6 pumps	2533771

Connection cable control modules/signalling modules

Control modules connecting cable	2533790
Signalling modules connecting cable	2533890

PTC thermistor tripping unit

PTC thermistor tripping unit	509275993
------------------------------	-----------

Continuous, infinitely variable control, differential pressure-sensitive SC-HVAC system

SC/SC-FC-HVAC system

SC-FC-HVAC system 1x12A-FC-BM (direct starting)	2545446
SC-FC-HVAC system 1x13A-FC-BM (star-delta-starting)	2545466
SC-FC-HVAC system 2x12A-FC-BM (direct starting)	2545447
SC-FC-HVAC system 2x13A-FC-BM (star-delta-starting)	2545467
SC-FC-HVAC system 3x12A-FC-BM (direct starting)	2545448
SC-FC-HVAC system 3x13A-FC-BM (star-delta-starting)	2545468
SC-FC-HVAC system 4x12A-FC-BM (direct starting)	2545449
SC-FC-HVAC system 4x13A-FC-BM (star-delta-starting)	2545469
SC-HVAC system 1x12A-WM (direct starting)	2545330
SC-HVAC system 1x13A-WM (star-delta-starting)	2545350
SC-HVAC system 2x12A-WM (direct starting)	2545331

SC-HVAC system 2x13A-WM (star-delta-starting)	2545351
SC-HVAC system 3x12A-WM (direct starting)	2545332
SC-HVAC system 3x13A-WM (star-delta-starting)	2545352
SC-HVAC system 4x12A-WM (direct starting)	2545333
SC-HVAC system 4x13A-WM (star-delta-starting)	2545353

Antenna GSM/GPRS

D-network dual-band antenna with 3 m cable	2533862
D-network tri-band antenna 10 m cable	2533863
D-network tri-band antenna 15 m cable	2533864

Outdoor temperature sensor Pt 100

Outdoor temperature sensor Pt 100	2533772
-----------------------------------	---------

DDG impulse selector

DDG impulse selector	2533770
----------------------	---------

Communication module LON (SC)

Communication module LON (SC)	2538243
-------------------------------	---------

SC communication module BACnet

SC-communication module BACnet MS/TP (slave)	2538242
--	---------

Communication module GSM (SC)

Communication module GSM (SC)	2542216
-------------------------------	---------

Pump signalling module

Signalling module pump 1-2	2533812
Signalling module pump 3-6	2533836

SC-HVAC signal board

SC-HVAC signal board	2119646
----------------------	---------

DDG (4-20mA)

Wilo-DDG 10 Signal Trans.(4-20mA)2G VP.	2136454
Wilo-DDG 100 Signal Trans.(4-20mA)	2211740
Wilo-DDG 20 Signal Trans.(4-20mA)2G VP.	2136456
Wilo-DDG 40 Signal Trans.(4-20mA)2G VP.	2136458
Wilo-DDG 60 Signal Trans.(4-20mA)2G VP.	2136460

PTC thermistor tripping unit

--	--

PTC thermistor tripping unit	509275993
------------------------------	-----------

Continuous, infinitely variable control, temperature-dependent SC-HVAC system

SC/SC-FC-HVAC system

SC-FC-HVAC system 1x12A-FC-BM (direct starting)	2545446
SC-FC-HVAC system 1x13A-FC-BM (star-delta-starting)	2545466
SC-FC-HVAC system 2x12A-FC-BM (direct starting)	2545447
SC-FC-HVAC system 2x13A-FC-BM (star-delta-starting)	2545467
SC-FC-HVAC system 3x12A-FC-BM (direct starting)	2545448
SC-FC-HVAC system 3x13A-FC-BM (star-delta-starting)	2545468
SC-FC-HVAC system 4x12A-FC-BM (direct starting)	2545449
SC-FC-HVAC system 4x13A-FC-BM (star-delta-starting)	2545469
SC-HVAC system 1x12A-WM (direct starting)	2545330
SC-HVAC system 1x13A-WM (star-delta-starting)	2545350
SC-HVAC system 2x12A-WM (direct starting)	2545331
SC-HVAC system 2x13A-WM (star-delta-starting)	2545351
SC-HVAC system 3x12A-WM (direct starting)	2545332
SC-HVAC system 3x13A-WM (star-delta-starting)	2545352
SC-HVAC system 4x12A-WM (direct starting)	2545333
SC-HVAC system 4x13A-WM (star-delta-starting)	2545353

Antenna GSM/GPRS

D-network dual-band antenna with 3 m cable	2533862
D-network tri-band antenna 10 m cable	2533863
D-network tri-band antenna 15 m cable	2533864

Outdoor temperature sensor Pt 100

Outdoor temperature sensor Pt 100	2533772
-----------------------------------	---------

Communication module LON (SC)

Communication module LON (SC)	2538243
-------------------------------	---------

SC communication module BACnet

SC-communication module BACnet MS/TP (slave)	2538242
--	---------

Communication module GSM (SC)

Communication module GSM (SC)	2542216
-------------------------------	---------

Pump signalling module

Signalling module pump 1-2	2533812
----------------------------	---------

Signalling module pump 3-6	2533836
SC-HVAC signal board	
SC-HVAC signal board	2119646
PTC thermistor tripping unit	
PTC thermistor tripping unit	509275993