



Similar to figure

## Data sheet

### Hydraulic data

|                                    |        |
|------------------------------------|--------|
| Minimum efficiency index (MEI)     | ≥0.4   |
| Maximum operating pressure $PN$    | 10 bar |
| Min. fluid temperature $T_{min}$   | -20 °C |
| Max. fluid temperature $T_{max}$   | 120 °C |
| Max. ambient temperature $T_{max}$ | 40 °C  |

### Motor data

|                                      |                |
|--------------------------------------|----------------|
| Mains connection                     | 3~400 V, 50 Hz |
| Number of poles                      | 4              |
| Voltage tolerance                    | ±10 %          |
| Motor efficiency class               | IE2            |
| Rated power $P_2$                    | 0.12 kW        |
| Rated current $I_N$                  | 0.34 A         |
| Rated speed $n$                      | 1500 1/min     |
| Power factor $\cos \varphi_{100}$    | 0.72           |
| Motor efficiency 50% $\eta_M 50\%$   | 67.3 %         |
| Motor efficiency 75% $\eta_M 75\%$   | 65.1 %         |
| Motor efficiency 100% $\eta_M 100\%$ | 69.7 %         |
| Motor winding up to 3 kW             | -              |
| Motor winding from 4 kW              | -              |
| Insulation class                     | F              |
| Protection class motor               | IP55           |
| Integrated full motor protection     | -              |

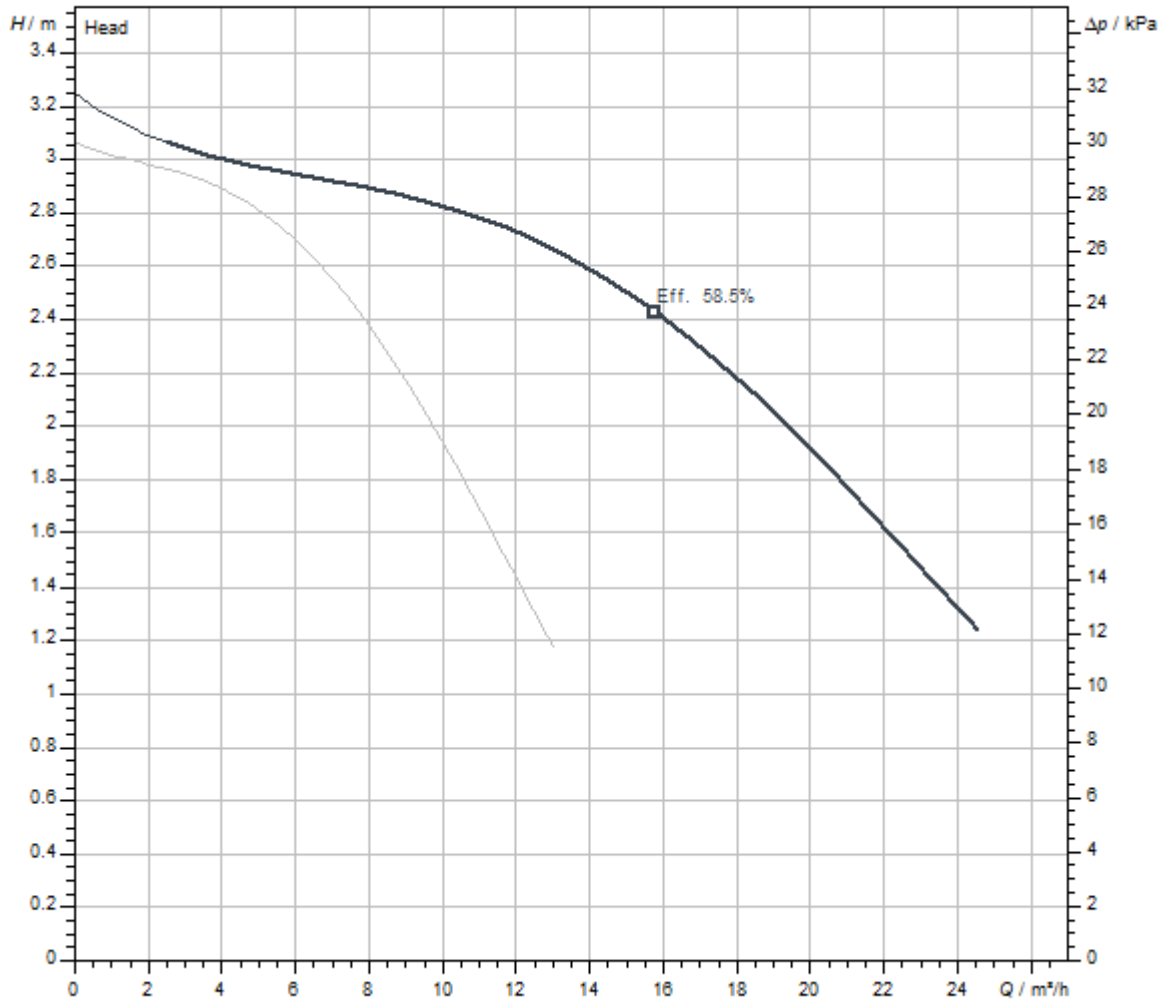
### Materials

|                 |                 |
|-----------------|-----------------|
| Pump housing    | Grey cast iron  |
| Impeller        | PPE/PS-GF30     |
| Shaft           | Stainless steel |
| Mechanical seal | AQ1EGG          |
| Lantern         | Grey cast iron  |

### Installation dimensions

|  |        |
|--|--------|
| Pipe connection on the suction side $DN_s$   | DN 50  |
| Pipe connection on the discharge side $DN_d$ | DN 50  |
| Port-to-port length $L_0$                    | 280 mm |

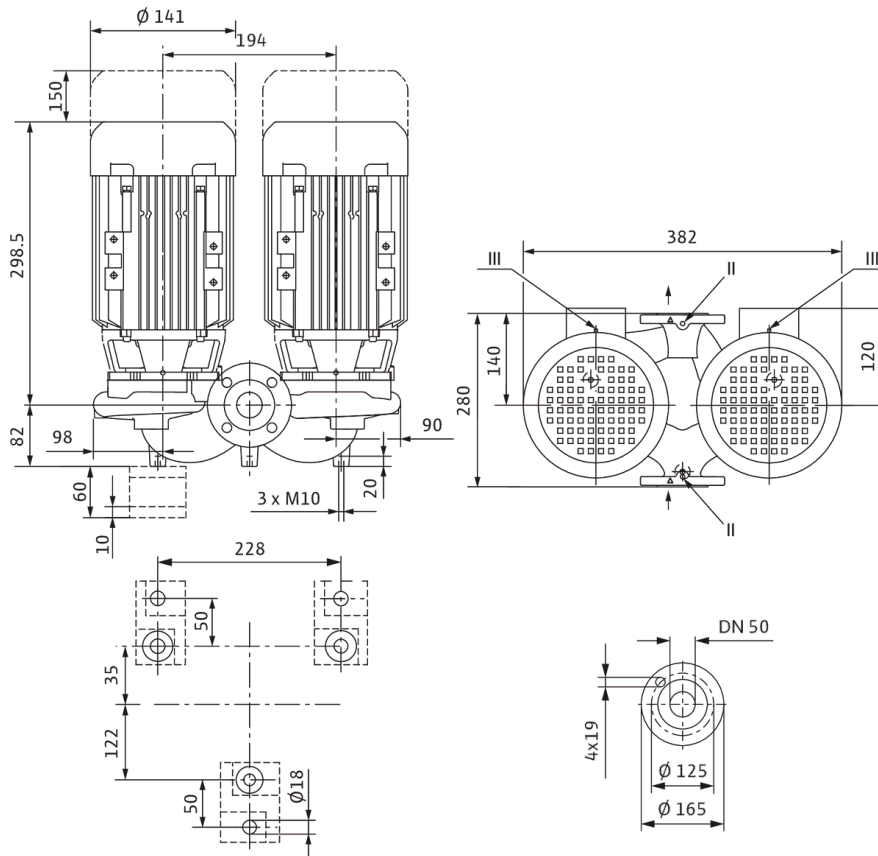
Pump curves



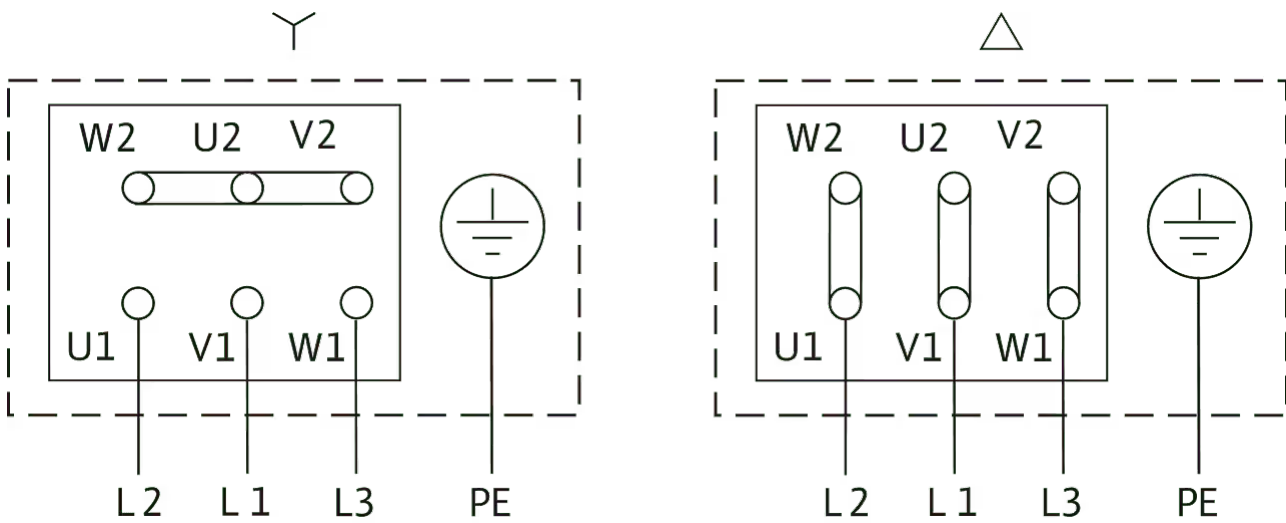
|                                      |             |
|--------------------------------------|-------------|
| Fluid media                          | Water 100 % |
| Fluid temperature $T$                | 20.00 °C    |
| speed at duty point $n_{hydr. @ OP}$ | 1,450 1/min |
| Impeller diameter $d_{imp.}$         | 107 mm      |

Dimensions and dimensions drawings

VeroTwin-DPL 50/105-0,12/4-S1



Wiring diagram



Δ: Connection diagram delta connection

Y: Connection diagram star connection

Motor protection switch required on-site. Check the direction of rotation! To change the direction of rotation, exchange any two phases.

$P_2 \leq 3 \text{ kW}$  3~400 V Y

3~230 V Δ

$P_2 \geq 4 \text{ kW}$  3~690 V Y

3~400 V Δ

After removing the bridges, Y-Δ start is possible.

## Tender text

In-line twin-head pump with two single-stage glanded centrifugal pumps in the same housing with switchover valve in the pressure port. Pump with compact in-line design with directly flanged three-phase current motor and one-piece shafts or with lanterns and standard motors (version N) rigidly connected by couplings.

The DPL series is suitable for pipe installation or installation on a base. Mounting brackets are available as accessories. With force-flushed circulation,

bidirectional bellows mechanical seals and cavitation-reducing plastic impeller.

Flanges with pressure measuring connections R 1/8. The pump housing and lantern are cathophoretic-coated.

The motor terminal box can be made of metal or plastic. If a metal terminal box is absolutely necessary, please order the appropriate special variant.

## Operating Data

|                                     |            |
|-------------------------------------|------------|
| Min. fluid temperature $T_{\min}$   | -20 °C     |
| Max. fluid temperature $T_{\max}$   | 120 °C     |
| Min. ambient temperature $T_{\min}$ | -15 °C     |
| Max. ambient temperature $T_{\max}$ | 40 °C      |
| Maximum operating pressure $PN$     | 10 bar     |
| Minimum efficiency index (MEI)      | $\geq 0.4$ |

## Motor data

|                                      |                |
|--------------------------------------|----------------|
| Motor efficiency class               | IE2            |
| Mains connection                     | 3~400 V, 50 Hz |
| Voltage tolerance                    | $\pm 10$ %     |
| Rated power $P_2$                    | 120 W          |
| Rated speed $n$                      | 1500 1/min     |
| Rated current $I_N$                  | 0.34 A         |
| Power factor $\cos \varphi_{100}$    | 0.72           |
| Motor efficiency 50% $\eta_M 50\%$   | 67.3 %         |
| Motor efficiency 75% $\eta_M 75\%$   | 65.1 %         |
| Motor efficiency 100% $\eta_M 100\%$ | 69.7 %         |
| Insulation class                     | F              |
| Protection class                     | IP55           |


## Materials

|              |                 |
|--------------|-----------------|
| Pump housing | Grey cast iron  |
| Impeller     | PPE/PS-GF30     |
| Shaft        | Stainless steel |
| Shaft seal   | AQ1EGG          |
| Lantern      | Grey cast iron  |

## Installation dimensions

|  |        |
|--|--------|
| Pipe connection on the suction side $DN_s$   | DN 50  |
| Pipe connection on the discharge side $DN_d$ | DN 50  |
| Port-to-port length $L_0$                    | 280 mm |

## Ordering information

|                         |  |
|-------------------------|--|
| Brand                   | Wilo   |
| Product description     | VeroTwin-DPL 50/105-0,12/4   |
| Net weight, approx. $m$ | 36.8 kg  |
| Article number          | <b>2150374</b>  |

## Mechanical accessories

### Pipe installation, adapter fitting

---

#### Intermediate flange connecting piece F

|  |           |
|--|-----------|
| Intermediate flange pieces F 3, DN 50x20mm, PN 10/16   | 110623190 |
| Intermediate flange pieces F 5, DN 50x35mm, PN 10/16   | 110623396 |
| Intermediate flange pieces F 4, DN 50x30mm, PN 10/16   | 110681395 |
| Intermediate flange pieces F 40, DN 50x160mm, PN 10/16 | 2101156   |
| Intermediate flange pieces F 2, DN 50x10mm, PN 10/16   | 110791494 |

---

### Wall fixation/installation on a base

---

#### Mounting bracket kit

|                             |         |
|-----------------------------|---------|
| Mounting bracket F 3-12 SET | 2040967 |
|-----------------------------|---------|

---

### Maintenance/replacement mechanical accessories

---

#### Blind flanges, glanded pump

|                       |         |
|-----------------------|---------|
| Blind flange P154 set | 2023965 |
|-----------------------|---------|