



Similar to figure

## Data sheet

### Hydraulic data

Minimum efficiency index (MEI)	≥0.4
Maximum operating pressure $PN$	10 bar
Min. fluid temperature $T_{min}$	-20 °C
Max. fluid temperature $T_{max}$	120 °C
Max. ambient temperature $T_{max}$	40 °C

### Motor data

Mains connection	3~400 V, 50 Hz
Number of poles	4
Voltage tolerance	±10 %
Motor efficiency class	IE2
Rated power $P_2$	0.37 kW
Rated current $I_N$	1.06 A
Rated speed $n$	1450 1/min
Power factor $\cos \varphi_{100}$	0.71
Motor efficiency 50% $\eta_M 50\%$	71.7 %
Motor efficiency 75% $\eta_M 75\%$	76.1 %
Motor efficiency 100% $\eta_M 100\%$	76.1 %
Motor winding up to 3 kW	-
Motor winding from 4 kW	-
Insulation class	F
Protection class motor	IP55
Integrated full motor protection	-

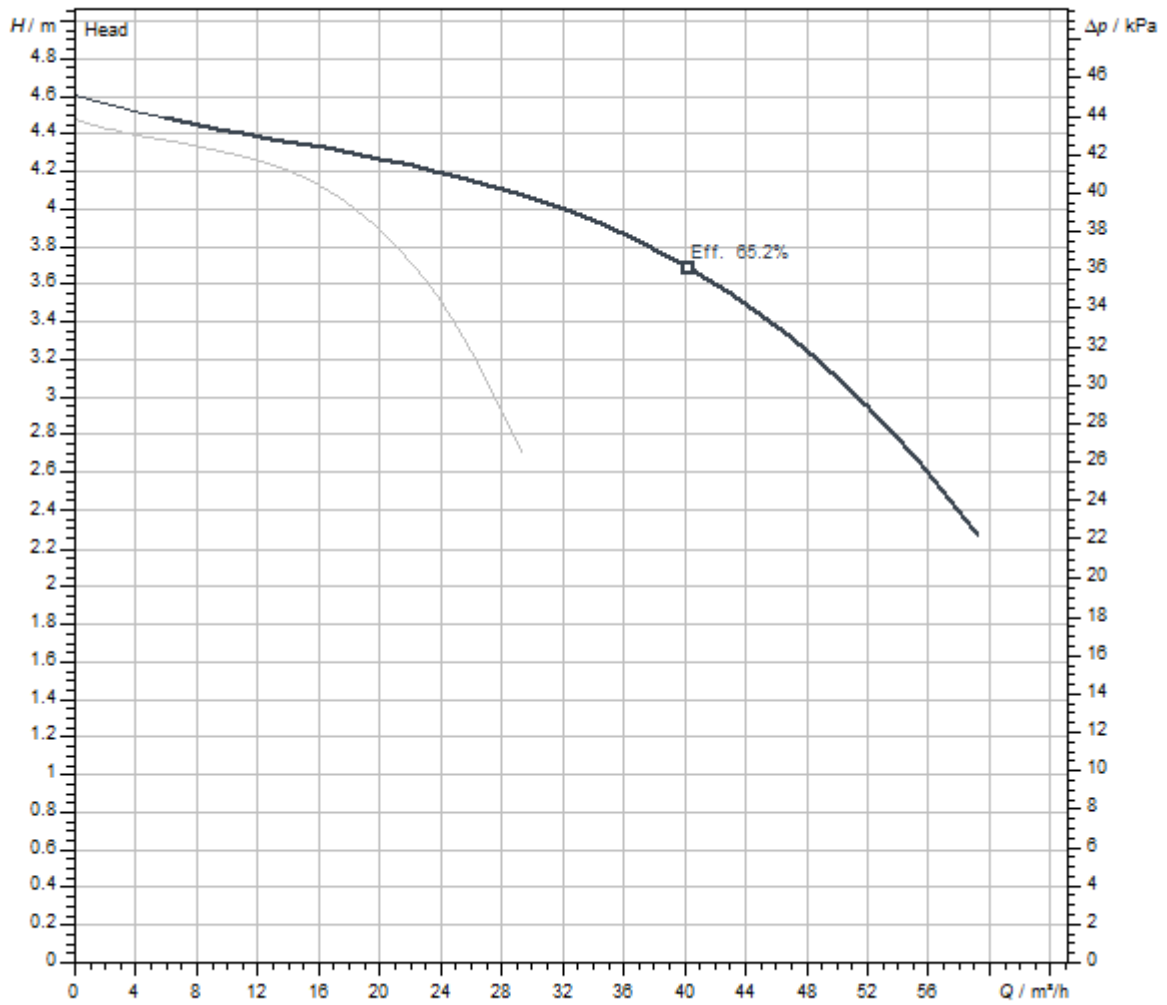
### Materials

Pump housing	Grey cast iron
Impeller	PPE/PS-GF30
Shaft	Stainless steel
Mechanical seal	AQ1EGG
Lantern	Grey cast iron

### Installation dimensions

Pipe connection on the suction side $DN_s$	DN 65
Pipe connection on the discharge side $DN_d$	DN 65
Port-to-port length $L_0$	340 mm

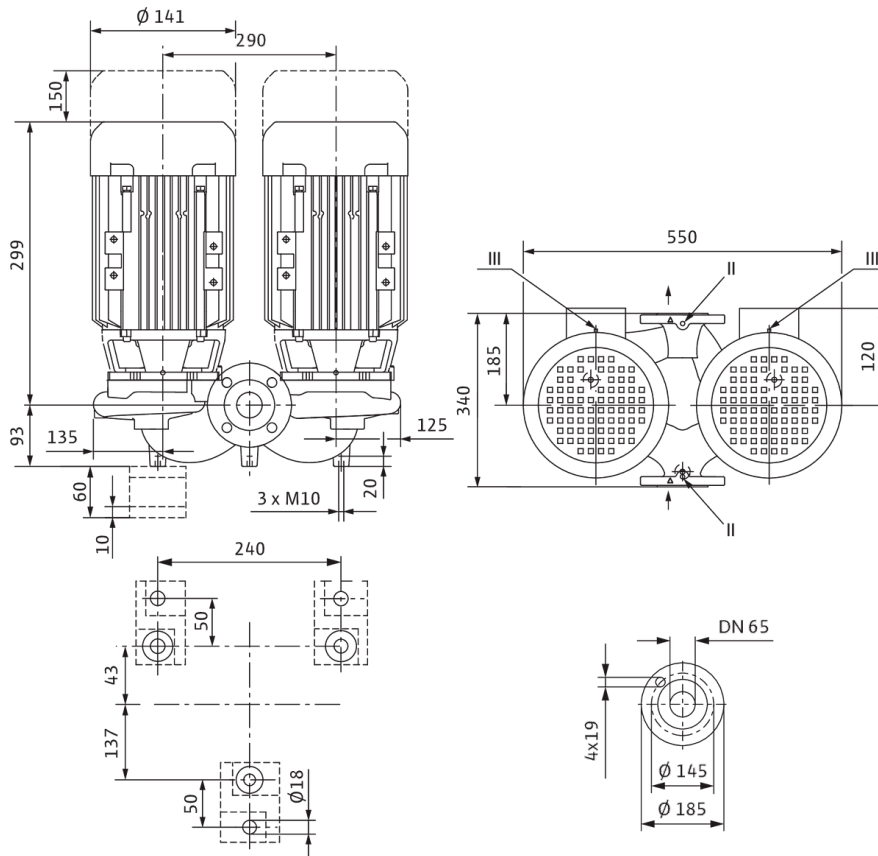
Pump curves



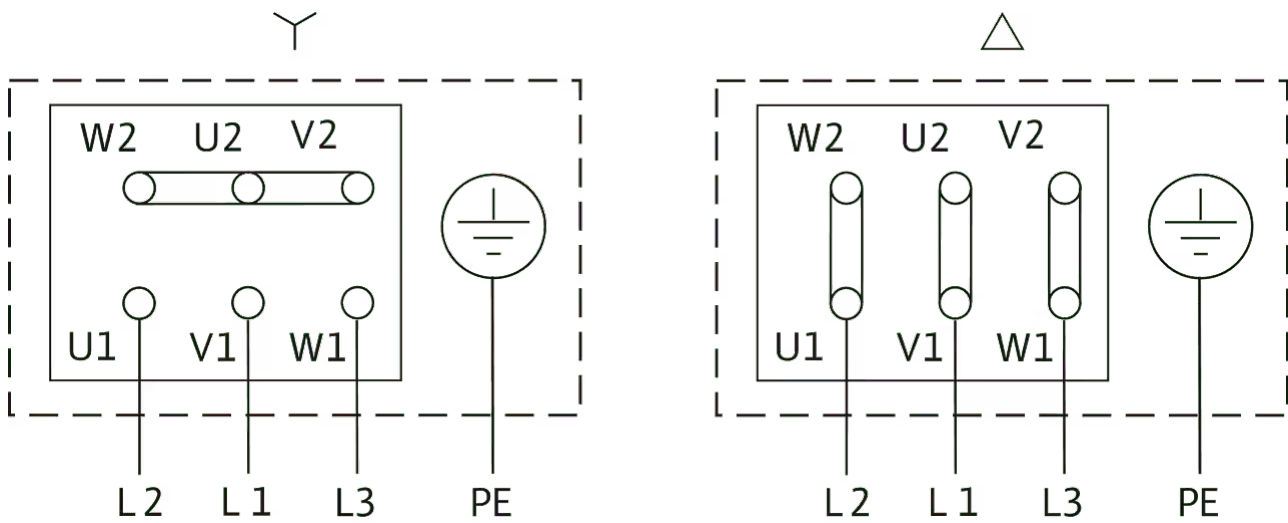
Fluid media	Water 100 %
Fluid temperature $T$	20.00 °C
speed at duty point $n_{hydr. @ OP}$	1,450 1/min
Impeller diameter $d_{imp.}$	122 mm

Dimensions and dimensions drawings

VeroTwin-DPL 65/120-0,37/4-S1



## Wiring diagram



Δ: Connection diagram delta connection

Y: Connection diagram star connection

Motor protection switch required on-site. Check the direction of rotation! To change the direction of rotation, exchange any two phases.

$P_2 \leq 3$  kW 3~400 V Y

3~230 V Δ

$P_2 \geq 4$  kW 3~690 V Y

3~400 V Δ

After removing the bridges, Y-Δ start is possible.

## Ordering information

### Product data

Brand	Wilo
Product description	VeroTwin-DPL 65/120-0,37/4
Article number	<a href="#">2133206</a>
EAN number	4048482332987
Colour	Green
Minimum order quantity	1
Date of sales availability	2013-03-01

### Packaging

Packaging type	One-way pallet
Packaging property	Transport packaging
Pieces per pallet	1
Number per layer	1

### Dimension, weight

Length with packaging	790 mm
Length <i>L</i>	391.5 mm
Height with packaging	460 mm
Height <i>H</i>	340 mm
Width with packaging	600 mm
Width <i>W</i>	550 mm
Gross weight, approx. <i>m</i>	63.8 kg
Net weight, approx. <i>m</i>	53.2 kg

## Tender text

In-line twin-head pump with two single-stage glanded centrifugal pumps in the same housing with switchover valve in the pressure port. Pump with compact in-line design with directly flanged three-phase current motor and one-piece shafts or with lanterns and standard motors (version N) rigidly connected by couplings.

The DPL series is suitable for pipe installation or installation on a base. Mounting brackets are available as accessories. With force-flushed circulation,

bidirectional bellows mechanical seals and cavitation-reducing plastic impeller.

Flanges with pressure measuring connections R 1/8. The pump housing and lantern are cathophoretic-coated.

The motor terminal box can be made of metal or plastic. If a metal terminal box is absolutely necessary, please order the appropriate special variant.

## Operating Data

Min. fluid temperature $T_{\min}$	-20 °C
Max. fluid temperature $T_{\max}$	120 °C
Min. ambient temperature $T_{\min}$	-15 °C
Max. ambient temperature $T_{\max}$	40 °C
Maximum operating pressure $PN$	10 bar
Minimum efficiency index (MEI)	$\geq 0.4$

## Motor data

Motor efficiency class	IE2
Mains connection	3~400 V, 50 Hz
Voltage tolerance	$\pm 10$ %
Rated power $P_2$	370 W
Rated speed $n$	1450 1/min
Rated current $I_N$	1.06 A
Power factor $\cos \varphi_{100}$	0.71
Motor efficiency 50% $\eta_M 50\%$	71.7 %
Motor efficiency 75% $\eta_M 75\%$	76.1 %
Motor efficiency 100% $\eta_M 100\%$	76.1 %
Insulation class	F
Protection class	IP55


## Materials

Pump housing	Grey cast iron
Impeller	PPE/PS-GF30
Shaft	Stainless steel
Shaft seal	AQ1EGG
Lantern	Grey cast iron

## Installation dimensions

Pipe connection on the suction side $DN_s$	DN 65
Pipe connection on the discharge side $DN_d$	DN 65
Port-to-port length $L_0$	340 mm

## Ordering information

Brand	Wilo
Product description	VeroTwin-DPL 65/120-0,37/4
Net weight, approx. $m$	53.2 kg
Article number	<b>2133206</b> 

## Installation type

### Continuous, infinitely variable control, differential pressure-sensitive SC-HVAC system

#### SC/SC-FC-HVAC system

SC-FC-HVAC system 1x1,6A-FC-WM (direct starting)	2545426
SC-FC-HVAC system 2x1,6A-FC-WM (direct starting)	2545427
SC-FC-HVAC system 3x1,6A-FC-WM (direct starting)	2545428
SC-FC-HVAC system 4x1,6A-FC-WM (direct starting)	2545429
SC-HVAC system 1x1,6A-WM (direct starting)	2545310
SC-HVAC system 2x1,6A-WM (direct starting)	2545311
SC-HVAC system 3x1,6A-WM (direct starting)	2545312
SC-HVAC system 4x1,6A-WM (direct starting)	2545313

#### Antenna GSM/GPRS

D-network dual-band antenna with 3 m cable	2533862
D-network tri-band antenna 10 m cable	2533863
D-network tri-band antenna 15 m cable	2533864

#### Outdoor temperature sensor Pt 100

Outdoor temperature sensor Pt 100	2533772
-----------------------------------	---------

#### DDG impulse selector

DDG impulse selector	2533770
----------------------	---------

#### Communication module LON (SC)

Communication module LON (SC)	2538243
-------------------------------	---------

#### SC communication module BACnet

SC-communication module BACnet MS/TP (slave)	2538242
--	---------

#### Communication module GSM (SC)

Communication module GSM (SC)	2542216
-------------------------------	---------

#### Pump signalling module

Signalling module pump 1-2	2533812
Signalling module pump 3-6	2533836

#### SC-HVAC signal board

SC-HVAC signal board	2119646
----------------------	---------

#### DDG (4-20mA)

Wilo-DDG 10 Signal Trans.(4-20mA)2G VP.	2136454
Wilo-DDG 100 Signal Trans.(4-20mA)	2211740
Wilo-DDG 20 Signal Trans.(4-20mA)2G VP.	2136456
Wilo-DDG 40 Signal Trans.(4-20mA)2G VP.	2136458
Wilo-DDG 60 Signal Trans.(4-20mA)2G VP.	2136460

#### PTC thermistor tripping unit

PTC thermistor tripping unit	509275993
------------------------------	-----------

### Continuous, infinitely variable control, temperature-dependent SC-HVAC system

#### SC/SC-FC-HVAC system

SC-FC-HVAC system 1x1,6A-FC-WM (direct starting)	2545426
SC-FC-HVAC system 2x1,6A-FC-WM (direct starting)	2545427
SC-FC-HVAC system 3x1,6A-FC-WM (direct starting)	2545428
SC-FC-HVAC system 4x1,6A-FC-WM (direct starting)	2545429
SC-HVAC system 1x1,6A-WM (direct starting)	2545310
SC-HVAC system 2x1,6A-WM (direct starting)	2545311
SC-HVAC system 3x1,6A-WM (direct starting)	2545312
SC-HVAC system 4x1,6A-WM (direct starting)	2545313

#### Antenna GSM/GPRS

D-network dual-band antenna with 3 m cable	2533862
D-network tri-band antenna 10 m cable	2533863
D-network tri-band antenna 15 m cable	2533864

#### Outdoor temperature sensor Pt 100

Outdoor temperature sensor Pt 100	2533772
-----------------------------------	---------

#### Communication module LON (SC)

Communication module LON (SC)	2538243
-------------------------------	---------

#### SC communication module BACnet

SC-communication module BACnet MS/TP (slave)	2538242
--	---------

#### Communication module GSM (SC)

Communication module GSM (SC)	2542216
-------------------------------	---------

#### Pump signalling module

Signalling module pump 1-2	2533812
Signalling module pump 3-6	2533836

### SC-HVAC signal board

SC-HVAC signal board	2119646
----------------------	---------

### PTC thermistor tripping unit

PTC thermistor tripping unit	509275993
------------------------------	-----------

## Mechanical accessories

### Pipe installation, adapter fitting

#### Adapter set glanded pumps

Adapter A65-20 SET, DN 65x20mm, PN 16	2085470
Adapter A65-45 Set, DN 65x45mm, PN 16	2085471

#### Intermediate flange connecting piece F

Intermediate flange pieces F 10, DN 65x20mm, PN 10/16	110624195
Intermediate flange pieces F 11, DN 65x30mm, PN 10/16	110624390
Intermediate flange pieces F 28, DN 65x40mm, PN 10/16	110681590
Intermediate flange pieces F 29, DN 65x45mm, PN 10/16	110681796
Intermediate flange pieces F 41, DN 65x135mm, PN 10/16	2101157
Intermediate flange pieces F 9, DN 65x10mm, PN 10/16	110791690

### Wall fixation/installation on a base

#### Mounting bracket kit

Mounting bracket F 3-12 SET	2040967
-----------------------------	---------

### Maintenance/replacement mechanical accessories

#### Blind flanges, glanded pump

Blind flange P188 set	2023964
-----------------------	---------



## Electrical accessories

### Pump control

#### Wilo-EFC

EFC0.37 3x380-480V 50/60Hz IP55	2193429
---------------------------------	---------

### Pump control/accessories

#### Antenna GSM/GPRS

D-network dual-band antenna with 3 m cable	2533862
D-network tri-band antenna 10 m cable	2533863
D-network tri-band antenna 15 m cable	2533864
SMA/FME adapter	2545548

#### BMS base module

BMS base module	2533800
-----------------	---------

#### CC communication module BACnet

CC-communication module BACnet MS/TP (slave)	2537050
CC-communication module BACnet IP (slave)	2537051

#### Communication module CC

CC communication module	2533850
-------------------------	---------

#### Communication module GSM

GSM module	2533861
------------	---------

#### Communication module GSM (SC)

Communication module GSM (SC)	2542216
-------------------------------	---------

#### Communication module LON

Communication module LON	2533868
--------------------------	---------

#### Communication module LON (SC)

Communication module LON (SC)	2538243
-------------------------------	---------

#### Communication module ModBus

Communication module Modbus RTU	2533869
---------------------------------	---------

#### Communication module Profibus

Communication module Profibus DP	2533866
----------------------------------	---------

### Connection cable control modules/signalling modules

Control modules connecting cable	2533790
Signalling modules connecting cable	2533890

### DDG impulse selector

DDG impulse selector	2533770
----------------------	---------

### Outdoor temperature sensor Pt 100

Outdoor temperature sensor Pt 100	2533772
-----------------------------------	---------

### Output filter EFC (150-500 m cable length)

2.4 A sin IP54 Wilo-EFC filter	6084559
2.5 A sin IP00 Wilo-EFC filter	6084574
2.5 A sin IP20 Wilo-EFC filter	6084900

### Pump signalling module

Signalling module pump 1-2	2533812
Signalling module pump 3-6	2533836

### SC communication module BACnet

SC-communication module BACnet MS/TP (slave)	2538242
BACnet IP SC communication module	2553366

### SC-HVAC signal board

SC-HVAC signal board	2119646
----------------------	---------

### Signal converter retrofit kit

Signal converter 0-10 V / 0-20 mA	2534992
-----------------------------------	---------

### Temperature module

Temperature module for systems with 4-6 pumps	2533771
Temperature module for systems with 1-3 pumps	2534991

## Pump control/Smart control system

### SC/SC-FC-HVAC system

SC-HVAC system 1x1,6A-WM (direct starting)	2545310
SC-HVAC system 2x1,6A-WM (direct starting)	2545311
SC-HVAC system 3x1,6A-WM (direct starting)	2545312
SC-HVAC system 4x1,6A-WM (direct starting)	2545313
SC-FC-HVAC system 1x1,6A-FC-WM (direct starting)	2545426
SC-FC-HVAC system 2x1,6A-FC-WM (direct starting)	2545427

SC-FC-HVAC system 3x1,6A-FC-WM (direct starting)	2545428
SC-FC-HVAC system 4x1,6A-FC-WM (direct starting)	2545429

## Differential pressure detection

### DDG (4-20mA)

Wilo-DDG 10 Signal Trans.(4-20mA)2G VP.	2136454
Wilo-DDG 20 Signal Trans.(4-20mA)2G VP.	2136456
Wilo-DDG 40 Signal Trans.(4-20mA)2G VP.	2136458
Wilo-DDG 60 Signal Trans.(4-20mA)2G VP.	2136460
Wilo-DDG 100 Signal Trans.(4-20mA)	2211740

## Motor protection

### PTC thermistor tripping unit

PTC thermistor tripping unit	509275993
------------------------------	-----------

### Surcharge for thermistor sensor (dual pumps)

Surcharge for thermistor sensor (dual pumps) <7.5 kW	KLF_7_DP
--	----------

## Services

With Wilo as your partner, you can not only be sure of choosing high-quality product solutions, but also of benefiting from a comprehensive, worry-free package of well thought-out services. We collaborate to develop a service concept tailored to your individual needs; with our expertise and personal consultancy, we make sure that the operation of your systems is as energy-efficient, reliable and economical as possible. All the while our competent Wilo service technicians are ready to assist you with fast, reliable and on-time support.

### Recommended services

Wilo-Live Assistant Service	2216415
Supervision Glanded pumps	2219321
Commissioning Glanded pumps	2219391
Maintenance BASIC Glanded pumps	2219531
Maintenance COMFORT Glanded pumps	2219493
Maintenance PREMIUM Glanded pumps	2219546

### More suitable services

Service Package L Glanded pumps	2219697
Service Package M Glanded pumps	2219668
Service Package S Glanded pumps	2219639
Extended Warranty Glanded pumps	2219590
Installation Glanded pumps	2219356
System Optimisation Glanded pumps	2219251
Energy Solutions Glanded pumps	2219240
Repair Glanded pumps	2219610