



Similar to figure

Data sheet

Hydraulic data

Minimum efficiency index (MEI)	≥0.4
Maximum operating pressure PN	10 bar
Min. fluid temperature T_{min}	-20 °C
Max. fluid temperature T_{max}	120 °C
Max. ambient temperature T_{max}	40 °C

Motor data

Mains connection	3~400 V, 50 Hz
Number of poles	4
Voltage tolerance	±10 %
Motor efficiency class	IE2
Rated power P_2	0.25 kW
Rated current I_N	0.69 A
Rated speed n	1450 1/min
Power factor $\cos \varphi_{100}$	0.70
Motor efficiency 50% $\eta_M 50\%$	68 %
Motor efficiency 75% $\eta_M 75\%$	72.9 %
Motor efficiency 100% $\eta_M 100\%$	74 %
Motor winding up to 3 kW	-
Motor winding from 4 kW	-
Insulation class	F
Protection class motor	IP55
Integrated full motor protection	-

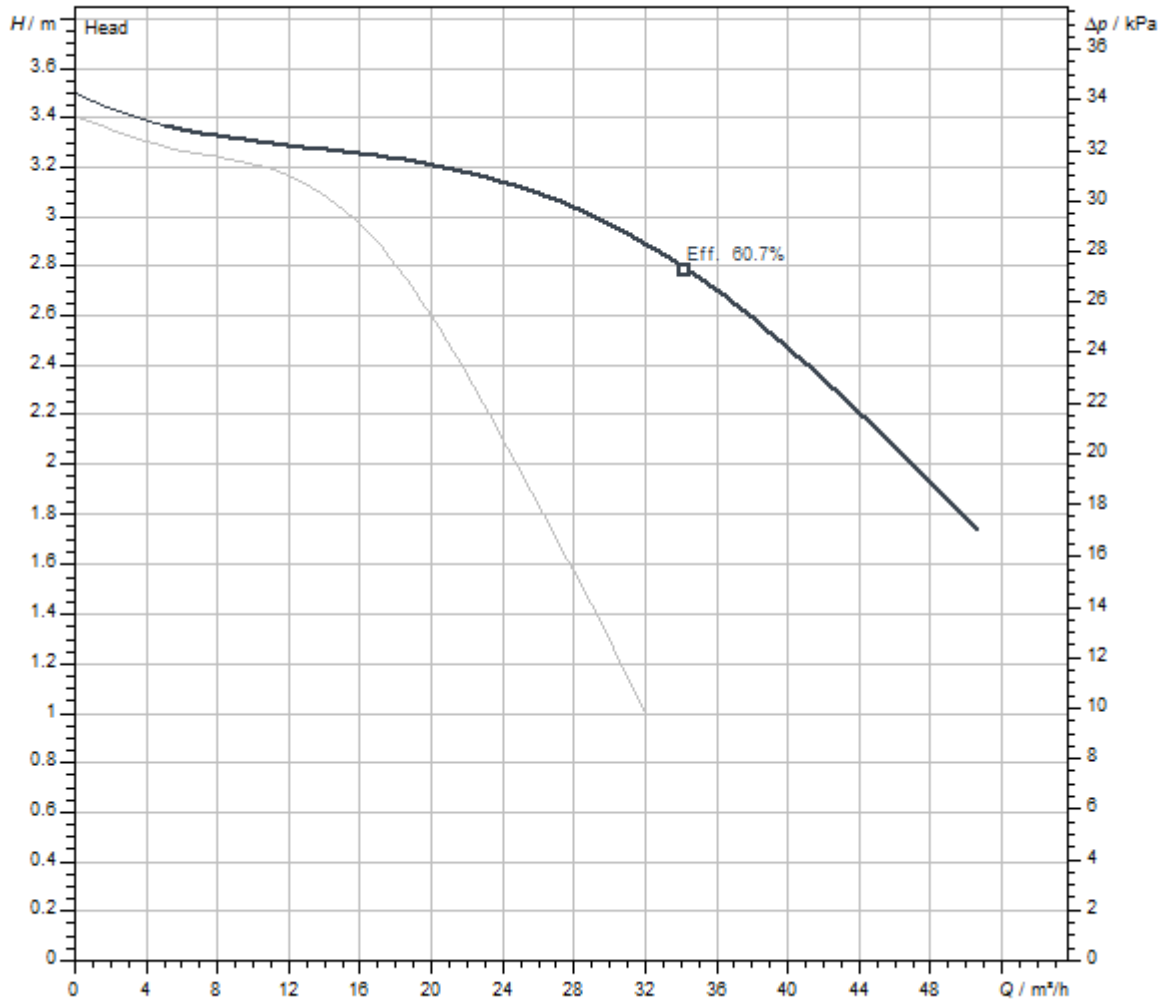
Materials

Pump housing	Grey cast iron
Impeller	PPE/PS-GF30
Shaft	Stainless steel
Mechanical seal	AQ1EGG
Lantern	Grey cast iron

Installation dimensions

Pipe connection on the suction side DN_s	DN 65
Pipe connection on the discharge side DN_d	DN 65
Port-to-port length L_0	340 mm

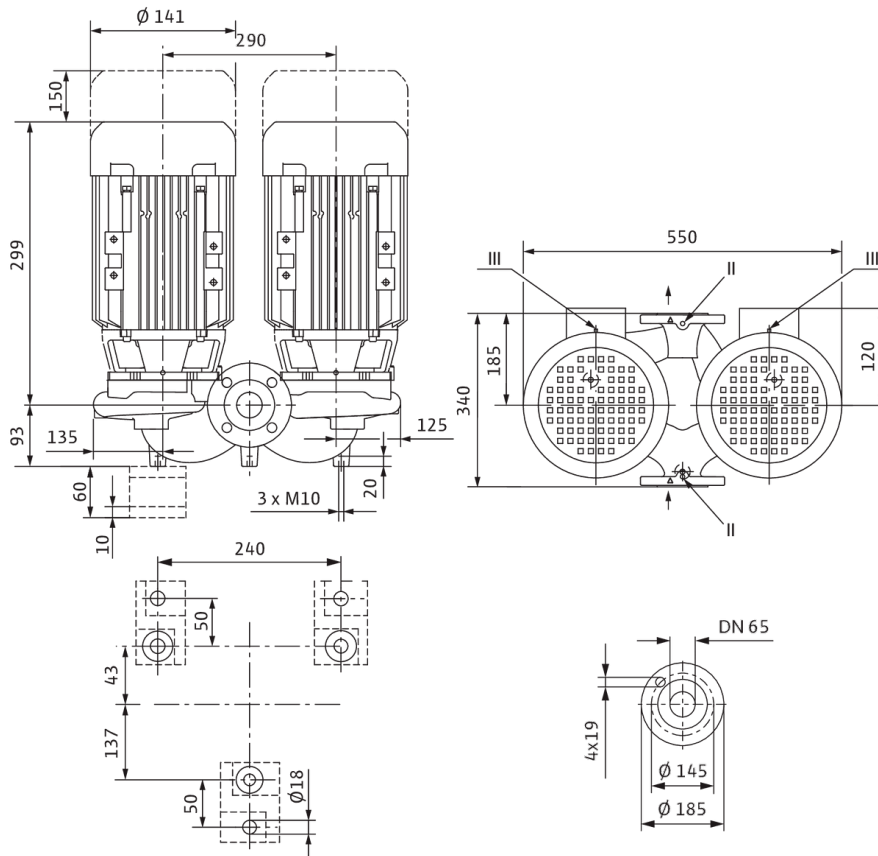
Pump curves



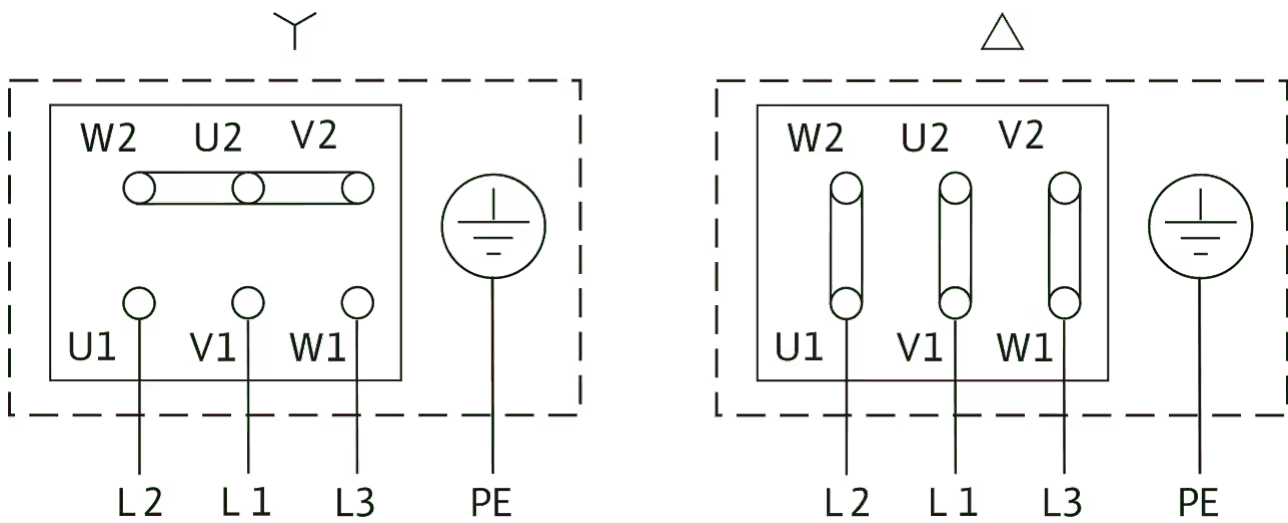
Fluid media	Water 100 %
Fluid temperature T	20.00 °C
speed at duty point $n_{hydr. @ OP}$	1,450 1/min
Impeller diameter $d_{imp.}$	106 mm

Dimensions and dimensions drawings

VeroTwin-DPL 65/110-0,25/4-S1



Wiring diagram



Δ: Connection diagram delta connection

Y: Connection diagram star connection

Motor protection switch required on-site. Check the direction of rotation! To change the direction of rotation, exchange any two phases.

$P_2 \leq 3$ kW 3~400 V Y

3~230 V Δ

$P_2 \geq 4$ kW 3~690 V Y

3~400 V Δ

After removing the bridges, Y-Δ start is possible.

Tender text

In-line twin-head pump with two single-stage glanded centrifugal pumps in the same housing with switchover valve in the pressure port. Pump with compact in-line design with directly flanged three-phase current motor and one-piece shafts or with lanterns and standard motors (version N) rigidly connected by couplings.

The DPL series is suitable for pipe installation or installation on a base. Mounting brackets are available as accessories. With force-flushed circulation,

bidirectional bellows mechanical seals and cavitation-reducing plastic impeller.

Flanges with pressure measuring connections R 1/8. The pump housing and lantern are cathophoretic-coated.

The motor terminal box can be made of metal or plastic. If a metal terminal box is absolutely necessary, please order the appropriate special variant.

Operating Data

Min. fluid temperature T_{\min}	-20 °C
Max. fluid temperature T_{\max}	120 °C
Min. ambient temperature T_{\min}	-15 °C
Max. ambient temperature T_{\max}	40 °C
Maximum operating pressure PN	10 bar
Minimum efficiency index (MEI)	≥ 0.4

Motor data

Motor efficiency class	IE2
Mains connection	3~400 V, 50 Hz
Voltage tolerance	± 10 %
Rated power P_2	250 W
Rated speed n	1450 1/min
Rated current I_N	0.69 A
Power factor $\cos \varphi_{100}$	0.70
Motor efficiency 50% $\eta_M 50\%$	68 %
Motor efficiency 75% $\eta_M 75\%$	72.9 %
Motor efficiency 100% $\eta_M 100\%$	74 %
Insulation class	F
Protection class	IP55


Materials

Pump housing	Grey cast iron
Impeller	PPE/PS-GF30
Shaft	Stainless steel
Shaft seal	AQ1EGG
Lantern	Grey cast iron

Installation dimensions

Pipe connection on the suction side DN_s	DN 65
Pipe connection on the discharge side DN_d	DN 65
Port-to-port length L_0	340 mm

Ordering information

Brand	Wilo
Product description	VeroTwin-DPL 65/110-0,25/4
Net weight, approx. m	50.8 kg
Article number	2133205 

Mechanical accessories

Pipe installation, adapter fitting

Adapter set glanded pumps

Adapter A65-20 SET, DN 65x20mm, PN 16	2085470
Adapter A65-45 Set, DN 65x45mm, PN 16	2085471

Intermediate flange connecting piece F

Intermediate flange pieces F 10, DN 65x20mm, PN 10/16	110624195
Intermediate flange pieces F 11, DN 65x30mm, PN 10/16	110624390
Intermediate flange pieces F 28, DN 65x40mm, PN 10/16	110681590
Intermediate flange pieces F 29, DN 65x45mm, PN 10/16	110681796
Intermediate flange pieces F 41, DN 65x135mm, PN 10/16	2101157
Intermediate flange pieces F 9, DN 65x10mm, PN 10/16	110791690

Wall fixation/installation on a base

Mounting bracket kit

Mounting bracket F 3-12 SET	2040967
-----------------------------	---------

Maintenance/replacement mechanical accessories

Blind flanges, glanded pump

Blind flange P188 set	2023964
-----------------------	---------