



Similar to figure

Data sheet

Hydraulic data

| | |
|------------------------------------|--------|
| Minimum efficiency index (MEI) | ≥0.4 |
| Maximum operating pressure PN | 10 bar |
| Min. fluid temperature T_{min} | -20 °C |
| Max. fluid temperature T_{max} | 120 °C |
| Max. ambient temperature T_{max} | 40 °C |

Motor data

| | |
|--------------------------------------|----------------|
| Mains connection | 3~400 V, 50 Hz |
| Number of poles | 2 |
| Voltage tolerance | ±10 % |
| Motor efficiency class | IE3 |
| Rated power P_2 | 2.2 kW |
| Rated current I_N | 4.5 A |
| Rated speed n | 2900 1/min |
| Power factor $\cos \varphi_{100}$ | 0.81 |
| Motor efficiency 50% $\eta_M 50\%$ | 84.5 % |
| Motor efficiency 75% $\eta_M 75\%$ | 85.9 % |
| Motor efficiency 100% $\eta_M 100\%$ | 85.9 % |
| Motor winding up to 3 kW | - |
| Motor winding from 4 kW | - |
| Insulation class | F |
| Protection class motor | IP55 |
| Integrated full motor protection | - |

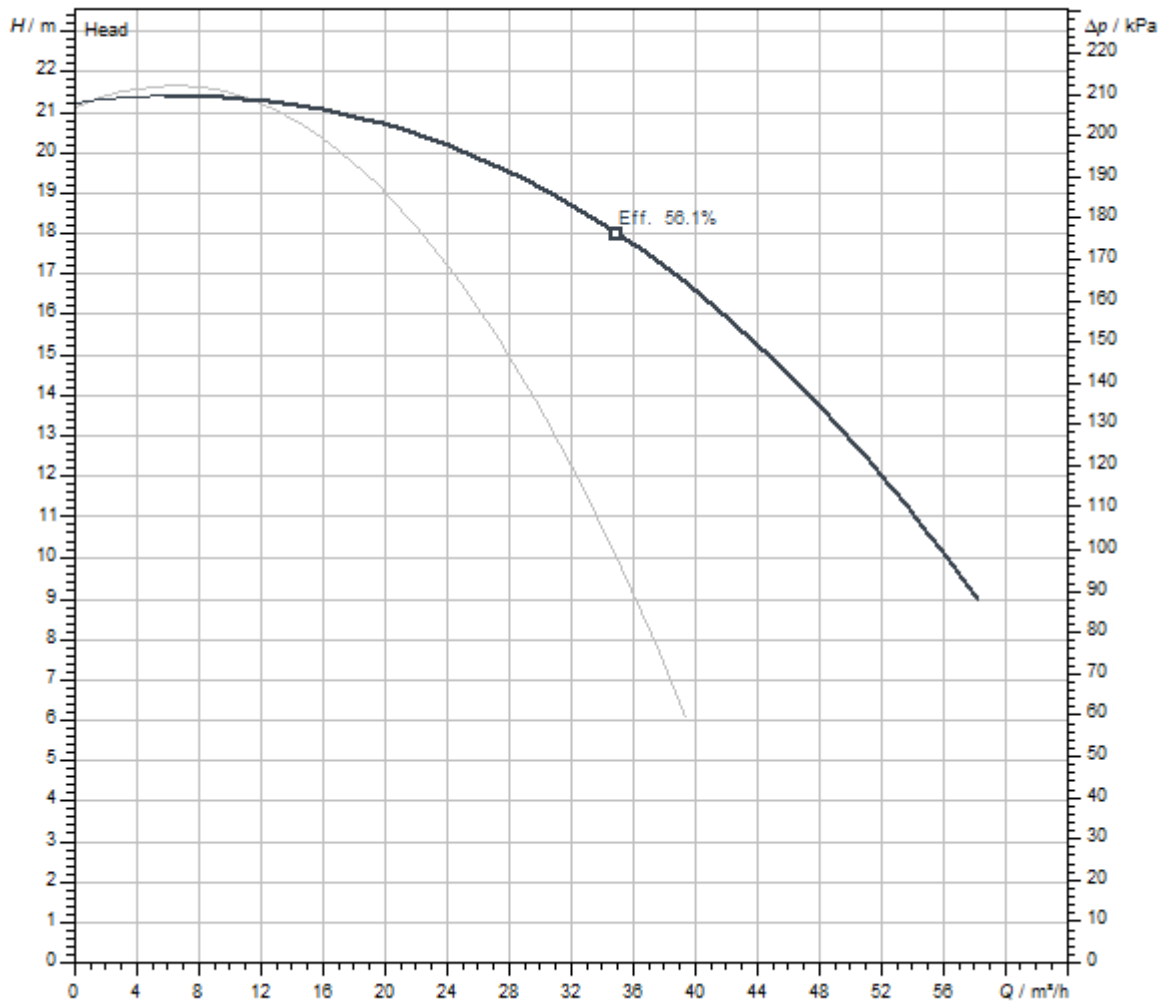
Materials

| | |
|-----------------|-----------------|
| Pump housing | Grey cast iron |
| Impeller | PPE/PS-GF30 |
| Shaft | Stainless steel |
| Mechanical seal | AQ1EGG |
| Lantern | Grey cast iron |

Installation dimensions

| | |
|--|--------|
| Pipe connection on the suction side DN_s | DN 40 |
| Pipe connection on the discharge side DN_d | DN 40 |
| Port-to-port length L_0 | 320 mm |

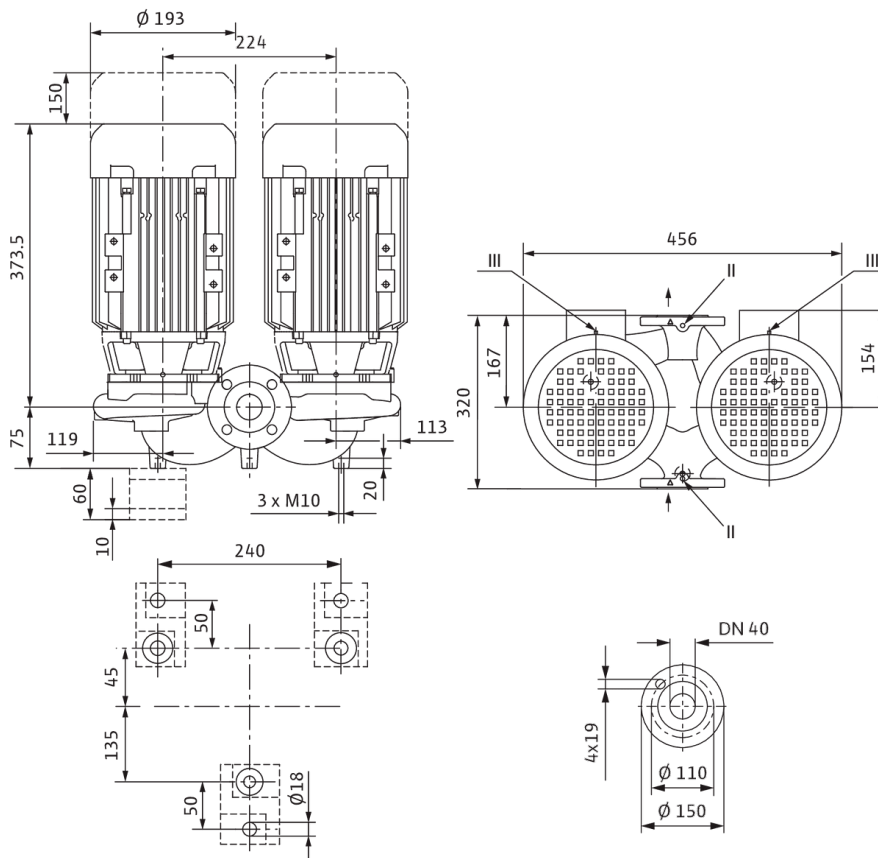
Pump curves



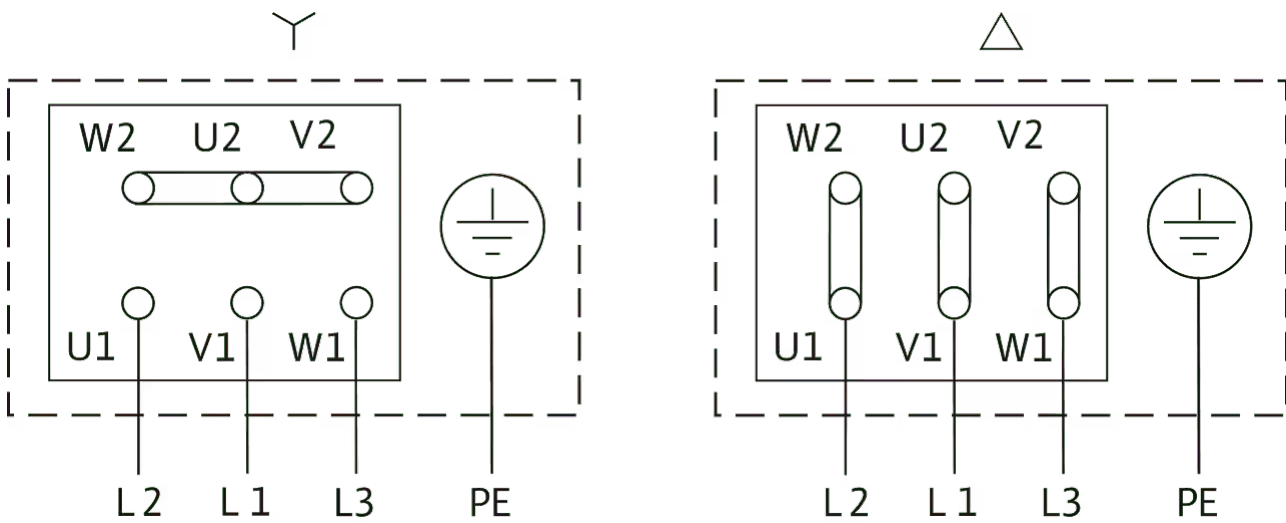
| | |
|--------------------------------------|-------------|
| Fluid media | Water 100 % |
| Fluid temperature T | 20.00 °C |
| speed at duty point $n_{hydr. @ OP}$ | 2,934 1/min |
| Impeller diameter $d_{imp.}$ | 132 mm |

Dimensions and dimensions drawings

VeroTwin-DPL 40/130-2,2/2-S1



Wiring diagram



Δ: Connection diagram delta connection

Y: Connection diagram star connection

Motor protection switch required on-site. Check the direction of rotation! To change the direction of rotation, exchange any two phases.

$P_2 \leq 3$ kW 3~400 V Y

3~230 V Δ

$P_2 \geq 4$ kW 3~690 V Y

3~400 V Δ

After removing the bridges, Y-Δ start is possible.

Tender text

In-line twin-head pump with two single-stage glanded centrifugal pumps in the same housing with switchover valve in the pressure port. Pump with compact in-line design with directly flanged three-phase current motor and one-piece shafts or with lanterns and standard motors (version N) rigidly connected by couplings.

The DPL series is suitable for pipe installation or installation on a base. Mounting brackets are available as accessories. With force-flushed circulation,

bidirectional bellows mechanical seals and cavitation-reducing plastic impeller.

Flanges with pressure measuring connections R 1/8. The pump housing and lantern are cathophoretic-coated.

The motor terminal box can be made of metal or plastic. If a metal terminal box is absolutely necessary, please order the appropriate special variant.

Operating Data

| | |
|------------------------------------|------------|
| Min. fluid temperature T_{min} | -20 °C |
| Max. fluid temperature T_{max} | 120 °C |
| Min. ambient temperature T_{min} | -15 °C |
| Max. ambient temperature T_{max} | 40 °C |
| Maximum operating pressure PN | 10 bar |
| Minimum efficiency index (MEI) | ≥ 0.4 |

Motor data

| | |
|--------------------------------------|----------------|
| Motor efficiency class | IE3 |
| Mains connection | 3~400 V, 50 Hz |
| Voltage tolerance | ± 10 % |
| Rated power P_2 | 2200 W |
| Rated speed n | 2900 1/min |
| Rated current I_N | 4.5 A |
| Power factor $\cos \varphi_{100}$ | 0.81 |
| Motor efficiency 50% $\eta_M 50\%$ | 84.5 % |
| Motor efficiency 75% $\eta_M 75\%$ | 85.9 % |
| Motor efficiency 100% $\eta_M 100\%$ | 85.9 % |
| Insulation class | F |
| Protection class | IP55 |


Materials

| | |
|--------------|-----------------|
| Pump housing | Grey cast iron |
| Impeller | PPE/PS-GF30 |
| Shaft | Stainless steel |
| Shaft seal | AQ1EGG |
| Lantern | Grey cast iron |

Installation dimensions

| | |
|--|--------|
| Pipe connection on the suction side DN_s | DN 40 |
| Pipe connection on the discharge side DN_d | DN 40 |
| Port-to-port length L_0 | 320 mm |

Ordering information

| | |
|-------------------------|--|
| Brand | Wilo |
| Product description | VeroTwin-DPL 40/130-2,2/2 |
| Net weight, approx. m | 66.5 kg |
| Article number | 2121245  |

Installation type

Continuous, infinitely variable control, differential pressure-sensitive CC-HVAC system

CC-HVAC system

| | |
|-------------------------------------|---------|
| CC-HVAC-System 2x5.6A-T34-DOL-FC-WM | 2527813 |
| CC-HVAC-System 3x5.6A-T34-DOL-FC-WM | 2527814 |

Antenna GSM/GPRS

| | |
|--|---------|
| D-network dual-band antenna with 3 m cable | 2533862 |
| D-network tri-band antenna 10 m cable | 2533863 |
| D-network tri-band antenna 15 m cable | 2533864 |

Outdoor temperature sensor Pt 100

| | |
|-----------------------------------|---------|
| Outdoor temperature sensor Pt 100 | 2533772 |
|-----------------------------------|---------|

DDG impulse selector

| | |
|----------------------|---------|
| DDG impulse selector | 2533770 |
|----------------------|---------|

BMS base module

| | |
|-----------------|---------|
| BMS base module | 2533800 |
|-----------------|---------|

CC communication module BACnet

| | |
|--|---------|
| CC-communication module BACnet IP (slave) | 2537051 |
| CC-communication module BACnet MS/TP (slave) | 2537050 |

Communication module LON

| | |
|--------------------------|---------|
| Communication module LON | 2533868 |
|--------------------------|---------|

Communication module ModBus

| | |
|---------------------------------|---------|
| Communication module Modbus RTU | 2533869 |
|---------------------------------|---------|

Communication module Profibus

| | |
|----------------------------------|---------|
| Communication module Profibus DP | 2533866 |
|----------------------------------|---------|

Communication module GSM

| | |
|------------|---------|
| GSM module | 2533861 |
|------------|---------|

Pump signalling module

| | |
|----------------------------|---------|
| Signalling module pump 1-2 | 2533812 |
| Signalling module pump 3-6 | 2533836 |

Signal converter retrofit kit

| | |
|-----------------------------------|---------|
| Signal converter 0-10 V / 0-20 mA | 2534992 |
|-----------------------------------|---------|

Connection cable control modules/signalling modules

| | |
|-------------------------------------|---------|
| Control modules connecting cable | 2533790 |
| Signalling modules connecting cable | 2533890 |

DDG (4-20mA)

| | |
|---|---------|
| Wilo-DDG 10 Signal Trans.(4-20mA)2G VP. | 2136454 |
| Wilo-DDG 100 Signal Trans.(4-20mA) | 2211740 |
| Wilo-DDG 20 Signal Trans.(4-20mA)2G VP. | 2136456 |
| Wilo-DDG 40 Signal Trans.(4-20mA)2G VP. | 2136458 |
| Wilo-DDG 60 Signal Trans.(4-20mA)2G VP. | 2136460 |

PTC thermistor tripping unit

| | |
|------------------------------|-----------|
| PTC thermistor tripping unit | 509275993 |
|------------------------------|-----------|

Continuous, infinitely variable control, temperature-dependent CC-HVAC system

CC-HVAC system

| | |
|-------------------------------------|---------|
| CC-HVAC-System 2x5.6A-T34-DOL-FC-WM | 2527813 |
| CC-HVAC-System 3x5.6A-T34-DOL-FC-WM | 2527814 |

Antenna GSM/GPRS

| | |
|--|---------|
| D-network dual-band antenna with 3 m cable | 2533862 |
| D-network tri-band antenna 10 m cable | 2533863 |
| D-network tri-band antenna 15 m cable | 2533864 |

Outdoor temperature sensor Pt 100

| | |
|-----------------------------------|---------|
| Outdoor temperature sensor Pt 100 | 2533772 |
|-----------------------------------|---------|

BMS base module

| | |
|-----------------|---------|
| BMS base module | 2533800 |
|-----------------|---------|

CC communication module BACnet

| | |
|--|---------|
| CC-communication module BACnet IP (slave) | 2537051 |
| CC-communication module BACnet MS/TP (slave) | 2537050 |

Communication module LON

| | |
|--------------------------|---------|
| Communication module LON | 2533868 |
|--------------------------|---------|

Communication module ModBus

| | |
|---------------------------------|---------|
| Communication module Modbus RTU | 2533869 |
|---------------------------------|---------|

Communication module Profibus

| | |
|----------------------------------|---------|
| Communication module Profibus DP | 2533866 |
|----------------------------------|---------|

Communication module GSM

| | |
|------------|---------|
| GSM module | 2533861 |
|------------|---------|

Pump signalling module

| | |
|----------------------------|---------|
| Signalling module pump 1-2 | 2533812 |
|----------------------------|---------|

| | |
|----------------------------|---------|
| Signalling module pump 3-6 | 2533836 |
|----------------------------|---------|

Signal converter retrofit kit

| | |
|-----------------------------------|---------|
| Signal converter 0-10 V / 0-20 mA | 2534992 |
|-----------------------------------|---------|

Temperature module

| | |
|---|---------|
| Temperature module for systems with 1-3 pumps | 2534991 |
|---|---------|

| | |
|---|---------|
| Temperature module for systems with 4-6 pumps | 2533771 |
|---|---------|

Connection cable control modules/signalling modules

| | |
|----------------------------------|---------|
| Control modules connecting cable | 2533790 |
|----------------------------------|---------|

| | |
|-------------------------------------|---------|
| Signalling modules connecting cable | 2533890 |
|-------------------------------------|---------|

PTC thermistor tripping unit

| | |
|------------------------------|-----------|
| PTC thermistor tripping unit | 509275993 |
|------------------------------|-----------|

Continuous, infinitely variable control, differential pressure-sensitive SC-HVAC system
SC/SC-FC-HVAC system

| | |
|--|---------|
| SC-FC-HVAC system 1x6,3A-FC-WM (direct starting) | 2545438 |
|--|---------|

| | |
|--|---------|
| SC-FC-HVAC system 2x6,3A-FC-WM (direct starting) | 2545439 |
|--|---------|

| | |
|--|---------|
| SC-FC-HVAC system 3x6,3A-FC-WM (direct starting) | 2545440 |
|--|---------|

| | |
|--|---------|
| SC-FC-HVAC system 4x6,3A-FC-WM (direct starting) | 2545441 |
|--|---------|

| | |
|--|---------|
| SC-HVAC system 1x6,3A-WM (direct starting) | 2545322 |
|--|---------|

| | |
|--|---------|
| SC-HVAC system 2x6,3A-WM (direct starting) | 2545323 |
|--|---------|

| | |
|--|---------|
| SC-HVAC system 3x6,3A-WM (direct starting) | 2545324 |
|--|---------|

| | |
|--|---------|
| SC-HVAC system 4x6,3A-WM (direct starting) | 2545325 |
|--|---------|

Antenna GSM/GPRS

| | |
|--|---------|
| D-network dual-band antenna with 3 m cable | 2533862 |
|--|---------|

| | |
|---------------------------------------|---------|
| D-network tri-band antenna 10 m cable | 2533863 |
|---------------------------------------|---------|

| | |
|---------------------------------------|---------|
| D-network tri-band antenna 15 m cable | 2533864 |
|---------------------------------------|---------|

Outdoor temperature sensor Pt 100

| | |
|-----------------------------------|---------|
| Outdoor temperature sensor Pt 100 | 2533772 |
|-----------------------------------|---------|

DDG impulse selector

| | |
|----------------------|---------|
| DDG impulse selector | 2533770 |
|----------------------|---------|

Communication module LON (SC)

| | |
|-------------------------------|---------|
| Communication module LON (SC) | 2538243 |
|-------------------------------|---------|

SC communication module BACnet

| | |
|--|---------|
| SC-communication module BACnet MS/TP (slave) | 2538242 |
|--|---------|

Communication module GSM (SC)

| | |
|-------------------------------|---------|
| Communication module GSM (SC) | 2542216 |
|-------------------------------|---------|

Pump signalling module

| | |
|----------------------------|---------|
| Signalling module pump 1-2 | 2533812 |
| Signalling module pump 3-6 | 2533836 |

SC-HVAC signal board

| | |
|----------------------|---------|
| SC-HVAC signal board | 2119646 |
|----------------------|---------|

DDG (4-20mA)

| | |
|---|---------|
| Wilo-DDG 10 Signal Trans.(4-20mA)2G VP. | 2136454 |
| Wilo-DDG 100 Signal Trans.(4-20mA) | 2211740 |
| Wilo-DDG 20 Signal Trans.(4-20mA)2G VP. | 2136456 |
| Wilo-DDG 40 Signal Trans.(4-20mA)2G VP. | 2136458 |
| Wilo-DDG 60 Signal Trans.(4-20mA)2G VP. | 2136460 |

PTC thermistor tripping unit

| | |
|------------------------------|-----------|
| PTC thermistor tripping unit | 509275993 |
|------------------------------|-----------|

Continuous, infinitely variable control, temperature-dependent SC-HVAC system

SC/SC-FC-HVAC system

| | |
|--|---------|
| SC-FC-HVAC system 1x6,3A-FC-WM (direct starting) | 2545438 |
| SC-FC-HVAC system 2x6,3A-FC-WM (direct starting) | 2545439 |
| SC-FC-HVAC system 3x6,3A-FC-WM (direct starting) | 2545440 |
| SC-FC-HVAC system 4x6,3A-FC-WM (direct starting) | 2545441 |
| SC-HVAC system 1x6,3A-WM (direct starting) | 2545322 |
| SC-HVAC system 2x6,3A-WM (direct starting) | 2545323 |

| | |
|--|---------|
| SC-HVAC system 3x6,3A-WM (direct starting) | 2545324 |
| SC-HVAC system 4x6,3A-WM (direct starting) | 2545325 |

Antenna GSM/GPRS

| | |
|--|---------|
| D-network dual-band antenna with 3 m cable | 2533862 |
| D-network tri-band antenna 10 m cable | 2533863 |
| D-network tri-band antenna 15 m cable | 2533864 |

Outdoor temperature sensor Pt 100

| | |
|-----------------------------------|---------|
| Outdoor temperature sensor Pt 100 | 2533772 |
|-----------------------------------|---------|

Communication module LON (SC)

| | |
|-------------------------------|---------|
| Communication module LON (SC) | 2538243 |
|-------------------------------|---------|

SC communication module BACnet

| | |
|--|---------|
| SC-communication module BACnet MS/TP (slave) | 2538242 |
|--|---------|

Communication module GSM (SC)

| | |
|-------------------------------|---------|
| Communication module GSM (SC) | 2542216 |
|-------------------------------|---------|

Pump signalling module

| | |
|----------------------------|---------|
| Signalling module pump 1-2 | 2533812 |
| Signalling module pump 3-6 | 2533836 |

SC-HVAC signal board

| | |
|----------------------|---------|
| SC-HVAC signal board | 2119646 |
|----------------------|---------|

PTC thermistor tripping unit

| | |
|------------------------------|-----------|
| PTC thermistor tripping unit | 509275993 |
|------------------------------|-----------|