

## Quiet running vertical multi-stage centrifugal pumps, supplied with flanges

### Applications

Spray irrigation systems, hydropneumatic sets and industrial installations.

### Materials

Pump body and impellers in stainless steel AISI 304.  
Diffusers in technopolymer.  
Mechanical seal in graphite and alumine.  
Motor housing in aluminium L-2521.  
Flanges, suction and discharge connections in cast iron.  
Motor shaft in stainless steel AISI 420.  
**Multi35N 8 and 10 / Multi55N 6 and 7:** in stainless steel AISI 303.

### Limitations

Maximum temperature of liquid: 40 °C

### Equipment

Supplied with oval counter flanges DIN 2558.

### Motor

Asynchronous, two poles.  
IP X5 protection.  
Class F insulation.  
Continuous operation.  
Efficiency IE3.

**Multi25:** Single phase version up to 1.5 HP built-in thermal protection.

**Multi35N:** Single phase version up to 1 HP built-in thermal protection.  
Energy Index MEI $\geq$ 0,4 for Multi 25/35.  
Energy Index MEI $\geq$ 0,4 for Multi 55.



WATER SUPPLY SURFACE  
HORIZONTAL & VERTICAL

### Hydraulic performance table

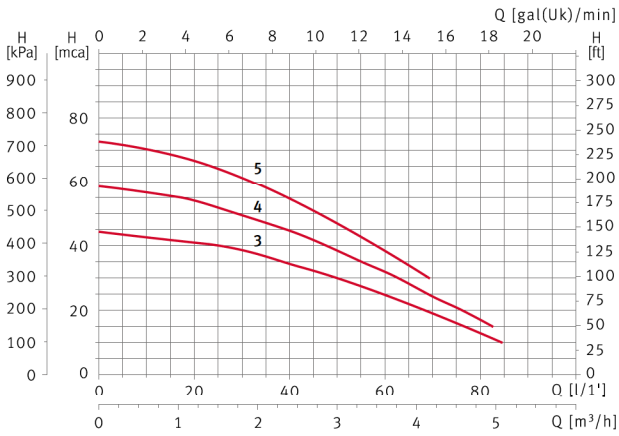
Model	I [A]			P1 [kW]		P2		c	l/min	8	17	25	33	42	58	75	92	1-230 V (model M)	3-400 V (model T)
	1~230 V	3~230 V	3~400 V	1~230 V	3~400 V	[kW]	[HP]			[μF]	m³/h	0.5	1.0	1.5	2.0	2.5	3.5	4.5	5.5
MULTI 25.3	4.5	3.2	1.9	1.0	0.9	0.55	0.75	6	mwc	38.2	38	35.7	33.5	31	25	17	7.2	00134926	00134929
MULTI 25.4	5.8	3.9	2.3	1.2	1.1	0.75	1	16		52.7	51	48.2	45.8	42	33	22	9	00134927	00134930
MULTI 25.5	6.4	4.2	2.5	1.4	1.3	0.9	1.25	16		66.5	64	61.2	57.5	52.5	41	27	12	00134928	00134931

Model	I [A]			P1 [kW]		P2		c	l/min	17	33	50	75	100	125	150	175	1-230 V (Model M)	3-400 V (Model T)
	1~230 V	3~230 V	3~400 V	1~230 V	3~400 V	[kW]	[HP]			[μF]	m³/h	1.0	2.0	3.0	4.5	6.0	7.5	9.0	10.5
MULTI 35.3MN	6.7			1.5		0.75	1	25	mwc	39	37.5	35.5	31.5	27	21	15	7	00129334	00129338
MULTI 35.4MN	8.4	5.3	3.1	1.8	1.8	1.1	1.5	25		54	51	48	44	37	29.5	21	11.8	00129335	00129339
MULTI 35.5MN	10.2	6.9	4	2.3	2.2	1.5	2	30		65.4	63.5	60	54.5	46	36	26.2	15	00129336	00129340
MULTI 35.6N		8.3	4.8		2.7	2.2	3			82	79.5	76	69	61	49	36.7	23		00129341
MULTI 35.8N		11.9	6.5		3.6	3	4			108	105	101	93	85	70	53	35		00129342
MULTI 35.10N		15.4	8.9		4.9	4	5.5			134	130	125	117	105	90	70	47		00129337

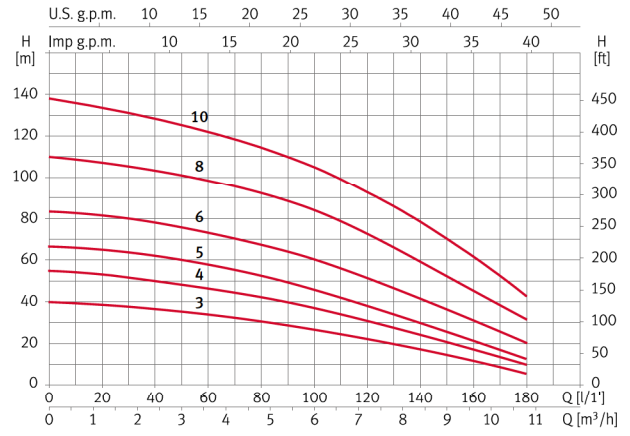
Model	I [A]			P1 [kW]		P2		l/min	20	50	75	100	150	200	250	300	1-230 V (Model M)	3-400 V (model T)
	3~230 V	3~400 V	3~400 V	[kW]	[HP]	m³/h	1.2		3.0	4.5	6.0	9.0	12	15	18		Code	Code
MULTI 55.3MN	6.6	3.8	2.1	1.5	2	mwc	37	35	33	31	28	24	18	10		00131483	00131484	
MULTI 55.4N	8.3	4.8	2.8	2.2	3		50	47	45	43	39	33	26	16			00131485	
MULTI 55.6N	12.1	7	4.2	3	4		77	73	70	66	60	52	43	29			00131486	
MULTI 55.7N	15.6	9	4.9	4	5.5		90	86	82	78	70	60	50	35			00131487	

## Performance curves at 2900 rpm

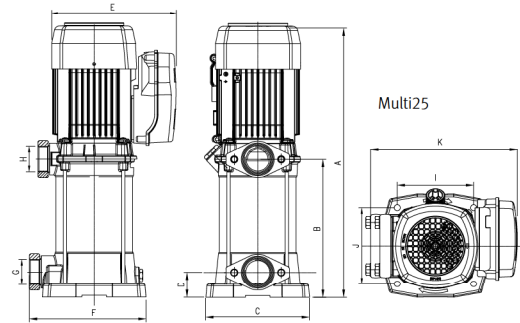
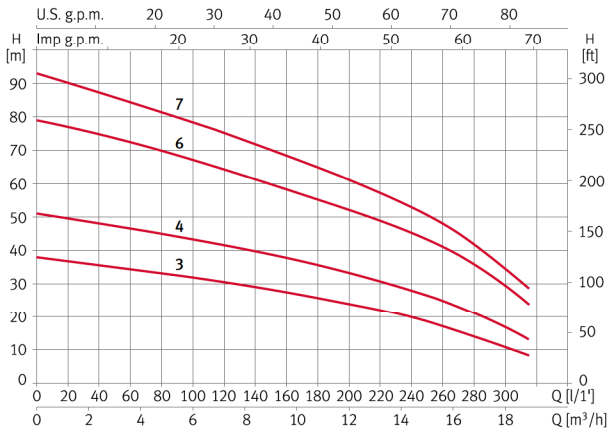
### Multi25



### Multi35 N



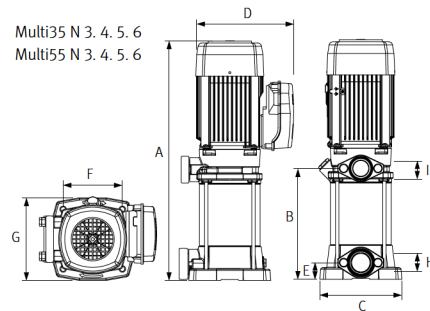
### Multi55 N



## Dimensions and weights

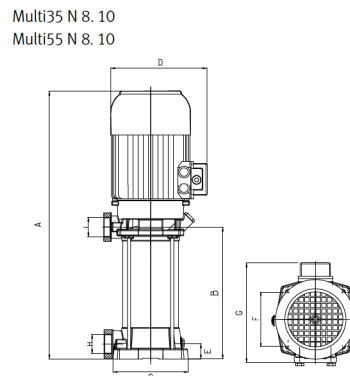
### Multi25

Model	A	B	C	D	E	F	G	H	I	J	K	L	Kg
MULTI 25.3M	398	194	170	42	182	191	1 1/4"	1 1/4"	125	197	193	125	16.2
MULTI 25.4M	422	205	170	42	182	191	1 1/4"	1 1/4"	125	197	193	125	17.3
MULTI 25.5M	441	226	170	42	182	191	1 1/4"	1 1/4"	125	197	193	125	17.9



### Multi35 N / Multi55 N

Model	A	B	C	D	E	F	G	H	I	Kg
MULTI 35.3MN	487	201.5	184	203	37	133	201	1 1/2"	1 1/4"	20.2/20
MULTI 35.4MN	511.5	226	184	203	37	133	201	1 1/2"	1 1/4"	22.4/20.4
MULTI 35.5MN	536	250.5	184	203	37	133	201	1 1/2"	1 1/4"	25.1/22.7
MULTI 35.6N	561	275	184	203	37	133	201	1 1/2"	1 1/4"	25.7
MULTI 35.8N	657.5	323	184	233	37	133	201	1 1/2"	1 1/4"	32.6
MULTI 35.10N	707.5	373	184	233	37	133	201	1 1/2"	1 1/4"	39.4
MULTI 55.3MN	531	245	184	203	37	133	201	1 1/2"	1 1/4"	25.7/23.3
MULTI 55.4N	571	285	184	203	37	133	201	1 1/2"	1 1/4"	26.6
MULTI 55.6N	696	362	184	203	37	133	201	1 1/2"	1 1/4"	35.4
MULTI 55.7N	736	402	184	203	37	133	201	1 1/2"	1 1/4"	39.7



\*Service kits are available on request