



Data sheet

Hydraulic data

Maximum operating pressure P_N	10 bar
Max. fluid temperature T_{max}	95 °C
Min. fluid temperature T_{min}	2 °C
Min. ambient temperature T_{min}	-10 °C
Max. ambient temperature T_{max}	40 °C
Temperature range at max. ambient temperature +40 °C T	+2...+70
Max. permitted total water hardness	3.57 mmol/l (20°dH)

Motor data

Mains connection	1~230 V, 50/60 Hz
Rated power P_2	0.02 kW
Rated current I_N	0.26 A
Min. speed n_{min}	700 1/min
Max. speed n_{max}	3400 1/min
Power consumption $P_{1 min}$	4 W
Power consumption $P_{1 max}$	20 W
Emitted interference	EN 61000-6-3
Interference resistance	EN 61000-6-2
Electromagnetic compatibility	EN 61800-3
Insulation class	F
Protection class motor	IPX4D
Speed control	Frequency converter
Motor protection	integrated

Materials

Pump housing	1.4409
Impeller	PPO-GF30
Shaft	Oxide ceramic
Bearing	Carbon-graphite

Installation dimensions

Pipe connection on the suction side DN_s	G 1¼
Pipe connection on the discharge side DN_d	G 1¼
Port-to-port length L_0	150 mm

Equipment/function

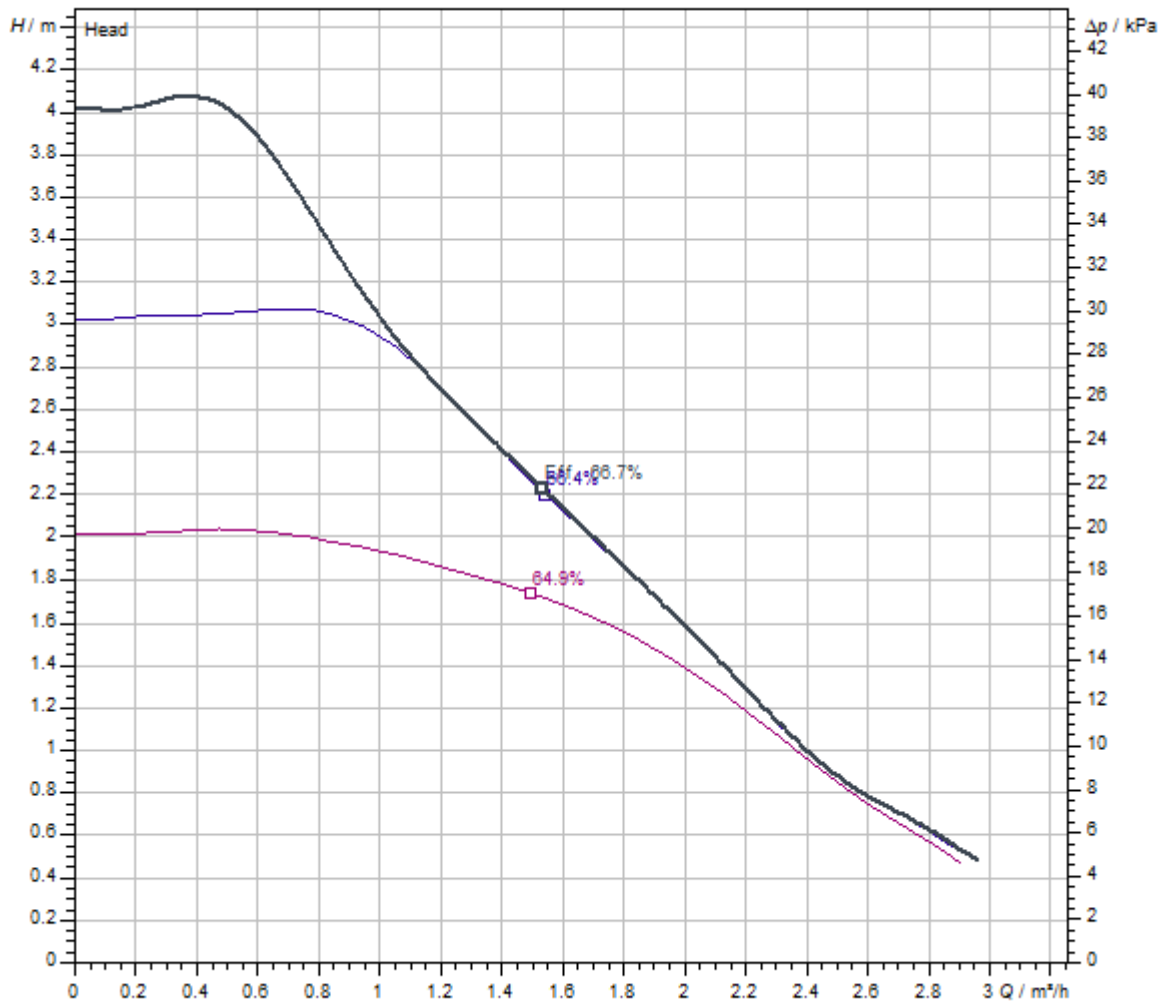
Function

Control mode	Δp -c for constant differential pressure
	Constant speed (3 speed stages)
	Constant speed (n-const.)
Display	Actual volume flow
	Actual power consumption
Pump venting function	Manual

Equipment

Approvals and labels	CE
	VDE
	EAC
	UKCA
	TR
	RCM
Display	LED segment display
Display information	Basic Version: LED display (small) for showing the set head or speed stage.
Pump control	Electronic-controlled pump
Quick electrical connection	Wilo Connector
Thermal insulation shell	Yes
Operating elements	Green button

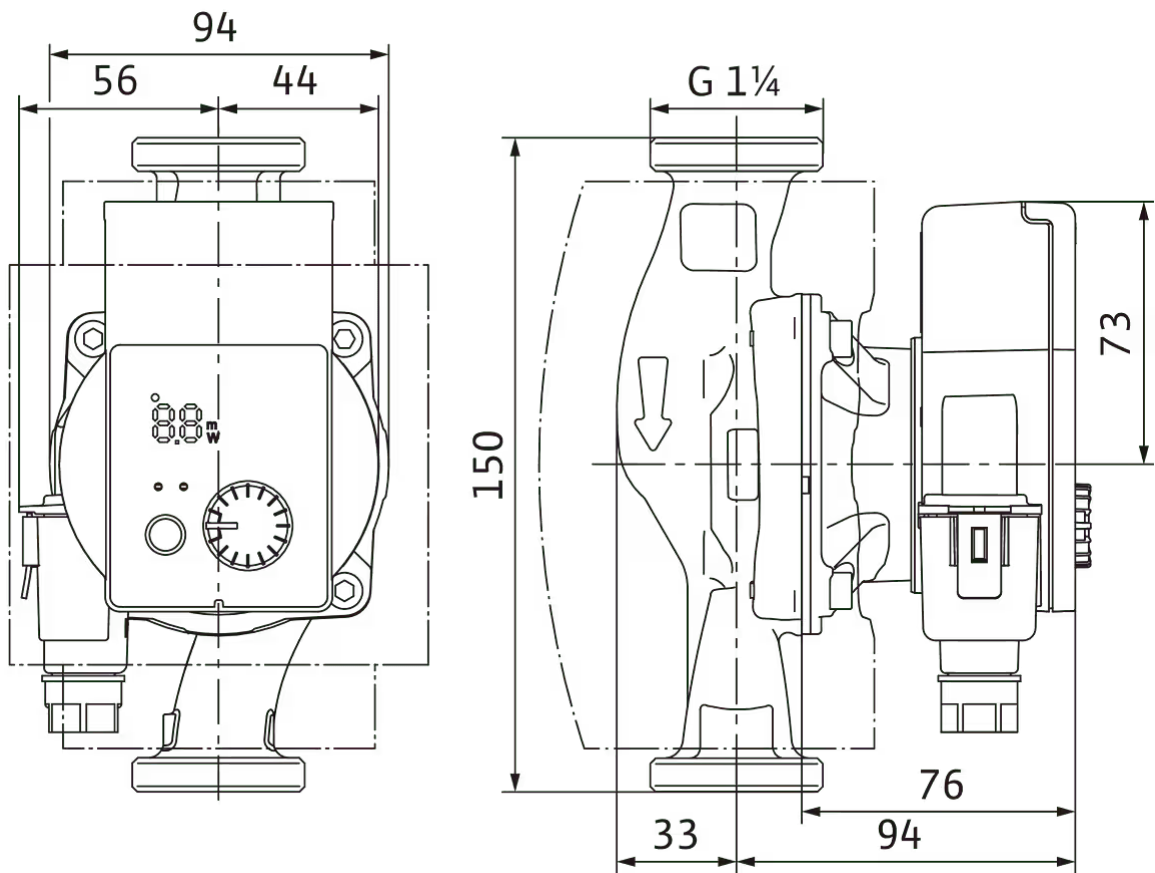
Pump curves



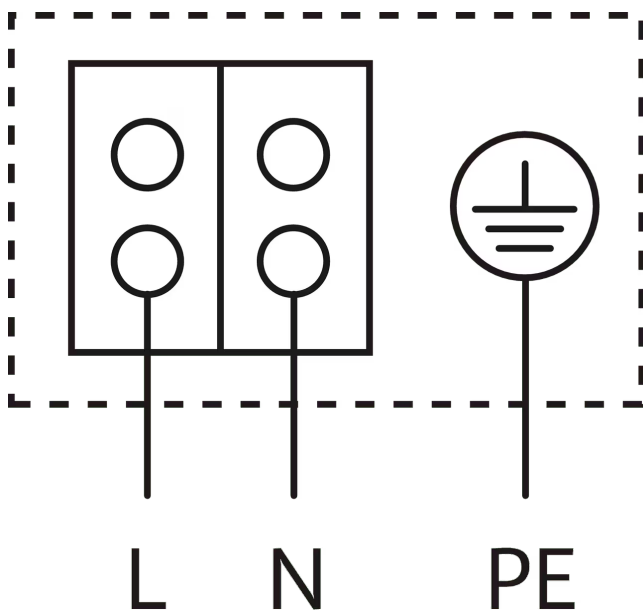
Fluid media	Water 100 %
Fluid temperature <i>T</i>	20.00 °C
speed at duty point <i>n hydr. @ OP</i>	2,900 1/min

Dimensions and dimensions drawings

Yonos PICO-Z 20/0,5-4 150



Wiring diagram




Blocking current-proof motor

Single-phase motor (EM) 2-pole - 1~230 V, 50 Hz

Ordering information

Product data

Brand	Wilo
Product description	Yonos PICO-Z 20/0,5-4 150
Article number	4255412 
EAN number	4062679265803
Colour	Green
Minimum order quantity	1
Date of sales availability	2023-04-01

Packaging

Packaging type	Cardboard box
Packaging property	Sales packaging
Pieces per pallet	146
Number per layer	20

Dimension, weight

Length with packaging	194 mm
Length <i>L</i>	156 mm
Height with packaging	121 mm
Height <i>H</i>	115 mm
Width with packaging	213 mm
Width <i>W</i>	153 mm
Gross weight, approx. <i>m</i>	1.8 kg
Net weight, approx. <i>m</i>	1.5 kg

Tender text

This circulator is suitable only for drinking water.

Maintenance-free domestic hot water circulator (glandless pump version) with screwed connection, blocking-current proof synchronous motor according to ECM technology and built-in electronic power control for continuous differential pressure control. Suitable for all domestic hot water systems (+2 to +95 °C).

Standard-equipped with:

- > Preselectable control modes for optimum load adjustment:
 - > Δp -c for constant differential pressure
 - > Constant speed (3 constant speed stages)
 - > Constant speed (continuously adjustable)
- > LED display for setting the setpoint, displaying current consumption in watts and flow rate in m³/h
- > Integrated motor protection
- > Automatic deblocking function
- > Manual pump venting function for venting the rotor chamber
- > Manual restart
- > Pump housing made of stainless steel
- > Quick electrical connection with Wilo-Connector
- > Thermal insulation shell

Operating Data

Max. fluid temperature T_{max}	95 °C
Min. fluid temperature T_{min}	2 °C
Min. ambient temperature T_{min}	-10 °C
Max. ambient temperature T_{max}	40 °C
Temperature range at max. ambient temperature +40 °C T	+2...+70
Maximum operating pressure PN	10 bar
Max. permitted total water hardness	3.57 mmol/l (20°dH)

Motor data

Emitted interference	EN 61000-6-3
Interference resistance	EN 61000-6-2
Mains connection	1~230 V, 50/60 Hz
Power consumption $P_{1 max}$	20 W
Max. speed n_{max}	3400 1/min
Rated current I_N	0.26 A
Protection class motor	IPX4D
Threaded cable connection	1 x PG11


Materials

Pump housing	1.4409
Impeller	PPO-GF30
Shaft	Oxide ceramic
Bearing	Carbon-graphite

Installation dimensions

Pipe connection on the suction side DN_s	G 1¼
Pipe connection on the discharge side DN_d	G 1¼
Port-to-port length L_0	150 mm

Ordering information

Brand	Wilo
Product description	Yonos PICO-Z 20/0,5-4 150
Net weight, approx. m	1.5 kg
Article number	4255412 

Mechanical accessories

Pipe installation

Screwed connections/adapters

Screwed connection Rp ¾ x G 1¼, 1 Set	4233251
---------------------------------------	---------

Electrical accessories

Pump control

Timer switch SK 601N

Switchgear SK 601N	2120443
--------------------	---------

Plug

Connector

Wilo-Connector	4200870
----------------	---------

Services

With Wilo as your partner, you can not only be sure of choosing high-quality product solutions, but also of benefiting from a comprehensive, worry-free package of well thought-out services. We collaborate to develop a service concept tailored to your individual needs; with our expertise and personal consultancy, we make sure that the operation of your systems is as energy-efficient, reliable and economical as possible. All the while our competent Wilo service technicians are ready to assist you with fast, reliable and on-time support.

Recommended services

Wilo-Live Assistant Service	2216415
-----------------------------	---------

System Optimisation Glandless pumps	2219250
-------------------------------------	---------

Energy Solutions Glandless pumps	2219285
----------------------------------	---------

More suitable services

Extended Warranty Glandless pumps	2219589
-----------------------------------	---------

Supervision Glandless pumps	2219320
-----------------------------	---------

Installation Glandless pumps	2219355
------------------------------	---------

Commissioning Glandless pumps	2219390
-------------------------------	---------

Maintenance BASIC Glandless pumps	2219530
Maintenance COMFORT Glandless pumps	2219416
Maintenance PREMIUM Glandless pumps	2219545

Repair Glandless pumps	2219609
------------------------	---------