



Data sheet

Hydraulic data

Maximum operating pressure P_N	6 bar
Discharge port	G 1
Min. fluid temperature T_{min}	5 °C
Max. fluid temperature T_{max}	35 °C
Min. ambient temperature T_{min}	0 °C
Max. ambient temperature T_{max}	40 °C

Motor data

Mains connection	1~230 V, 50 Hz
Voltage tolerance	±10 %
Shaft power $P_2(Q=max.)$ of selected impeller * number of pumps <i>NO VALUE</i>	750 W
Rated power P_2	0.75 kW
Rated current I_N	5 A
Rated speed n	2850 1/min
Insulation class	F
Protection class	IPX4

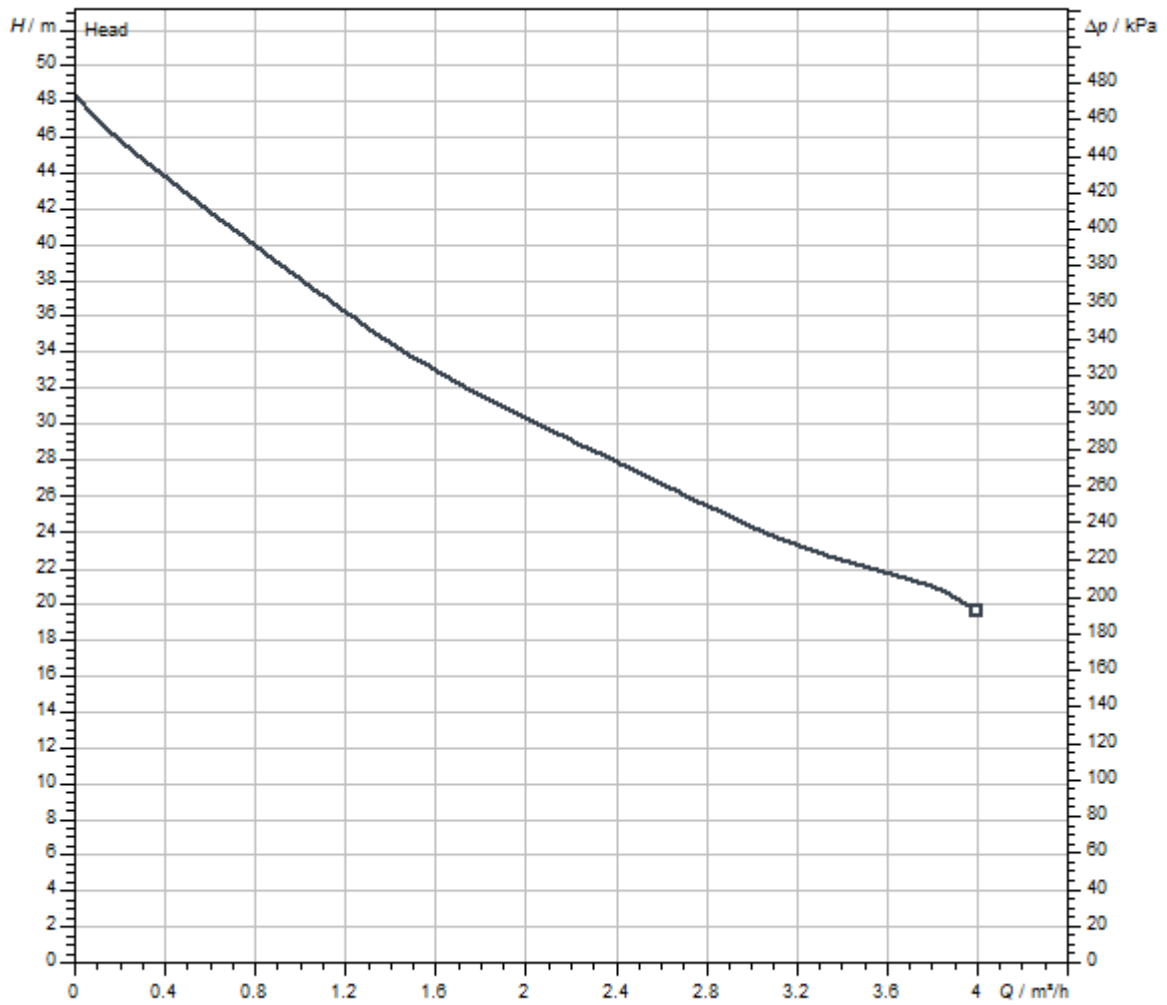
Materials

Pump housing	Grey cast iron
Impeller	Stainless steel
Shaft	Steel
Shaft seal	BQ1PFF
Gasket material	NBR

Installation dimensions

Pipe connection on the suction side DNs	G 1
Pipe connection on the discharge side DNd	G 1

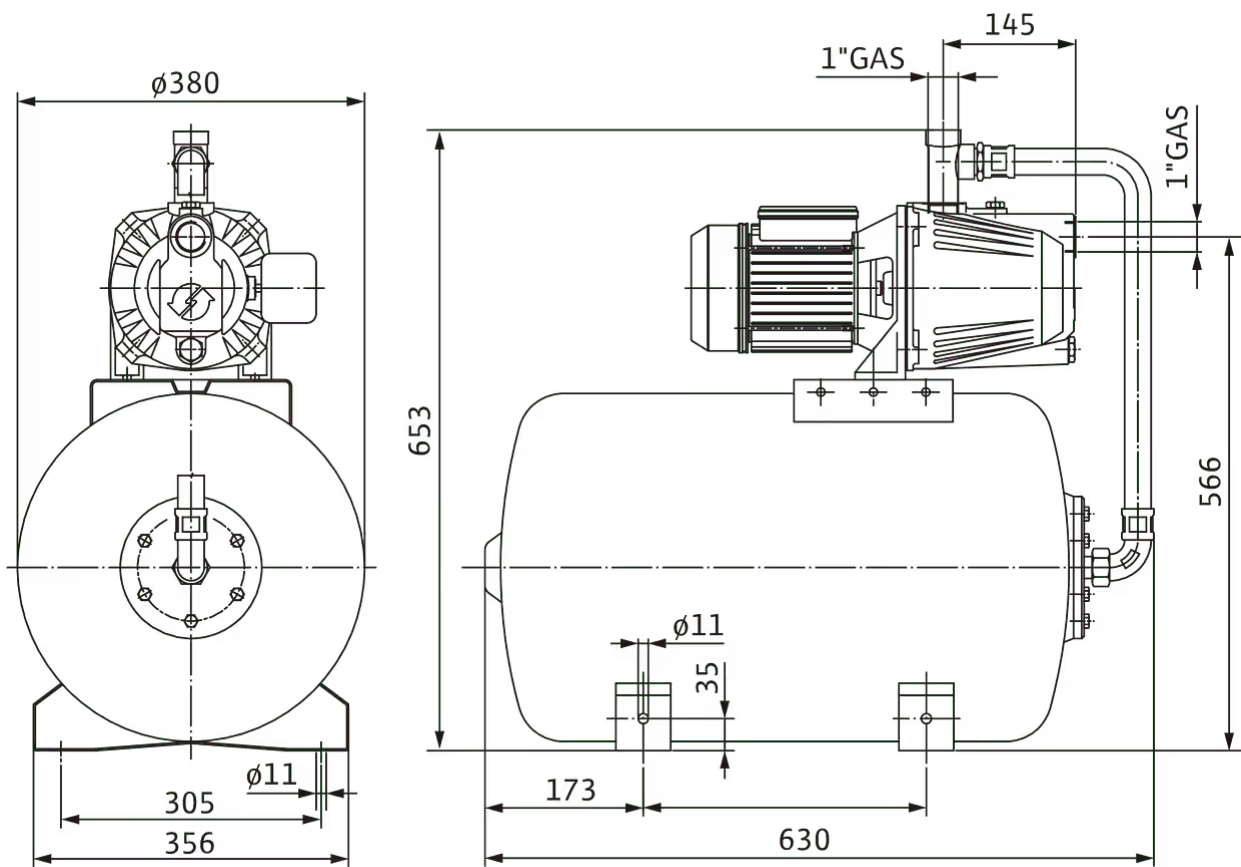
Pump curves



Fluid media	Water 100 %
Fluid temperature <i>T</i>	20.00 °C
speed at duty point <i>n hydr. @ OP</i>	2,900 1/min


Dimensions and dimensions drawings

Wilo-INITIAL JET SYSTEM 4-4



Ordering information

Product data

Brand	Wilo
Product description	Initial JET System 4-4-50
Article number	4168024 
EAN number	4048482250861
Colour	green/black
Minimum order quantity	1
Date of sales availability	2019-03-01

Packaging

Packaging type	Cardboard box
Packaging property	Transport packaging
Pieces per pallet	1
Number per layer	1

Dimension, weight

Length with packaging	772 mm
Length <i>L</i>	640 mm
Height with packaging	704 mm
Height <i>H</i>	560 mm
Width with packaging	392 mm
Width <i>W</i>	380 mm
Gross weight, approx. <i>m</i>	33 kg
Net weight, approx. <i>m</i>	32.5 kg

Tender text

System for water supply, irrigation and rainwater utilisation; consisting of a self-priming pump with up to

7 m, a pressure tank and pressure switch with automatic start/stop function

Materials

Pump housing	Grey cast iron
Impeller	Stainless steel
Shaft	Steel
Shaft seal	BQ1PFF
Gasket material	NBR

Operating Data

Min. fluid temperature T_{\min}	5 °C
Max. fluid temperature T_{\max}	35 °C
Maximum operating pressure p	6.0 bar
Discharge port	G 1
Max. ambient temperature T_{\max}	40 °C


Motor data

Rated current I_N	5 A
Rated speed n	2850 1/min
Mains connection	1~230 V, 50 Hz
Insulation class	F
Electromagnetic compatibility	EN 61000-6-1, -2, -3, -4
Protection class	IPX4

Installation dimensions

Pipe connection on the suction side DN_s	G 1
Pipe connection on the discharge side DN_d	G 1

Ordering information

Net weight, approx. m	32.5 kg
Brand	Wilo
Product description	Initial JET System 4-4-50
Article number	4168024 

Installation type

In inlet mode

Shut-off valve

Ball valve Rp 1	2663980
-----------------	---------

Screwed connection for non-return valve

Screwed connection for non-return valve DN 25	2660509
---	---------

In suction mode

Shut-off valve

Ball valve Rp 1	2663980
-----------------	---------

In suction mode with floating intake

Wall bracket

Wall bracket	4027328
--------------	---------

Shut-off valve

Ball valve Rp 1	2663980
-----------------	---------

Suction/pressure hose kit

Suction/pressure hose 1¼" SE, PN 10, 1.5 m (cpl.)	2025973
---	---------

Suction/pressure hose 1¼" SE, PN 10, 10.0 m (cpl.)	2025976
--	---------

Suction/pressure hose 1¼" SE, PN 10, 15.0 m (cpl.)	2025977
--	---------

Suction/pressure hose 1¼" SE, PN 10, 3.0 m (cpl.)	2025974
---	---------

Suction/pressure hose 1¼" SE, PN 10, 5.0 m (cpl.)	2025975
---	---------

Coarse suction filter (floating extractor)

Coarse suction filter GR	2024960
--------------------------	---------

Fine suction filter (floating extractor)

Fine suction filter FR	2024962
------------------------	---------

In suction mode with suction hose

Shut-off valve

Ball valve Rp 1	2663980
-----------------	---------

Suction hose set

Suction hose set G1, 7 m	4027874
--------------------------	---------

Mechanical accessories

Fittings

Non-return valve

Non-return valve RV/S R 1	2660842
---------------------------	---------

Shut-off valve

Ball valve Rp 1	2663980
-----------------	---------

Hoses / hose joints

Suction hose set

Suction hose set G1, 7 m	4027874
--------------------------	---------

Suction hose set G1½, 7 m	4056081
---------------------------	---------

Suction/pressure hose kit

Suction/pressure hose 1¼" SE, PN 10, 1.5 m (cpl.)	2025973
---	---------

Suction/pressure hose 1¼" SE, PN 10, 3.0 m (cpl.)	2025974
---	---------

Suction/pressure hose 1¼" SE, PN 10, 5.0 m (cpl.)	2025975
---	---------

Suction/pressure hose 1¼" SE, PN 10, 10.0 m (cpl.)	2025976
--	---------

Suction/pressure hose 1¼" SE, PN 10, 15.0 m (cpl.)	2025977
--	---------

Suction filter

Coarse suction filter (floating extractor)

Coarse suction filter G	2024959
-------------------------	---------

Coarse suction filter GR	2024960
--------------------------	---------

Fine suction filter (floating extractor)

Fine suction filter F	2024961
-----------------------	---------

Fine suction filter FR	2024962
------------------------	---------

Valves/accessories

Screwed connection for non-return valve

Screwed connection for non-return valve DN 25	2660509
---	---------

Wall fixation/installation on a base

Wall bracket

Wall bracket	4027328
--------------	---------

Services

With Wilo as your partner, you can not only be sure of choosing high-quality product solutions, but also of benefiting from a comprehensive, worry-free package of well thought-out services. We collaborate to develop a service concept tailored to your individual needs; with our expertise and personal consultancy, we make sure that the operation of your systems is as energy-efficient, reliable and economical as possible. All the while our competent Wilo service technicians are ready to assist you with fast, reliable and on-time support.

Recommended services

Maintenance BASIC Booster Set 1-2 pumps	2160453
Maintenance COMFORT Booster Set 1-2 pumps	2160468
Maintenance PREMIUM Booster Set 1-2 pumps	2160483

Commissioning Booster Set 1-2 pumps	2216414
-------------------------------------	---------

More suitable services

Wilo-Live Assistant Service	2216415
-----------------------------	---------

Extended Warranty Booster Set 1-2 pumps	2216416
---	---------

Supervision Booster Set 1-2 pumps	2216412
-----------------------------------	---------

Installation Booster Set 1-2 pumps	2216413
------------------------------------	---------

System Optimisation Booster Set 1-2 pump	2216410
--	---------

Energy Solutions Booster Set 1-2 pumps	2216411
--	---------

Repair Booster Set 1-2 pumps	2216417
------------------------------	---------