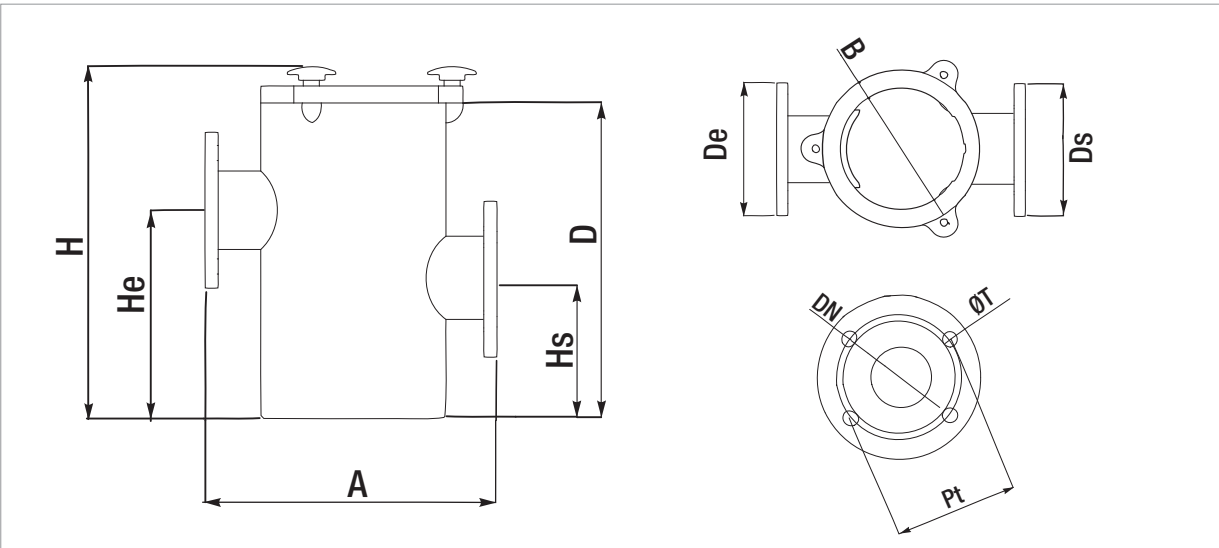


CAST-IRON PREFILTERS



New range of DIN 2501 compliant cast-iron prefilters with connections from DN 65 to DN 200. They have 3 or 4 closing knobs, depending on the model, to ensure perfect plug seal. Cast iron prefilter vase and plug, AISI 316 stainless steel canister.

The new range of prefilters gives the possibility of using the standardised monobloc centrifugal pumps of the NKM-G/NKP-G ranges, starting from DN 40 up to DN 150, for the circulation of water in large filtration systems. The same filters may also be combined with MCE inverter or with base coupling (KDN) standardised pumps.



TYPE	DN	Pt	A	B	H	D	De	He	Ds	Hs	øT	No. T	kg	Volume, l
PREFILTER 65/65	65	145	380	260	415	360	185	250	185	120	18	4	38,5	18
PREFILTER 80/80	80	160	380	260	415	360	200	250	200	120	18	4-8	39	18
PREFILTER 100/100	100	180	380	260	415	360	200	270	220	155	18	8	40,5	18
PREFILTER 125/125	125	210	380	260	415	360	250	270	250	155	18	8	41	18
PREFILTER 150/150	150	240	460	340	555	500	285	380	285	190	22	8	71	42
PREFILTER 200/200	200	295	460	340	555	500	340	380	340	190	22	8	72	42

NOTE: PUMP AND PREFILTER ARE SOLD SEPARATELY
For further information contact our sales network.