

# NSCSX 150-200/110/404CC4

## Technical data

Company name  
Contact  
Phone number  
e-mail address

Operating data					
1	Pumpe type	Horizontal	Fluid	Water, pure	
2	No. of pumps	1	Operating temperature t A	°C	4
3	Nominal flow	m <sup>3</sup> /h 0	pH-value at t A		7
4	Nominal head	m 0	Density at t A	kg/m <sup>3</sup>	1000
5	Static head	m 0	Vapor pressure at t A	kPa	100
6	Inlet pressure	kPa 0	Kin. viscosity at t A	mm <sup>2</sup> /s	1.569
7	Environmental temperature	°C 20	Altitude		0
8	Available system NPSH	m 0			

Pump data		
9	Product version	[X] - Hydrovar X+
10	Operating speed	
11	Stages	1
12	Max. working pressure	kPa 160.3
13	Head H(Q=0)	m 16
14	Power input P1(max)	kW 12.1
15	Total weight	kg 279.0
16	Power input	kW
17	Overall efficiency	%
18	Shaft power	kW
19	Pump efficiency	%
20	NPSH 3%	m
21		

Materials				
	Pump		Shaft Seal	
22			Single mechanical seal, without shaft sleeve	
23	Volute Casing	Cast Iron, EN 1561 - GJL-250, ASTM Class 35		
24	Impeller	Cast Iron, EN 1561 - GJL-200, ASTM Class 30	eMG12 - Ø38mm	BQ7EGG-WA
25	Casing Cover	Cast Iron, EN 1561 - GJL-250, ASTM Class 35		
26	Shaft	Stainless steel, 1.4057, AISI 431	1. Rotating ring	Carbon graphite resin impregnated
27	Wear ring	Stainless steel, 1.4301, AISI 304	2. Stationary ring	SiC, silicon carbide, sintered press. less
28	Impeller lock nut and washer	A4 (1.4401)	3. Secondary seal	Ethylene propylene rubber (EPDM)
29	Impeller key	Stainless steel, 1.4571, AISI 316Ti	4. Springs	CrNiMo - Steel
30	Fill and drain plugs	Galvanized carbon steel, EN 10277-3, AISI 1213 / 1215	5. Others	EPDM - WRAS
31	Bearing bracket	Cast Iron, EN 1561 - GJL-250, ASTM Class 35	Gaskets of the pump	Ethylene propylene rubber (EPDM)
32				
33				
34				
35				
36				
37				
38				
39				
40				
41				

Motor data				
42	Manufacturer	Xylem	Rated voltage	380-480V
43	Specific design	IE5 Three phase motor	Rated current	24,5-22,8 A
44	Type	EXM160B5/4.110DH4	Motor efficiency @400V %	4/4: 92.1 3/4: 91.9 2/4: 91.2
45	Rated power	11 kW	Power factor @400V	0.74
46	Nominal speed	1800 rpm	Weight	kg 82.0
47	Frame size	160		
48	Size	D		

Remarks	
49	
50	
50	
52	

Project	Xylect-20355299	Created by		Last update	7/22/2024
Block	NSCSX 150-200/110/404CC4	Created on	7/22/2024		

# NSCSX 150-200/110/404CC4

## Performance curve

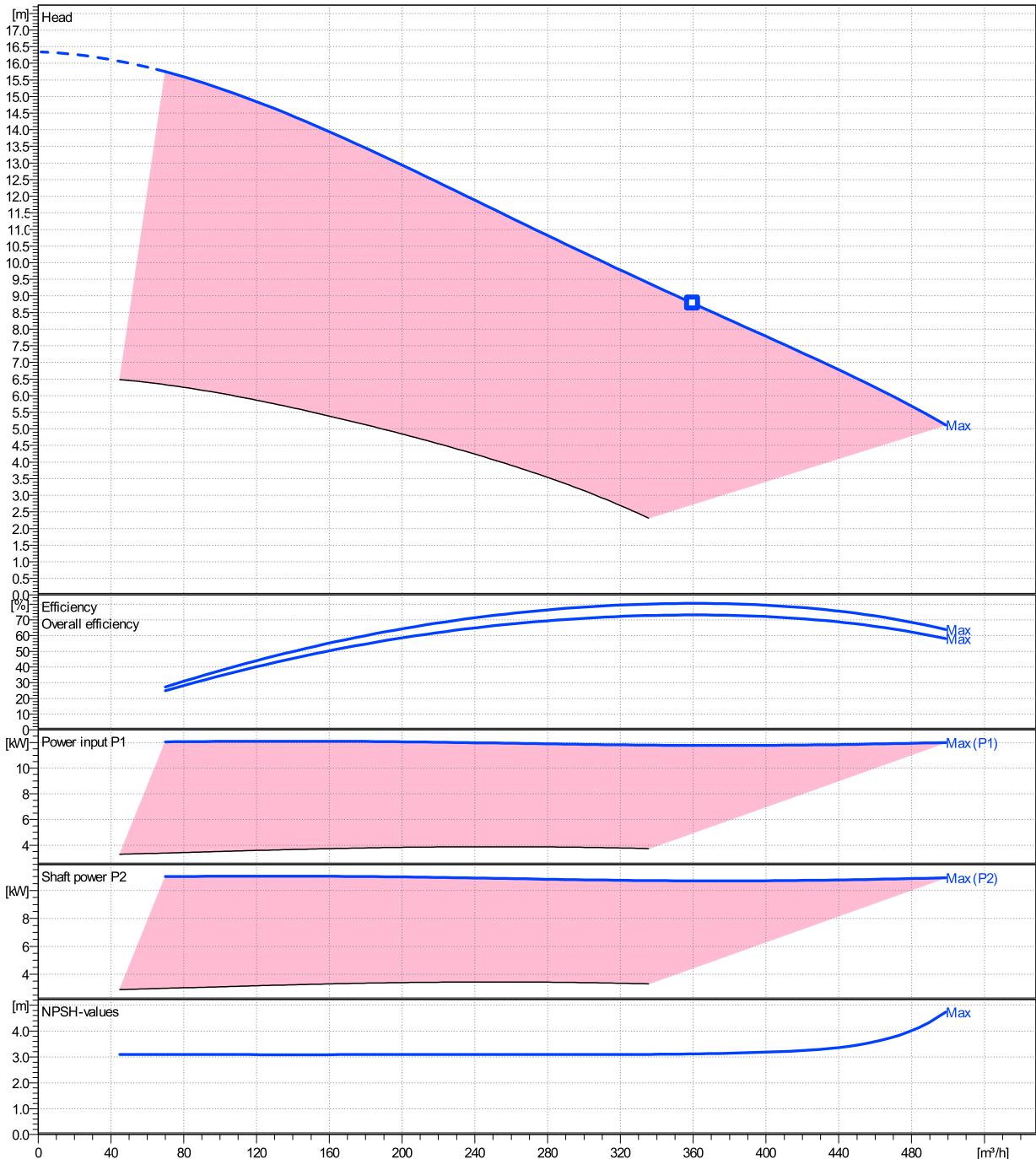
Company name  
Contact  
Phone number  
e-mail address

Ø	Pump capacity			Pump head		Frequency	Hz	50/60
	Operating range	η	η	H(Q=0)	η			
	Min. m³/h	Max. m³/h	Max. m³/h	m	m	Operating speed	rpm	
Max.	70	499	360	16.3	8.78	Nominal flow	m³/h	0
						Nominal head	m	0
						Inlet pressure	kPa	0
						Static head	m	0

**Power datas referred to:**

hydr. Performance acceptance acc. To EN ISO 9906 Class 3B

Water, pure [100%] ; 4°C; 1000kg/m³; 1.57mm²/s

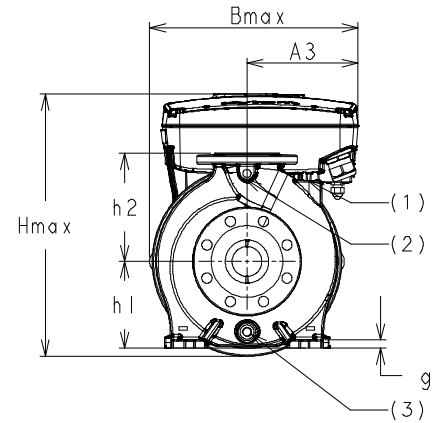
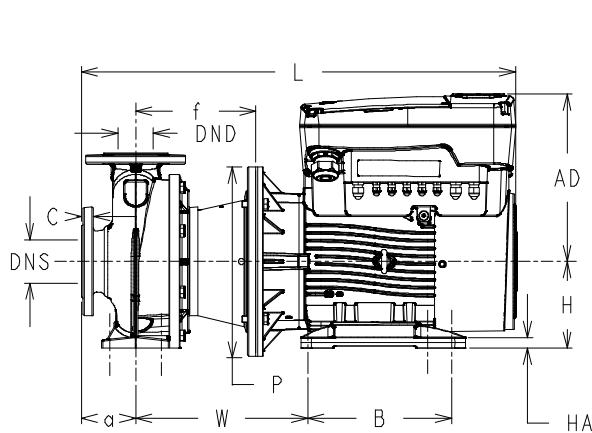


# NSCSX 150-200/110/404CC4

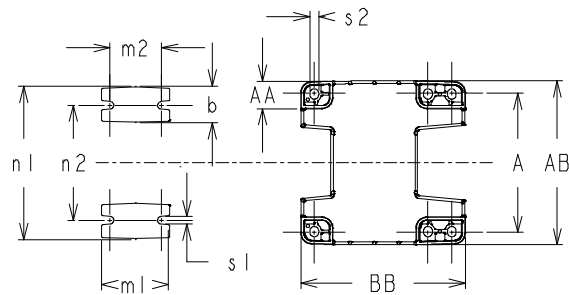
## Dimensions

Company name  
Contact  
Phone number  
e-mail address

[X] - Hydrovar X+  
EXM160B5/4.110DH4



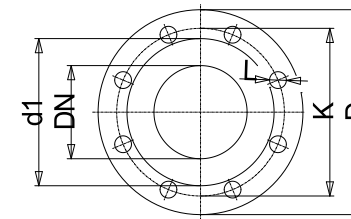
- (1) FILL
- (2) PRESSURE GAUGE CONNECTOR
- (3) DRAIN



Dimensions			[ mm ]
(1)	G3/8	HA	20
(2)	G1/4	Hmax	592
(3)	G3/8	L	880
a	160	m1	550
A	254	m2	450
A3	205	n1	200
AA	59	n2	150
AB	304	P	350
AD	312	s1	23
b	100	s2	15
B	254	Type	B
BB	301	W	348
Bmax	602	x	300
DND	150		
DNS	200		
f	240		
g1	26		
H	160		
h1	280		
h2	400		

Weight	
<b>Total weight</b>	<b>279 kg</b>

Connections			
EN1092-2		EN1092-2	
DN200		DN150	
PN16		PN10/16	
C	30	C	26
D	345	D	285
d1	266	d1	211
K	295	K	240
L	23	L	23



Value C, D may vary from Standard

### Dimensions and weight without obligation

Project	Xylect-20355299	Created by		Last update	7/22/2024
Block	NSCSX 150-200/110/404CC4	Created on	7/22/2024		

**NSCSX 150-200/110/404CC4**

**Technical data**

Company name  
Contact  
Phone number  
e-mail address



REF.	ITEM	DESCRIPTION	DEFAULT
1		Power supply +24 VDC, max. 60mA (total, terminals 1 + 5)	
2	Analog Input 1	Configurable Analog Input 1	Pressure Sensor 1
3		Electronic GND	
4	Not used	Internal use - Do not connect	
5		Power supply +24 VDC, max. 60mA (total, terminals 1 + 5)	
6	Analog Input 2	Configurable Analog Input 2	Not used
7		Electronic GND	
8	External Start/Stop	Start/Stop digital input, +24 VDC internal pull-up, 6mA contact current	-
9		Electronic GND	
10	External Lack of Water	Low water digital input, +24 VDC internal pull-up, 6mA contact current	-
11		Electronic GND	
12	Digital Input 3	Configurable Digital Input 3, +24 VDC internal pull-up, 6mA contact current	Solo Run
13		Electronic GND	
14	Analog Output	Configurable Analog Output	Motor Speed
15		Electronic GND	
16		Power supply +24 VDC, max. 60mA (total, terminals 16 and 19)	
17	Analog Input 3	Configurable Analog Input 3	Not used
18		Electronic GND	
19		Power supply +24 VDC, max. 60mA (total, terminals 16 and 19)	
20	Analog Input 4	Configurable Analog Input 4	Not used
21		Electronic GND	
22	Digital Input 4	Configurable Digital Input 4, +24 VDC internal pull-up, 6mA contact current	Not used
23		Electronic GND	
24	Digital Input 5	Configurable Digital Input 5, +24 VDC internal pull-up, 6mA contact current	Not used
25		Electronic GND	
26	10 VDC supply	Power supply +10 VDC, max. 3mA	-
27		Electronic GND	
28		RS485 port 1 : RS485-1B N (-)	
29	Communication bus 1	RS485 port 1 : RS485-1A P (+)	Multipump
30		RS485 port 1 : RS485-COM	
31		RS485 port 2 : RS485-2B N (-)	
32	Communication bus 2	RS485 port 2 : RS485-2A P (+)	Modbus
33		RS485 port 2 : RS485-COM	
34		RS485 port 1 : RS485-1B N (-)	
35	Communication bus 1	RS485 port 1 : RS485-1A P (+)	Multipump
36		RS485 port 1 : RS485-COM	
37		RS485 port 2 : RS485-2B N (-)	
38	Communication bus 2	RS485 port 2 : RS485-2A P (+)	Modbus
39		RS485 port 2 : RS485-COM	
40		Configurable relay 1: Normally Open	
41	Relay 1	Configurable relay 1: Normally Closed	Running
42		Configurable relay 1: Common Contact	
43		Configurable relay 2: Normally Open	
44	Relay 2	Configurable relay 2: Normally Closed	Error
45		Configurable relay 2: Common Contact	