

# NSCSX 100-200/75/404CC4

## Technical data

Company name  
Contact  
Phone number  
e-mail address

Operating data					
1	Pumpe type	Horizontal		Fluid	Water, pure
2	No. of pumps	1		Operating temperature t A	°C 4
3	Nominal flow	m <sup>3</sup> /h	0	pH-value at t A	7
4	Nominal head	m	0	Density at t A	kg/m <sup>3</sup> 1000
5	Static head	m	0	Vapor pressure at t A	kPa 100
6	Inlet pressure	kPa	0	Kin. viscosity at t A	mm <sup>2</sup> /s 1.569
7	Environmental temperature	°C	20	Altitude	0
8	Available system NPSH	m	0		

Pump data		
9	Product version	[X] - Hydrovar X+
10	Operating speed	
11	Stages	1
12	Max. working pressure	kPa 310.3
13	Head H(Q=0)	m 32
14	Power input P1(max)	kW 8.3
15	Total weight	kg 144.0
16	Power input	kW
17	Overall efficiency	%
18	Shaft power	kW
19	Pump efficiency	%
20	NPSH 3%	m
21		

Materials				
	Pump		Shaft Seal	
22			Single mechanical seal, without shaft sleeve	
23	Volute Casing	Cast Iron, EN 1561 - GJL-250, ASTM Class 35		
24	Impeller	Cast Iron, EN 1561 - GJL-200, ASTM Class 30		eMG12 - Ø38mm BQ7EGG-WA
25	Casing Cover	Cast Iron, EN 1561 - GJL-250, ASTM Class 35		
26	Shaft	Stainless steel, 1.4057, AISI 431		1. Rotating ring Carbon graphite resin impregnated
27	Wear ring	Stainless steel, 1.4301, AISI 304		2. Stationary ring SiC, silicon carbide, sintered press. less
28	Impeller lock nut and washer	A4 (1.4401)		3. Secondary seal Ethylene propylene rubber (EPDM)
29	Impeller key	Stainless steel, 1.4571, AISI 316Ti		4. Springs CrNiMo - Steel
30	Fill and drain plugs	Galvanized carbon steel, EN 10277-3, AISI 1213 / 1215		5. Others EPDM - WRAS
31	Bearing bracket	Cast Iron, EN 1561 - GJL-250, ASTM Class 35		Gaskets of the pump Ethylene propylene rubber (EPDM)
32				
33				
34				
35				
36				
37				
38				
39				
40				
41				

Motor data				
42	Manufacturer	Xylem	Rated voltage	380-480V
43	Specific design	IE5 Three phase motor	Rated current	18,7-17,4 A
44	Type	EXM132B5/4.075DH4	Motor efficiency @400V %	4/4: 90.7 3/4: 90.9 2/4: 90.8
45	Rated power	7.5 kW	Power factor @400V	0.66
46	Nominal speed	1800 rpm	Weight	kg 68.7
47	Frame size	132		
48	Size	D		

Remarks	
49	
50	
50	
52	

Project	Xylect-20355146	Created by		Last update	7/22/2024
Block	NSCSX 100-200/75/404CC4	Created on	7/22/2024		

# NSCSX 100-200/75/404CC4

## Performance curve

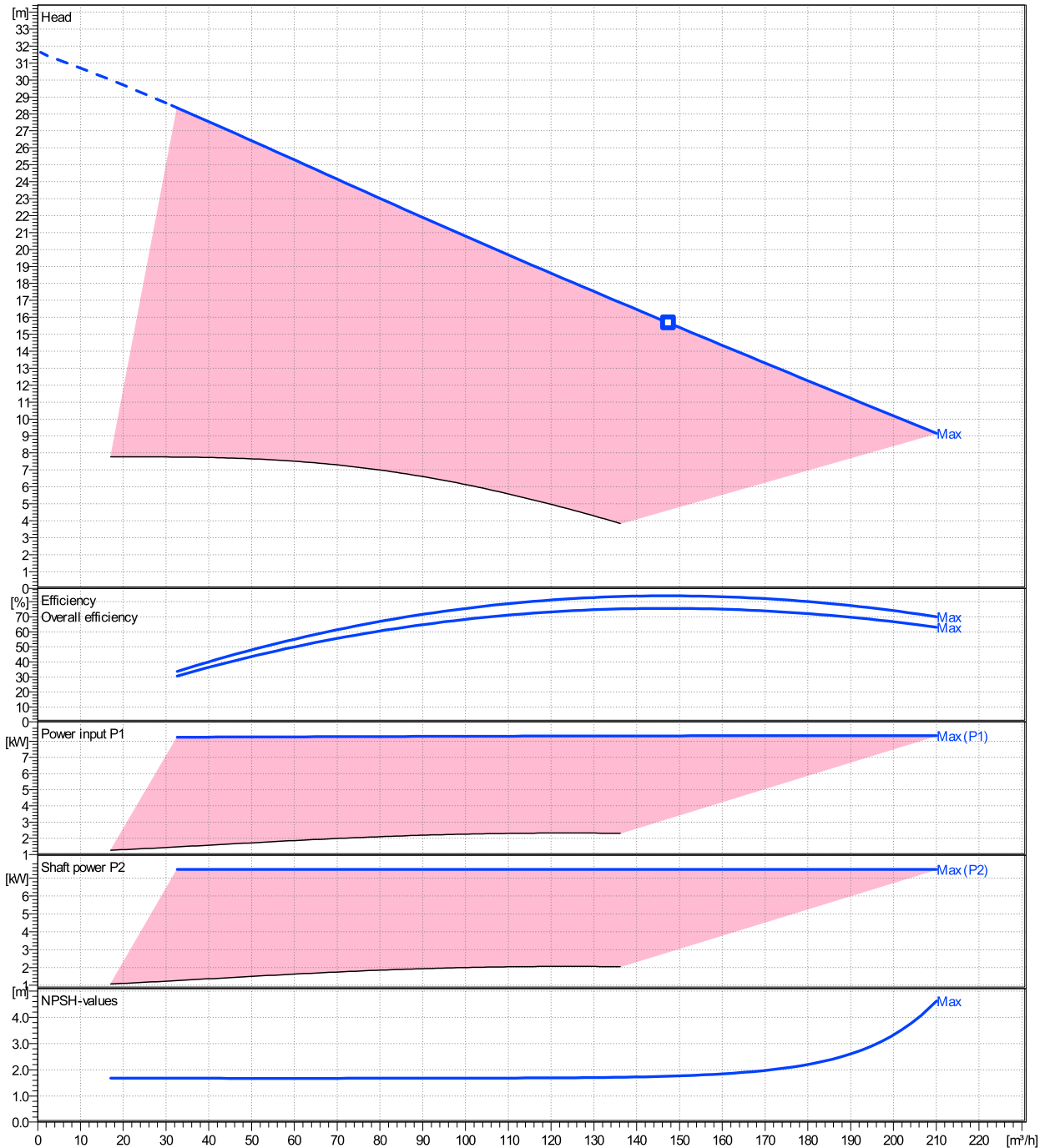
Company name  
Contact  
Phone number  
e-mail address

Ø	Pump capacity			Pump head		Frequency	Hz	50/60
	Operating range	η	η	H(Q=0)	η			
	Min. m³/h	Max. m³/h	Max. m³/h	m	m	Operating speed	rpm	
Max.	32.6	210	147	31.6	15.7	Nominal flow	m³/h	0
						Nominal head	m	0
						Inlet pressure	kPa	0
						Static head	m	0

**Power datas referred to:**

Water, pure [100%] ; 4°C; 1000kg/m³; 1.57mm²/s

hydr. Performance acceptance acc. To EN ISO 9906 Class 3B

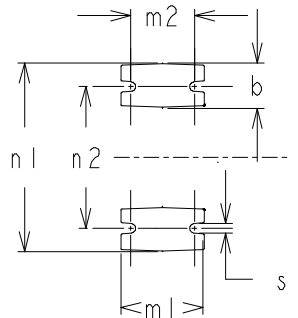
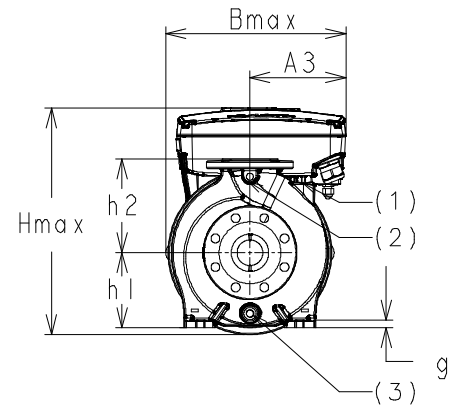
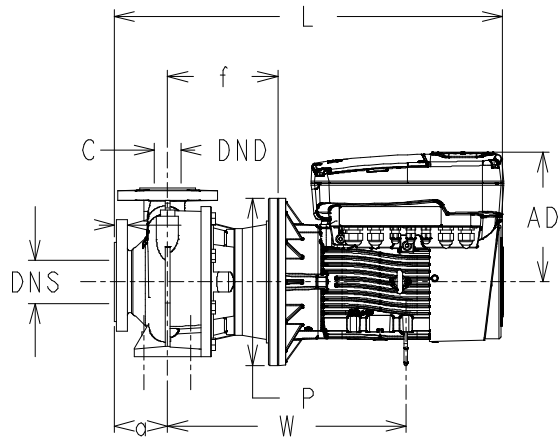


# NSCSX 100-200/75/404CC4

## Dimensions

Company name  
Contact  
Phone number  
e-mail address

[X] - Hydrovar X+  
EXM132B5/4.075DH4



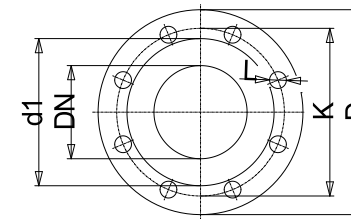
- (1) FILL
- (2) PRESSURE GAUGE CONNECTOR
- (3) DRAIN

Dimensions			[ mm ]
(1)	G1/8	n2	120
(2)	G1/4	P	300
(3)	G3/8	s1	19
a	125	Type	A
A3	205	x	300
AD	312		
b	80		
Bmax	389		
DND	100		
DNS	125		
f	210		
g1	26		
H	132		
h1	200		
h2	280		
Hmax	512		
L	810		
m1	360		
m2	280		
n1	160		

### Weight

<b>Total weight</b>	<b>144 kg</b>
---------------------	---------------

Connections			
EN1092-2		EN1092-2	
DN125		DN100	
PN10/16		PN10/16	
C	26	C	24
D	255	D	230
d1	184	d1	157
K	210	K	180
L	19	L	19



Value C, D may vary from Standard

### Dimensions and weight without obligation

Project	Xylect-20355146	Created by		Last update	7/22/2024
Block	NSCSX 100-200/75/404CC4	Created on	7/22/2024		

**NSCSX 100-200/75/404CC4**

**Technical data**

Company name  
Contact  
Phone number  
e-mail address



REF.	ITEM	DESCRIPTION	DEFAULT
1		Power supply +24 VDC, max. 60mA (total, terminals 1 + 5)	
2	Analog Input 1	Configurable Analog Input 1	Pressure Sensor 1
3		Electronic GND	
4	Not used	Internal use - Do not connect	
5		Power supply +24 VDC, max. 60mA (total, terminals 1 + 5)	
6	Analog Input 2	Configurable Analog Input 2	Not used
7		Electronic GND	
8	External Start/Stop	Start/Stop digital input, +24 VDC internal pull-up, 6mA contact current	
9		Electronic GND	
10	External Lack of Water	Low water digital input, +24 VDC internal pull-up, 6mA contact current	
11		Electronic GND	
12	Digital Input 3	Configurable Digital Input 3, +24 VDC internal pull-up, 6mA contact current	Solo Run
13		Electronic GND	
14	Analog Output	Configurable Analog Output	Motor Speed
15		Electronic GND	
16		Power supply +24 VDC, max. 60mA (total, terminals 16 and 19)	
17	Analog Input 3	Configurable Analog Input 3	Not used
18		Electronic GND	
19		Power supply +24 VDC, max. 60mA (total, terminals 16 and 19)	
20	Analog Input 4	Configurable Analog Input 4	Not used
21		Electronic GND	
22	Digital Input 4	Configurable Digital Input 4, +24 VDC internal pull-up, 6mA contact current	Not used
23		Electronic GND	
24	Digital Input 5	Configurable Digital Input 5, +24 VDC internal pull-up, 6mA contact current	Not used
25		Electronic GND	
26	10 VDC supply	Power supply +10 VDC, max. 3mA	
27		Electronic GND	
28		RS485 port 1 : RS485-1B N (-)	
29	Communication bus 1	RS485 port 1 : RS485-1A P (+)	Multipump
30		RS485 port 1 : RS485-COM	
31		RS485 port 2 : RS485-2B N (-)	
32	Communication bus 2	RS485 port 2 : RS485-2A P (+)	Modbus
33		RS485 port 2 : RS485-COM	
34		RS485 port 1 : RS485-1B N (-)	
35	Communication bus 1	RS485 port 1 : RS485-1A P (+)	Multipump
36		RS485 port 1 : RS485-COM	
37		RS485 port 2 : RS485-2B N (-)	
38	Communication bus 2	RS485 port 2 : RS485-2A P (+)	Modbus
39		RS485 port 2 : RS485-COM	
40		Configurable relay 1: Normally Open	
41	Relay 1	Configurable relay 1: Normally Closed	Running
42		Configurable relay 1: Common Contact	
43		Configurable relay 2: Normally Open	
44	Relay 2	Configurable relay 2: Normally Closed	Error
45		Configurable relay 2: Common Contact	