

10HME04S22T04VBE

Technical data

Company name
Contact
Phone number
e-mail address

Operating data

Pumpe type	Single head pump	Fluid	Water, pure
No. of pumps / Reserve	1 / 0	Operating temperature t A	°C 4
Nominal flow	m ³ /h 0	pH-value at t A	7
Nominal head	m 0	Density at t A	kg/m ³ 1000
Static head	m 0	Kin. viscosity at t A	mm ² /s 1.569
Inlet pressure	kPa 0	Vapor pressure at t A	kPa 100
Environmental temperature	°C 20	Solids	0
Available system NPSH	m 0	Altitude	m 0

Pump data

Make	Lowara	Nominal	m ³ /h
Speed	rpm	Flow	Max- m ³ /h 17
Number of stages	4	Min-	m ³ /h 6.1
		Nominal	m
Max. working pressure	kPa 689.6	Head	at Qmax m 27.5
Head H(Q=0)	m 70		at Qmin m 67
Weight	kg 22	Power input	kW
	Max. mm	Max. shaft power	kW 2.27
Impeller R	designed mm	Efficiency (Hydraulic+Motor+Drive)	%
	Min. mm		

Pump Materials

Adapter	Aluminium
Diffuser and upper spacer	Stainless steel
Fill / drain plugs	Stainless steel
Head	Stainless steel
Impeller	Stainless steel 304
Outer sleeve	Stainless steel
Ring with foot	Aluminium
SEAL HOUSING	Stainless steel
Shaft	Stainless steel
Shaft sleeve and bushing	Tungsten carbide
Tie rods	Stainless steel
Wear ring	Technopolymer

Shaft Seal

Mechanical Seal	
HM - uniten	Roten
Rotating Assembly	V-Ceramic
Fixed Assembly	B-Resin impregnated carbon
Elastomers	E - EPDM
Springs	G-AISI 316
Other Components	G-AISI 316

Motor data

Manufacturer	Lowara	Electric voltage	460 V	Speed	3600 rpm	Insulation class	F
Specific design	Three phase e-SM motor			Frame size	80	Colour	RAL 5010
Type	ESM80/322 HM..	Electric current	5.24 A				
Rated power	2.2 kW	Degree of protection	IP 55				

Remarks:

10HME04S22T04VBE

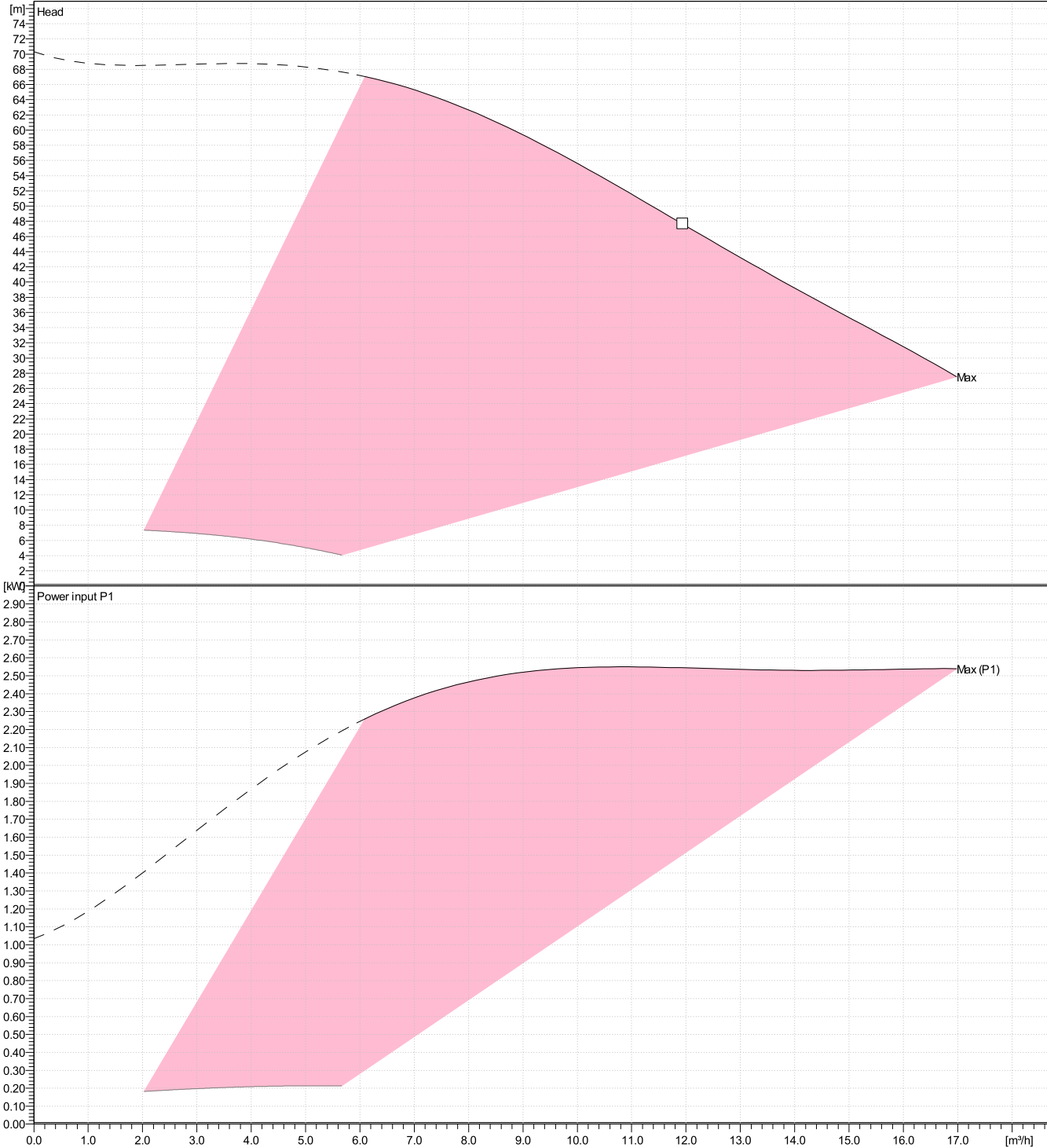
Performance curve

Company name
Contact
Phone number
e-mail address

Hydraulic data

Operating Data Specification		Hydraulic data (duty point)		Impeller design	
Flow	0 m ³ /h	Flow		Impeller R	0 mm
Head	0 m	Head		Frequency	50 Hz
Static head	0 m			Speed	

Power datas referred to:
Water, pure [100%] ; 4°C; 1000kg/m³; 1.57mm²/s
Performance according to ISO 9906:2012 – Grade 3B

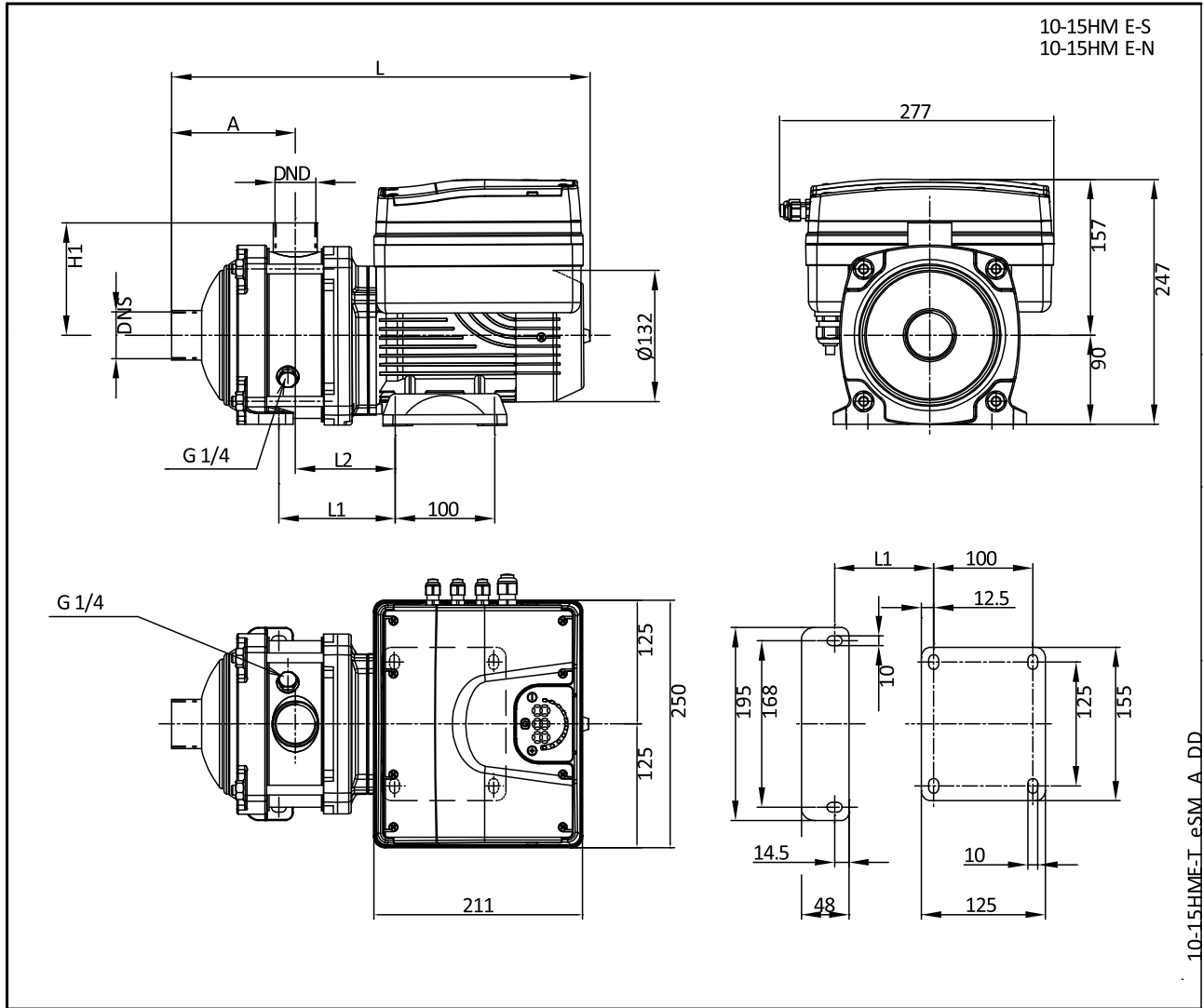


10HME04S22T04VBE

Dimensions

Company name
Contact
Phone number
e-mail address

Drawing



Dimensions mm

A	157					Weight 20 kg
DND	Rp 1 1/4					
DNS	Rp 1 1/2					
H1	113					
L	454					
L1	148.5					
L2	100					
G 1/4						