

## 5HME06S11T05VBE

### Technical data

Company name  
Contact  
Phone number  
e-mail address

#### Operating data

Pump type	Single head pump	Fluid	Water, pure
No. of pumps / Reserve	1 / 0	Operating temperature t A	°C 4
Nominal flow	m <sup>3</sup> /h 0	pH-value at t A	7
Nominal head	m 0	Density at t A	kg/m <sup>3</sup> 1000
Static head	m 0	Kin. viscosity at t A	mm <sup>2</sup> /s 1.569
Inlet pressure	kPa 0	Vapor pressure at t A	kPa 100
Environmental temperature	°C 20	Solids	0
Available system NPSH	m 0	Altitude	m 0

#### Pump data

Make	Lowara	Nominal	m <sup>3</sup> /h
Speed	rpm	Flow	Max- m <sup>3</sup> /h 10.2
Number of stages	6	Min-	m <sup>3</sup> /h 3.1
		Nominal	m
Max. working pressure	kPa 651.8	Head	at Qmax m 17
Head H(Q=0)	m 66	at Qmin	m 65.1
Weight	kg 18	Power input	kW
	Max. mm	Max. shaft power	kW 1.16
Impeller R	designed mm	Efficiency (Hydraulic+Motor+Drive)	%
	Min. mm		

#### Pump Materials

Adapter	Aluminium
Bolts and screws	Stainless steel
Diffuser	Stainless steel
Fill / drain plugs	Stainless steel
Impeller	Stainless steel 304
Pump body	Stainless steel
SEAL HOUSING	Stainless steel
Shaft	Stainless steel
Wear ring	Technopolymer

#### Shaft Seal

Mechanical Seal	
HM - uniten	Roten
Rotating Assembly	V-Ceramic
Fixed Assembly	B-Resin impregnated carbon
Elastomers	E - EPDM
Springs	G-AISI 316
Other Components	G-AISI 316

#### Motor data

Manufacturer	Lowara	Electric voltage	240 V	Speed	3600 rpm	Insulation class	F
Specific design	Three phase e-SM motor			Frame size	80	Colour	RAL 5010
Type	ESM80/311 HM..	Electric current	4.69 A				
Rated power	1.1 kW	Degree of protection	IP 55				

#### Remarks:

# 5HME06S11T05VBE

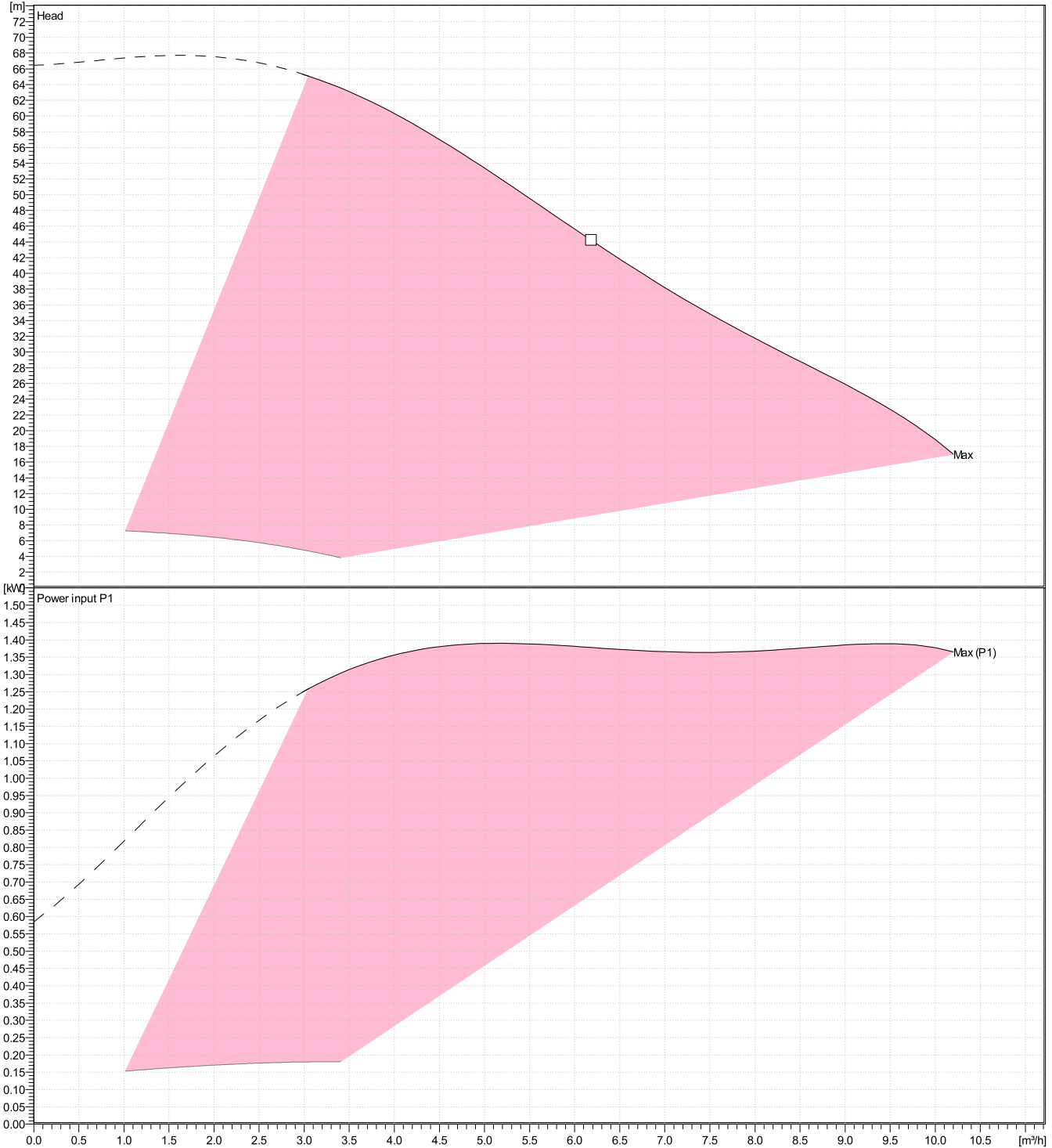
## Performance curve

Company name  
Contact  
Phone number  
e-mail address

### Hydraulic data

Operating Data Specification		Hydraulic data (duty point)		Impeller design	
Flow	0 m <sup>3</sup> /h	Flow		Impeller R	0 mm
Head	0 m	Head		Frequency	50 Hz
Static head	0 m			Speed	

Power datas referred to:  
Water, pure [100%] ; 4°C; 1000kg/m<sup>3</sup>; 1.57mm<sup>2</sup>/s  
Performance according to ISO 9906:2012 – Grade 3B

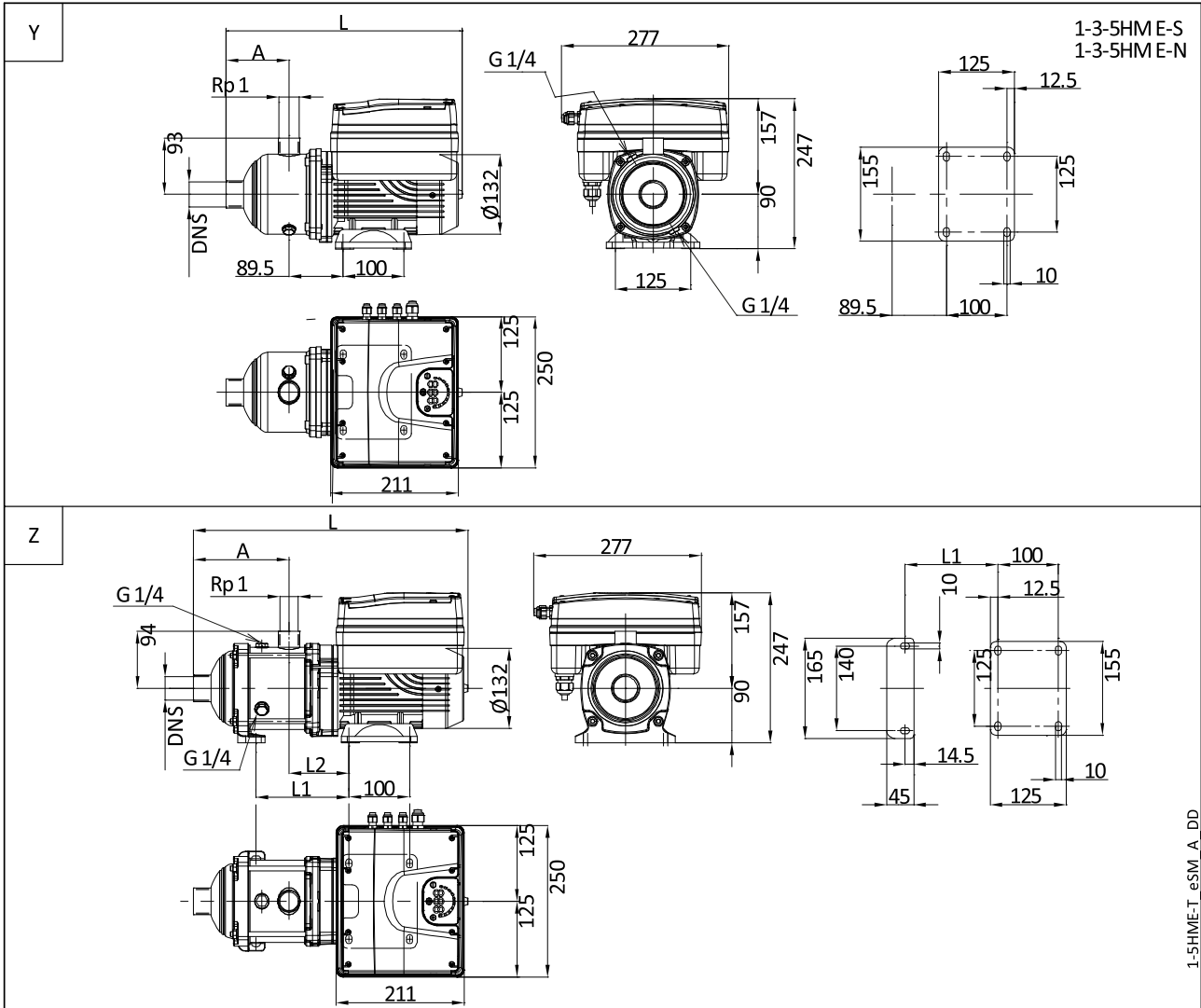


**5HME06S11T05VBE**

**Dimensions**

Company name  
Contact  
Phone number  
e-mail address

**Drawing**



**Dimensions mm**

A	158					Weight 20 kg
DNS	Rp 1 1/4					
Drawing	Z					
L	454					
L1	153					
L2	99					