

5HME04S07T05VBE

Technical data

Company name
Contact
Phone number
e-mail address

Operating data

Pump type	Single head pump	Fluid	Water, pure
No. of pumps / Reserve	1 / 0	Operating temperature t A	°C 4
Nominal flow	m ³ /h 0	pH-value at t A	7
Nominal head	m 0	Density at t A	kg/m ³ 1000
Static head	m 0	Kin. viscosity at t A	mm ² /s 1.569
Inlet pressure	kPa 0	Vapor pressure at t A	kPa 100
Environmental temperature	°C 20	Solids	0
Available system NPSH	m 0	Altitude	m 0

Pump data

Make	Lowara	Nominal	m ³ /h
Speed	rpm	Flow Max-	m ³ /h 10.2
Number of stages	4	Min-	m ³ /h 3
		Nominal	m
Max. working pressure	kPa 435.6	Head at Qmax	m 11.9
Head H(Q=0)	m 44	at Qmin	m 43.6
Weight	kg 15	Power input	kW
	Max. mm	Max. shaft power	kW 0.798
Impeller R designed	mm	Efficiency (Hydraulic+Motor+Drive)	%
	Min. mm		

Pump Materials

Adapter	Aluminium
Bolts and screws	Stainless steel
Diffuser	Stainless steel
Fill / drain plugs	Stainless steel
Impeller	Stainless steel 304
Pump body	Stainless steel
SEAL HOUSING	Stainless steel
Shaft	Stainless steel
Wear ring	Technopolymer

Shaft Seal

Mechanical Seal	
HM - uniten	Roten
Rotating Assembly	V-Ceramic
Fixed Assembly	B-Resin impregnated carbon
Elastomers	E - EPDM
Springs	G-AISI 316
Other Components	G-AISI 316

Motor data

Manufacturer	Lowara	Electric voltage	240 V	Speed	3600 rpm	Insulation class	F
Specific design	Three phase e-SM motor			Frame size	80	Colour	RAL 5010
Type	ESM80/307 HM..	Electric current	3.28 A				
Rated power	0.75 kW	Degree of protection	IP 55				

Remarks:

5HME04S07T05VBE

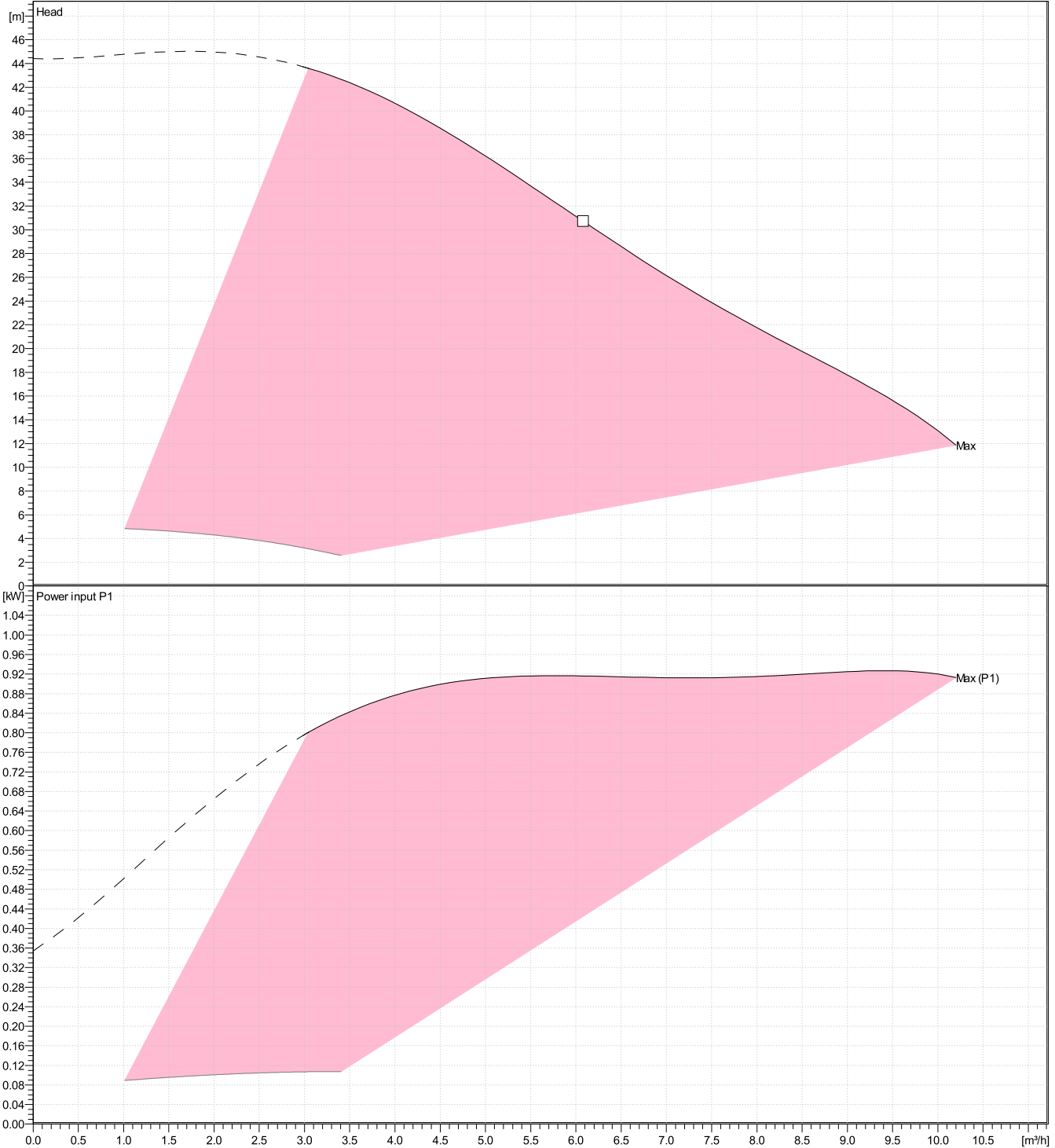
Performance curve

Company name
Contact
Phone number
e-mail address

Hydraulic data

Operating Data Specification		Hydraulic data (duty point)		Impeller design	
Flow	0 m ³ /h	Flow		Impeller R	0 mm
Head	0 m	Head		Frequency	50 Hz
Static head	0 m			Speed	

Power datas referred to:
Water, pure [100%] ; 4°C; 1000kg/m³; 1.57mm²/s
Performance according to ISO 9906:2012 – Grade 3B

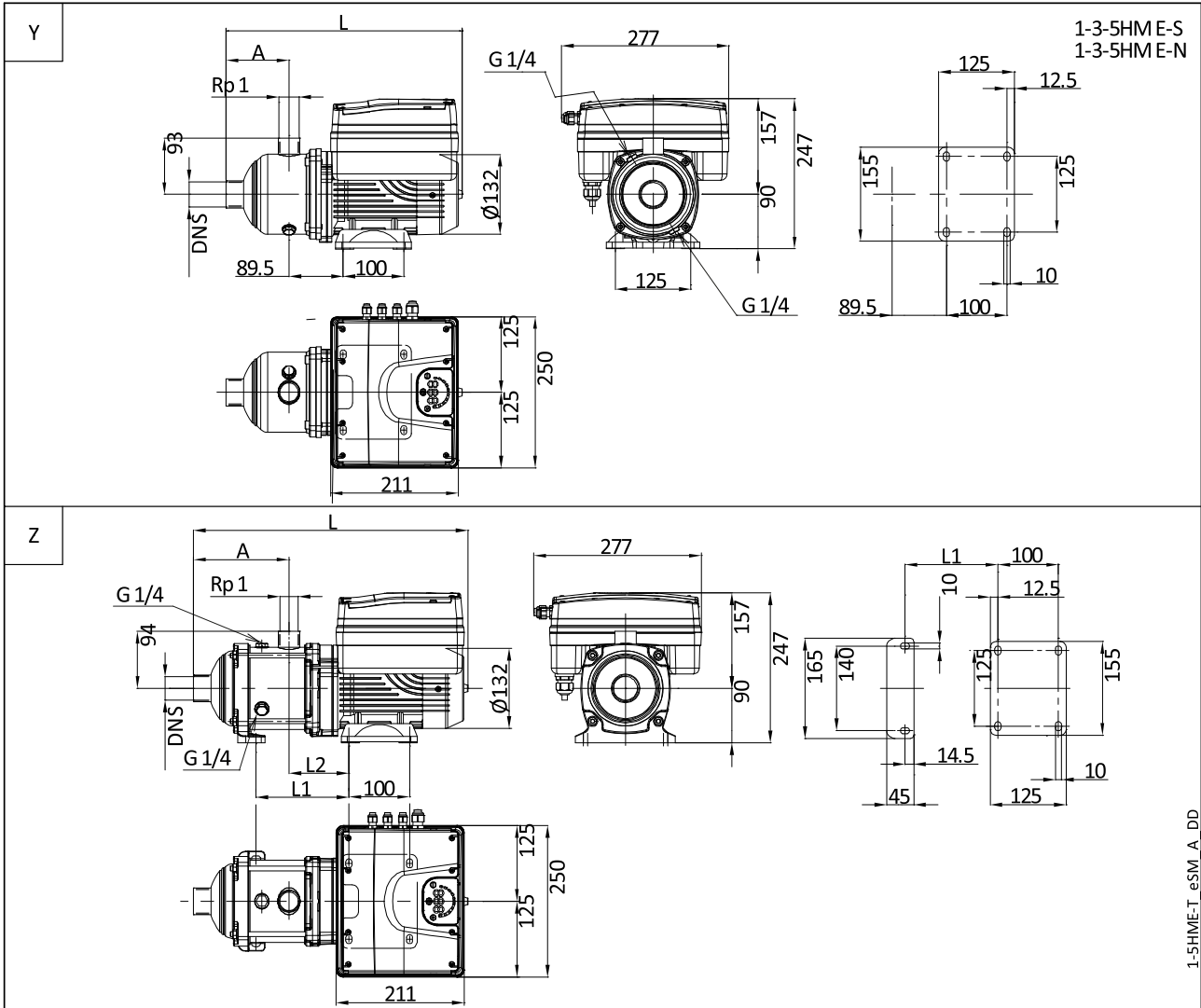


5HME04S07T05VBE

Dimensions

Company name
Contact
Phone number
e-mail address

Drawing



Dimensions mm

A	129					Weight 20 kg
DNS	Rp 1 1/4					
Drawing	Y					
L	416					