

## 10HME03S15M02VBE

### Technical data

Company name  
Contact  
Phone number  
e-mail address

#### Operating data

Pump type	Single head pump	Fluid	Water, pure
No. of pumps / Reserve	1 / 0	Operating temperature t A	°C 4
Nominal flow	m <sup>3</sup> /h 0	pH-value at t A	7
Nominal head	m 0	Density at t A	kg/m <sup>3</sup> 1000
Static head	m 0	Kin. viscosity at t A	mm <sup>2</sup> /s 1.569
Inlet pressure	kPa 0	Vapor pressure at t A	kPa 100
Environmental temperature	°C 20	Solids	0
Available system NPSH	m 0	Altitude	m 0

#### Pump data

Make	Lowara	Nominal	m <sup>3</sup> /h
Speed	rpm	Flow Max-	m <sup>3</sup> /h 17
Number of stages	3	Min-	m <sup>3</sup> /h 6.1
		Nominal	m
Max. working pressure	kPa 514.3	Head at Qmax	m 17.5
Head H(Q=0)	m 52	at Qmin	m 49.1
Weight	kg 14	Power input	kW
	Max. mm 73	Max. shaft power	kW 1.49
Impeller R designed	mm 73	Efficiency (Hydraulic+Motor+Drive)	%
	Min. mm 73		

#### Pump Materials

Adapter	Aluminium
Diffuser and upper spacer	Stainless steel
Fill / drain plugs	Stainless steel
Head	Stainless steel
Impeller	Stainless steel 304
Outer sleeve	Stainless steel
Ring with foot	Aluminium
SEAL HOUSING	Stainless steel
Shaft	Stainless steel
Shaft sleeve and bushing	Tungsten carbide
Tie rods	Stainless steel
Wear ring	Technopolymer

#### Shaft Seal

Mechanical Seal	Roten
HM - uniten	V-Ceramic
Rotating Assembly	B-Resin impregnated carbon
Fixed Assembly	E - EPDM
Elastomers	G-AISI 316
Springs	G-AISI 316
Other Components	

#### Motor data

Manufacturer	Lowara	Electric voltage	208 V	Speed	3600 rpm	Insulation class	F
Specific design	Single phase e-SM motor			Frame size	80	Colour	RAL 5010
Type	ESM80/115 HM	Electric current	7.82 A	Motor Efficiency Class	IE5		
Rated power	1.5 kW	Degree of protection	IP 55				

#### Remarks:

**10HME03S15M02VBE**

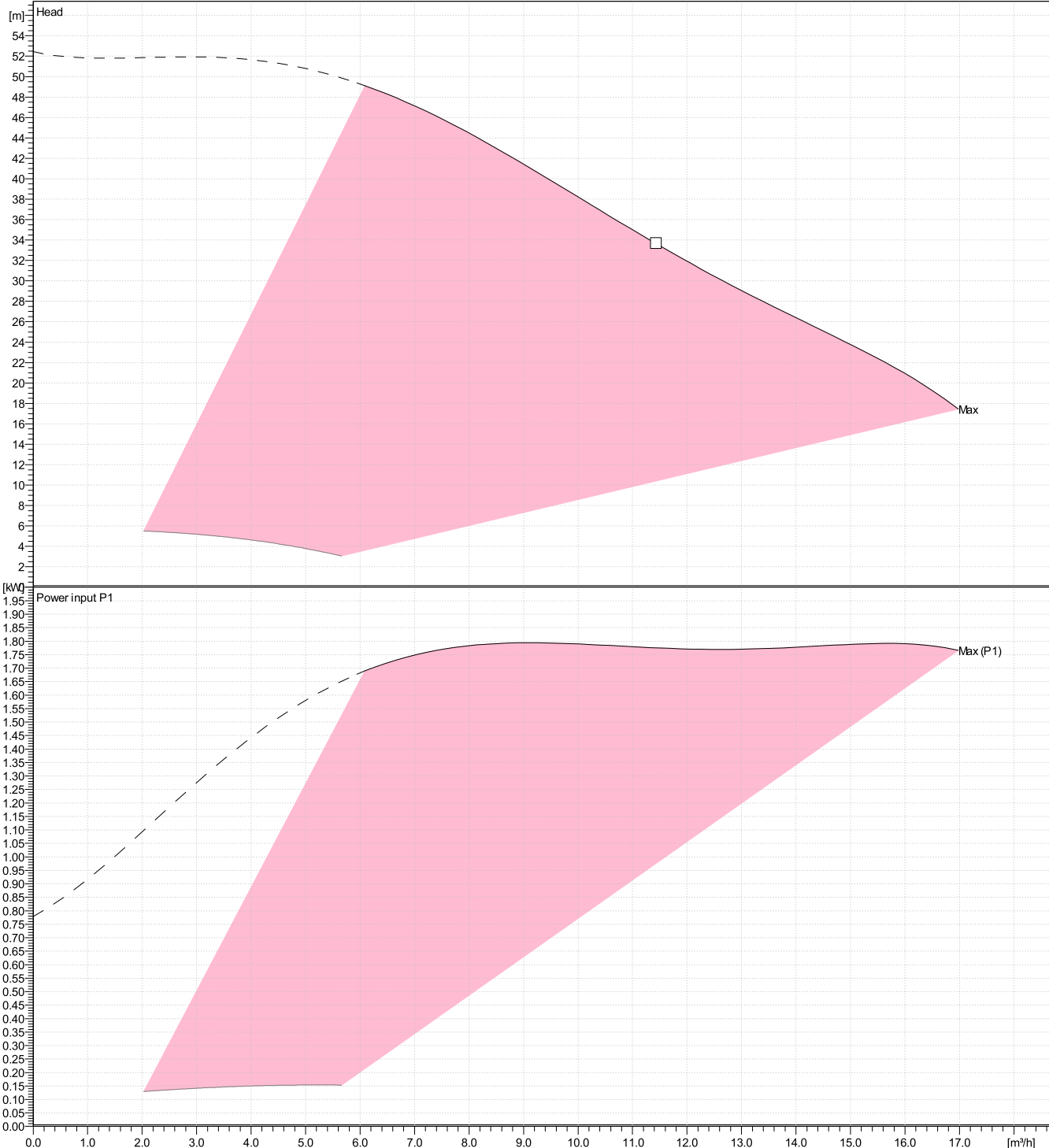
**Performance curve**

Company name  
Contact  
Phone number  
e-mail address

**Hydraulic data**

Operating Data Specification		Hydraulic data (duty point)		Impeller design	
Flow	0 m <sup>3</sup> /h	Flow		Impeller R	73 mm
Head	0 m	Head		Frequency	50 Hz
Static head	0 m			Speed	

Power datas referred to:  
Water, pure [100%] ; 4°C; 1000kg/m<sup>3</sup>; 1.57mm<sup>2</sup>/s  
Performance according to ISO 9906:2012 – Grade 3B

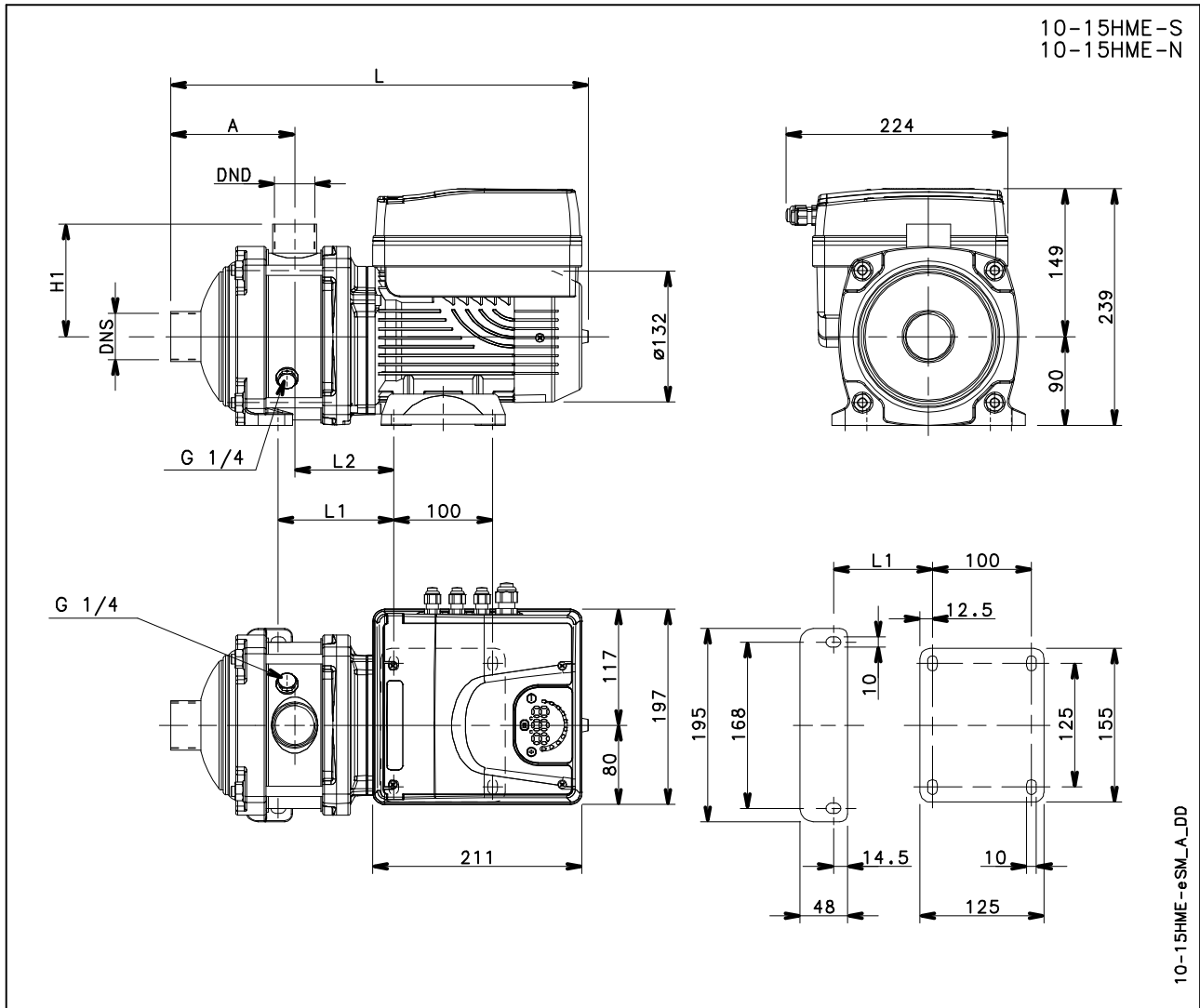


**10HME03S15M02VBE**

**Dimensions**

Company name  
Contact  
Phone number  
e-mail address

**Drawing**



**Dimensions mm**

A	125					Weight 10 kg
DND	Rp 1 1/4					
DNS	Rp 1 1/2					
H1	113					
L	422					
L1	116.5					
L2	100					