

NSCSX 65-125/40/204CC4

Technical data

Company name
Contact
Phone number
e-mail address

| Operating data | | | | | |
|----------------|---------------------------|---------------------|------------------------------|--------------------|-------|
| 1 | Pumpe type | Horizontal | Fluid | Water, pure | |
| 2 | No. of pumps | 1 | Operating temperature at t A | °C | 4 |
| 3 | Nominal flow | m ³ /h 0 | pH-value at t A | | 7 |
| 4 | Nominal head | m 0 | Density at t A | kg/m ³ | 1000 |
| 5 | Static head | m 0 | Vapor pressure at t A | kPa | 100 |
| 6 | Inlet pressure | kPa 0 | Kin. viscosity at t A | mm ² /s | 1.569 |
| 7 | Environmental temperature | °C 20 | Altitude | | 0 |
| 8 | Available system NPSH | m 0 | | | |

| Pump data | | |
|-----------|-----------------------|-------------------|
| 9 | Product version | [X] - Hydrovar X+ |
| 10 | Operating speed | |
| 11 | Stages | 1 |
| 12 | Max. working pressure | kPa 196.3 |
| 13 | Head H(Q=0) | m 20 |
| 14 | Power input P1(max) | kW 4.4 |
| 15 | Total weight | kg 62.0 |
| 16 | Power input | kW |
| 17 | Overall efficiency | % |
| 18 | Shaft power | kW |
| 19 | Pump efficiency | % |
| 20 | NPSH 3% | m |
| 21 | | |

| Materials | | | | |
|-----------|------------------------------|-----------------|--|---|
| | Pump | | Shaft Seal | |
| 22 | | | Single mechanical seal, without shaft sleeve | |
| 23 | Volute Casing | Cast Iron | | |
| 24 | Casing Cover | Cast Iron | eMG12 - Ø22mm | BQ7EGG-WA |
| 25 | Impeller | Cast Iron | | |
| 26 | Shaft | Stainless steel | 1. Rotating ring | Carbon graphite resin impregnated |
| 27 | Wear ring | Stainless steel | 2. Stationary ring | SiC, silicon carbide, sintered press.less |
| 28 | Impeller lock nut and washer | Stainless steel | 3. Secondary seal | Ethylene propylene rubber (EPDM) |
| 29 | Impeller key | Stainless steel | 4. Springs | CrNiMo - Steel |
| 30 | Fill and drain plugs | Stainless steel | 5. Others | EPDM - WRAS |
| 31 | | | Gaskets of the pump | Ethylene propylene rubber (EPDM) |
| 32 | | | | |
| 33 | | | | |
| 34 | | | | |
| 35 | | | | |
| 36 | | | | |
| 37 | | | | |
| 38 | | | | |
| 39 | | | | |
| 40 | | | | |
| 41 | | | | |

| Motor data | | | | |
|------------|-----------------|-----------------------|--------------------------|-------------------------------|
| 42 | Manufacturer | Xylem | Rated voltage | 380-480V |
| 43 | Specific design | IE5 Three phase motor | Rated current | 7,7-6,6 A |
| 44 | Type | EXM112B5/4.040BH2 | Motor efficiency @400V % | 4/4: 88.5 3/4: 88.6 2/4: 87.3 |
| 45 | Rated power | 4 kW | Power factor @400V | 0.9 |
| 46 | Nominal speed | 3600 rpm | Weight | kg 24.7 |
| 47 | Frame size | 112 | | |
| 48 | Size | B | | |

| Remarks | |
|---------|--|
| 49 | |
| 50 | |
| 50 | |
| 52 | |

NSCSX 65-125/40/204CC4

Performance curve

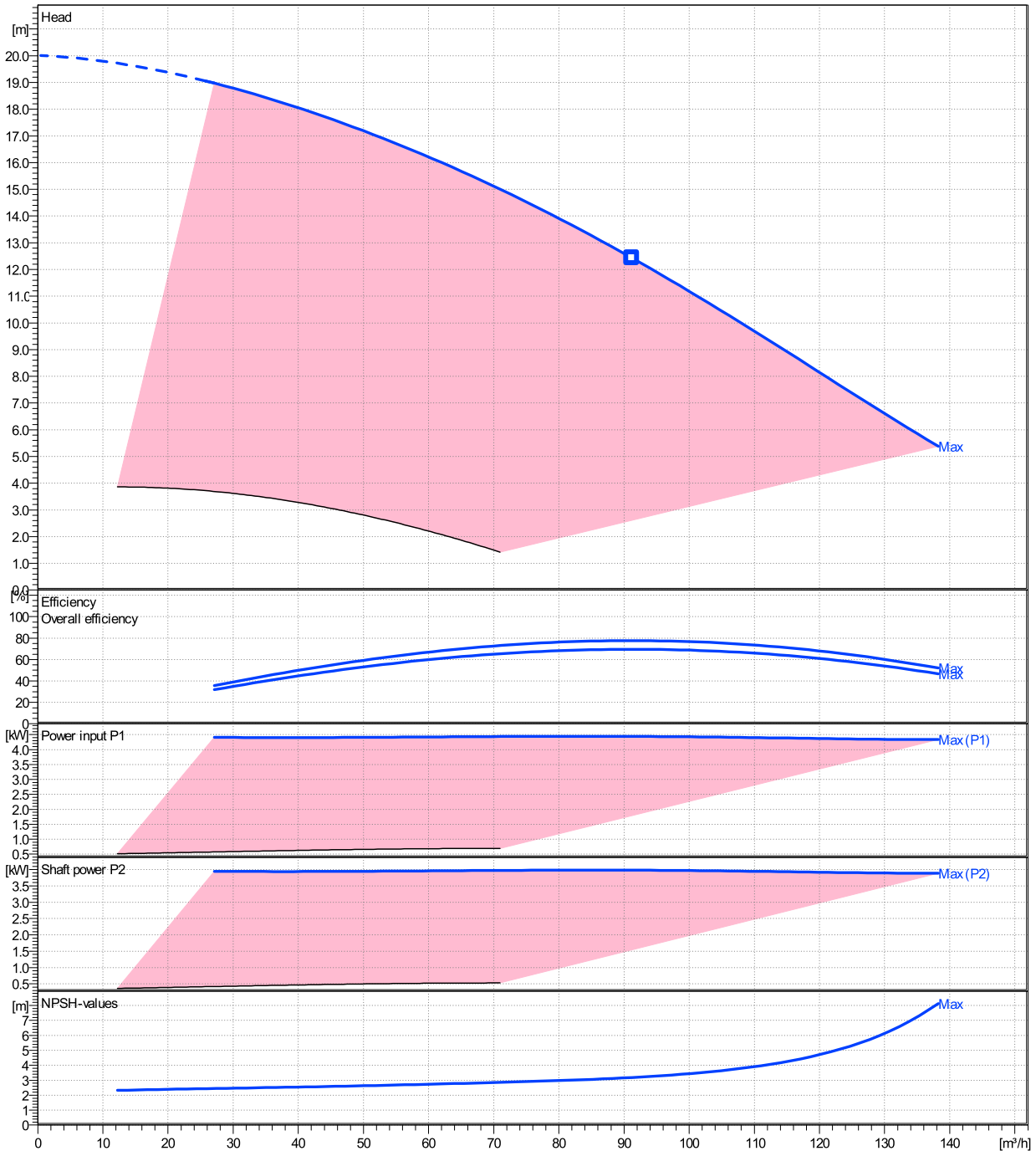
Company name
Contact
Phone number
e-mail address

| Ø | Pump capacity | | | Pump head | | Frequency | Hz | 50/60 |
|------|-----------------|-----------|-----------|-----------|------|-----------------|------|-------|
| | Operating range | η | η | H(Q=0) | η | | | |
| | Min. m³/h | Max. m³/h | Max. m³/h | m | m | Operating speed | rpm | |
| Max. | 27.1 | 138 | 91.2 | 20 | 12.4 | Nominal flow | m³/h | 0 |
| | | | | | | Nominal head | m | 0 |
| | | | | | | Inlet pressure | kPa | 0 |
| | | | | | | Static head | m | 0 |

Power datas referred to:

Water, pure [100%] ; 4°C; 1000kg/m³; 1.57mm²/s

hydr. Performance acceptance acc. To EN ISO 9906 Class 3B

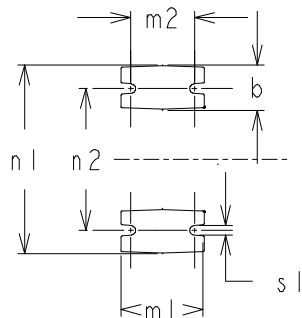
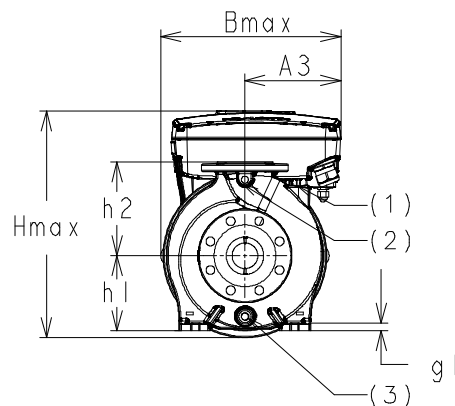
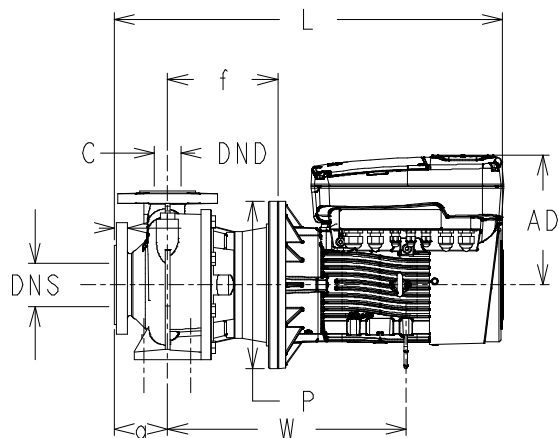


NSCSX 65-125/40/204CC4

Dimensions

Company name
Contact
Phone number
e-mail address

[X] - Hydrovar X+
EXM112B5/4.040BH2

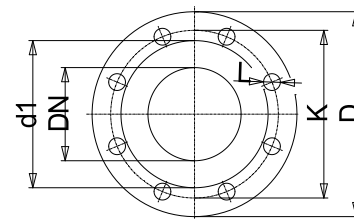


- (1) FILL
- (2) PRESSURE GAUGE CONNECTOR
- (3) DRAIN

| Dimensions | | [mm] | |
|------------|------|--------|-----|
| (1) | G1/8 | n2 | 212 |
| (2) | G1/4 | P | 300 |
| (3) | G3/8 | s1 | 14 |
| a | 100 | Type | A |
| A3 | 149 | W | 357 |
| AD | 194 | x | 300 |
| b | 65 | | |
| Bmax | 301 | | |
| DND | 65 | | |
| DNS | 80 | | |
| f | 192 | | |
| g1 | 16 | | |
| H | 112 | | |
| h1 | 160 | | |
| h2 | 180 | | |
| Hmax | 354 | | |
| L | 601 | | |
| m1 | 125 | | |
| m2 | 95 | | |
| n1 | 280 | | |

| Weight | |
|---------------------|--------------|
| Total weight | 62 kg |

| Connections | | | |
|-------------|-----|----------|-----|
| EN1092-2 | | EN1092-2 | |
| DN 80 | | DN 65 | |
| PN 16 | | PN 16 | |
| C | 22 | C | 20 |
| D | 200 | D | 185 |
| df | 132 | df | 118 |
| DN | 80 | DN | 65 |
| K | 160 | K | 145 |



Value C, D may vary from Standard

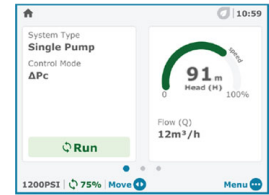
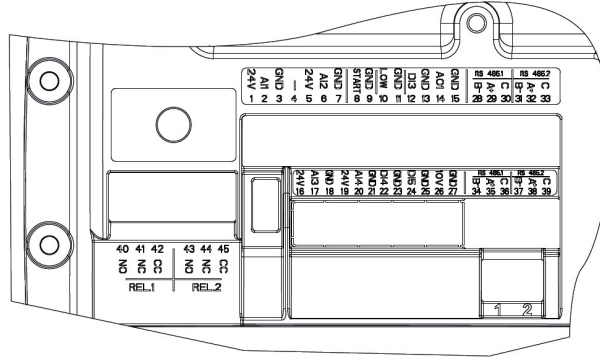
Dimensions and weight without obligation

| | | | | | |
|---------|------------------------|------------|-----------|-------------|-----------|
| Project | Xlect-20354052 | Created by | | Last update | 7/22/2024 |
| Block | NSCSX 65-125/40/204CC4 | Created on | 7/22/2024 | | |

NSCSX 65-125/40/204CC4

Technical data

Company name
Contact
Phone number
e-mail address



| REF. | ITEM | DESCRIPTION | DEFAULT |
|------|------------------------|---|-------------------|
| 1 | | Power supply +24 VDC, max. 60mA (total, terminals 1 + 5) | |
| 2 | Analog Input 1 | Configurable Analog Input 1 | Pressure Sensor 1 |
| 3 | | Electronic GND | |
| 4 | Not used | Internal use - Do not connect | |
| 5 | | Power supply +24 VDC, max. 60mA (total, terminals 1 + 5) | |
| 6 | Analog Input 2 | Configurable Analog Input 2 | Not used |
| 7 | | Electronic GND | |
| 8 | External Start/Stop | Start/Stop digital input, +24 VDC internal pull-up, 6mA contact current | - |
| 9 | | Electronic GND | |
| 10 | External Lack of Water | Low water digital input, +24 VDC internal pull-up, 6mA contact current | - |
| 11 | | Electronic GND | |
| 12 | Digital Input 3 | Configurable Digital Input 3, +24 VDC internal pull-up, 6mA contact current | Solo Run |
| 13 | | Electronic GND | |
| 14 | Analog Output | Configurable Analog Output | Motor Speed |
| 15 | | Electronic GND | |
| 16 | | Power supply +24 VDC, max. 60mA (total, terminals 16 and 19) | |
| 17 | Analog Input 3 | Configurable Analog Input 3 | Not used |
| 18 | | Electronic GND | |
| 19 | | Power supply +24 VDC, max. 60mA (total, terminals 16 and 19) | |
| 20 | Analog Input 4 | Configurable Analog Input 4 | Not used |
| 21 | | Electronic GND | |
| 22 | Digital Input 4 | Configurable Digital Input 4, +24 VDC internal pull-up, 6mA contact current | Not used |
| 23 | | Electronic GND | |
| 24 | Digital Input 5 | Configurable Digital Input 5, +24 VDC internal pull-up, 6mA contact current | Not used |
| 25 | | Electronic GND | |
| 26 | 10 VDC supply | Power supply +10 VDC, max. 3mA | - |
| 27 | | Electronic GND | |
| 28 | | RS485 port 1 : RS485-1B N (-) | |
| 29 | Communication bus 1 | RS485 port 1 : RS485-1A P (+) | Multipump |
| 30 | | RS485 port 1 : RS485-COM | |
| 31 | | RS485 port 2 : RS485-2B N (-) | |
| 32 | Communication bus 2 | RS485 port 2 : RS485-2A P (+) | Modbus |
| 33 | | RS485 port 2 : RS485-COM | |
| 34 | | RS485 port 1 : RS485-1B N (-) | |
| 35 | Communication bus 1 | RS485 port 1 : RS485-1A P (+) | Multipump |
| 36 | | RS485 port 1 : RS485-COM | |
| 37 | | RS485 port 2 : RS485-2B N (-) | |
| 38 | Communication bus 2 | RS485 port 2 : RS485-2A P (+) | Modbus |
| 39 | | RS485 port 2 : RS485-COM | |
| 40 | | Configurable relay 1: Normally Open | |
| 41 | Relay 1 | Configurable relay 1: Normally Closed | Running |
| 42 | | Configurable relay 1: Common Contact | |
| 43 | | Configurable relay 2: Normally Open | |
| 44 | Relay 2 | Configurable relay 2: Normally Closed | Error |
| 45 | | Configurable relay 2: Common Contact | |