

NSCEX 50-200/220/204CS4

Technical data

Company name
Contact
Phone number
e-mail address

Operating data						
1	Pumpe type	Horizontal		Fluid	Water, pure	
2	No. of pumps		1	Operating temperature at t A	°C	4
3	Nominal flow	m ³ /h	0	pH-value at t A		7
4	Nominal head	m	0	Density at t A	kg/m ³	1000
5	Static head	m	0	Vapor pressure at t A	kPa	100
6	Inlet pressure	kPa	0	Kin. viscosity at t A	mm ² /s	1.569
7	Environmental temperature	°C	20	Altitude		0
8	Available system NPSH	m	0			

Pump data		
9	Product version	[X] - Hydrovar X+
10	Operating speed	
11	Stages	1
12	Max. working pressure	kPa 800.2
13	Head H(Q=0)	m 82
14	Power input P1(max)	kW 24.1
15	Total weight	kg 118.0
16	Power input	kW
17	Overall efficiency	%
18	Shaft power	kW
19	Pump efficiency	%
20	NPSH 3%	m
21		

Materials				
	Pump		Shaft Seal	
22			Single mechanical seal, without shaft sleeve	
23	Volute Casing	Cast Iron		
24	Casing Cover	Cast Iron	eMG12 - Ø22mm	BQ7EGG-WA
25	Impeller	Fabricated Stainless Steel		
26	Shaft	Stainless steel	1. Rotating ring	Carbon graphite resin impregnated
27	Wear ring	Stainless steel	2. Stationary ring	SiC, silicon carbide, sintered press.less
28	Impeller lock nut and washer	Stainless steel	3. Secondary seal	Ethylene propylene rubber (EPDM)
29	Impeller key	Stainless steel	4. Springs	CrNiMo - Steel
30	Fill and drain plugs	Stainless steel	5. Others	EPDM - WRAS
31			Gaskets of the pump	Ethylene propylene rubber (EPDM)
32				
33				
34				
35				
36				
37				
38				
39				
40				
41				

Motor data				
42	Manufacturer	Xylem	Rated voltage	380-480V
43	Specific design	IE5 Three phase motor	Rated current	38,9-32,4 A
44	Type	EXM180B14/4.220DH2	Motor efficiency @400V %	4/4: 92.6 3/4: 92.1 2/4: 91
45	Rated power	22 kW	Power factor @400V	0.93
46	Nominal speed	3600 rpm	Weight	kg 81.4
47	Frame size	180		
48	Size	D		

Remarks	
49	
50	
50	
52	

NSCEX 50-200/220/204CS4

Performance curve

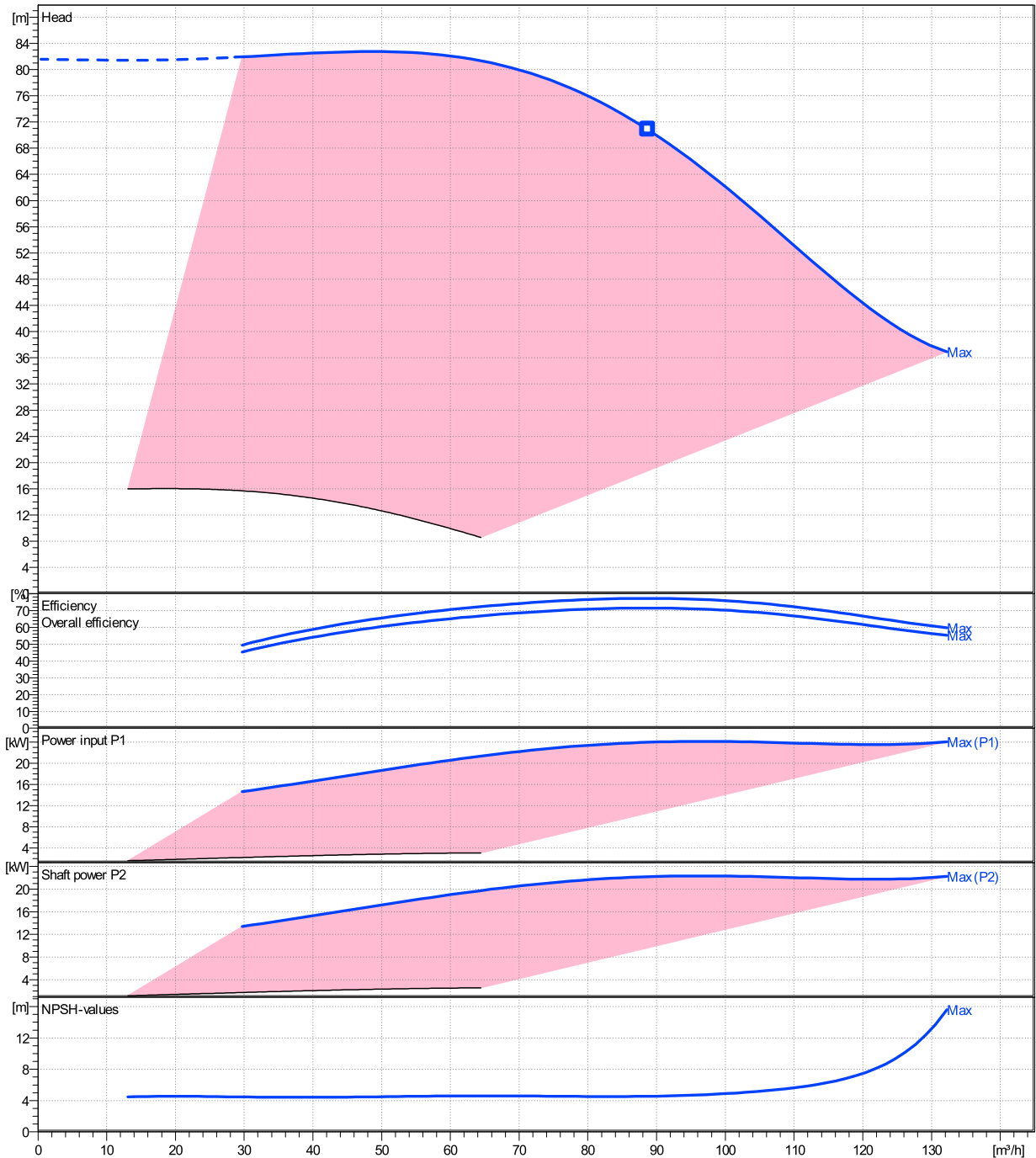
Company name
Contact
Phone number
e-mail address

Ø	Pump capacity			Pump head		Frequency	Hz	50/60
	Operating range	η	η	H(Q=0)	η			
	Min. m³/h	Max. m³/h	Max. m³/h	m	m	Operating speed	rpm	
Max.	29.7	132	88.7	81.6	70.8	Nominal flow	m³/h	0
						Nominal head	m	0
						Inlet pressure	kPa	0
						Static head	m	0

Power datas referred to:

Water, pure [100%] ; 4°C; 1000kg/m³; 1.57mm²/s

hydr. Performance acceptance acc. To EN ISO 9906 Class 3B

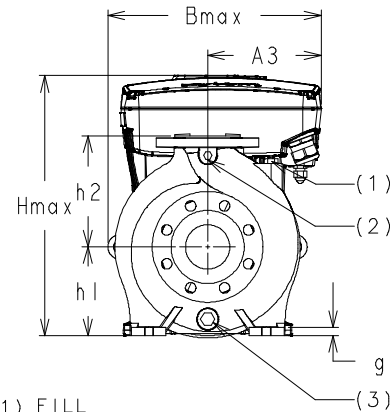
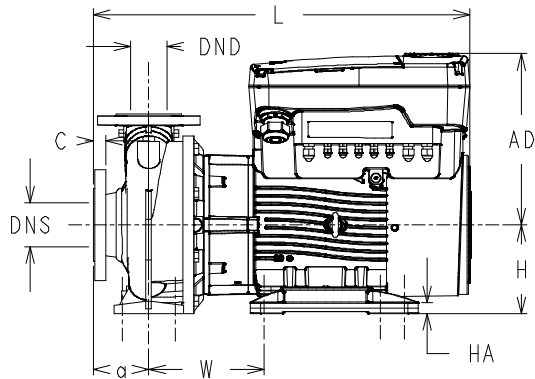


NSCEX 50-200/220/204CS4

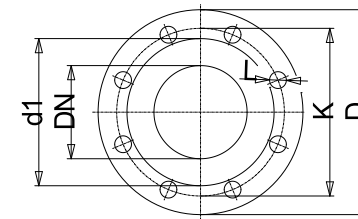
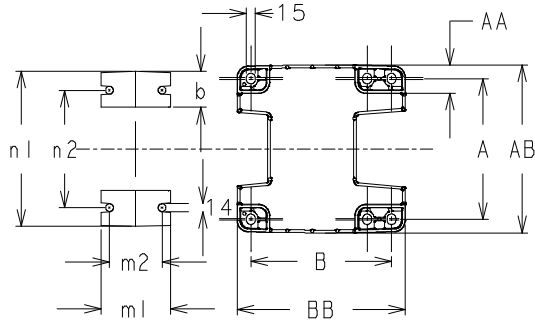
Dimensions

Company name
Contact
Phone number
e-mail address

[X] - Hydrovar X+
EXM180B14/4.220DH2



- (1) FILL
- (2) PRESSURE GAUGE CONNECTOR
- (3) DRAIN



Value C, D may vary from Standard

Dimensions		[mm]	
(1)	G1/8	Hmax	492
(2)	G1/4	L	680
(3)	G3/8	m1	100
a	100	m2	70
A	241	n1	265
A3	205	n2	212
AA	50	Type	B
AB	294	W	221
AD	312	x	300
B	279		
b	50		
BB	338		
Bmax	385		
DND	50		
DNS	65		
g1	14		
H	180		
h1	160		
h2	200		
HA	22		

Weight	
Total weight	118 kg

Connections			
EN1092-2		EN1092-2	
DN 65		DN 50	
PN 16		PN 16	
C	20	C	20
D	185	D	165
df	118	df	99
DN	65	DN	50
K	145	K	125

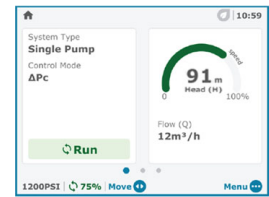
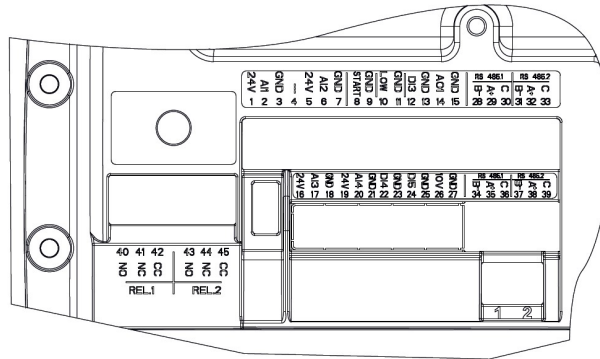
Dimensions and weight without obligation

Project	Xylect-20352953	Created by		Last update	7/22/2024
Block	NSCEX 50-200/220/204CS4	Created on	7/22/2024		

NSCEX 50-200/220/204CS4

Technical data

Company name
Contact
Phone number
e-mail address



REF.	ITEM	DESCRIPTION	DEFAULT
1		Power supply +24 VDC, max. 60mA (total, terminals 1 + 5)	
2	Analog Input 1	Configurable Analog Input 1	Pressure Sensor 1
3		Electronic GND	
4	Not used	Internal use - Do not connect	
5		Power supply +24 VDC, max. 60mA (total, terminals 1 + 5)	
6	Analog Input 2	Configurable Analog Input 2	Not used
7		Electronic GND	
8	External Start/Stop	Start/Stop digital input, +24 VDC internal pull-up, 6mA contact current	-
9		Electronic GND	
10	External Lack of Water	Low water digital input, +24 VDC internal pull-up, 6mA contact current	-
11		Electronic GND	
12	Digital Input 3	Configurable Digital Input 3, +24 VDC internal pull-up, 6mA contact current	Solo Run
13		Electronic GND	
14	Analog Output	Configurable Analog Output	Motor Speed
15		Electronic GND	
16		Power supply +24 VDC, max. 60mA (total, terminals 16 and 19)	
17	Analog Input 3	Configurable Analog Input 3	Not used
18		Electronic GND	
19		Power supply +24 VDC, max. 60mA (total, terminals 16 and 19)	
20	Analog Input 4	Configurable Analog Input 4	Not used
21		Electronic GND	
22	Digital Input 4	Configurable Digital Input 4, +24 VDC internal pull-up, 6mA contact current	Not used
23		Electronic GND	
24	Digital Input 5	Configurable Digital Input 5, +24 VDC internal pull-up, 6mA contact current	Not used
25		Electronic GND	
26	10 VDC supply	Power supply +10 VDC, max. 3mA	-
27		Electronic GND	
28		RS485 port 1 : RS485-1B N (-)	
29	Communication bus 1	RS485 port 1 : RS485-1A P (+)	Multipump
30		RS485 port 1 : RS485-COM	
31		RS485 port 2 : RS485-2B N (-)	
32	Communication bus 2	RS485 port 2 : RS485-2A P (+)	Modbus
33		RS485 port 2 : RS485-COM	
34		RS485 port 1 : RS485-1B N (-)	
35	Communication bus 1	RS485 port 1 : RS485-1A P (+)	Multipump
36		RS485 port 1 : RS485-COM	
37		RS485 port 2 : RS485-2B N (-)	
38	Communication bus 2	RS485 port 2 : RS485-2A P (+)	Modbus
39		RS485 port 2 : RS485-COM	
40		Configurable relay 1: Normally Open	
41	Relay 1	Configurable relay 1: Normally Closed	Running
42		Configurable relay 1: Common Contact	
43		Configurable relay 2: Normally Open	
44	Relay 2	Configurable relay 2: Normally Closed	Error
45		Configurable relay 2: Common Contact	