

# NSCEX 40-160/55/204CS4

## Technical data

Company name  
Contact  
Phone number  
e-mail address

Operating data					
1	Pumpe type	Horizontal		Fluid	Water, pure
2	No. of pumps		1	Operating temperature t A	°C 4
3	Nominal flow	m <sup>3</sup> /h	0	pH-value at t A	7
4	Nominal head	m	0	Density at t A	kg/m <sup>3</sup> 1000
5	Static head	m	0	Vapor pressure at t A	kPa 100
6	Inlet pressure	kPa	0	Kin. viscosity at t A	mm <sup>2</sup> /s 1.569
7	Environmental temperature	°C	20	Altitude	0
8	Available system NPSH	m	0		

Pump data		
9	Product version	[X] - Hydrovar X+
10	Operating speed	
11	Stages	1
12	Max. working pressure	kPa 488
13	Head H(Q=0)	m 50
14	Power input P1(max)	kW 6.2
15	Total weight	kg 57.0
16	Power input	kW
17	Overall efficiency	%
18	Shaft power	kW
19	Pump efficiency	%
20	NPSH 3%	m
21		

Materials				
	Pump		Shaft Seal	
22			Single mechanical seal, without shaft sleeve	
23	Volute Casing	Cast Iron		
24	Casing Cover	Cast Iron	eMG12 - Ø22mm	BQ7EGG-WA
25	Impeller	Fabricated Stainless Steel		
26	Shaft	Stainless steel	1. Rotating ring	Carbon graphite resin impregnated
27	Wear ring	Stainless steel	2. Stationary ring	SiC, silicon carbide, sintered press.less
28	Impeller lock nut and washer	Stainless steel	3. Secondary seal	Ethylene propylene rubber (EPDM)
29	Impeller key	Stainless steel	4. Springs	CrNiMo - Steel
30	Fill and drain plugs	Stainless steel	5. Others	EPDM - WRAS
31			Gaskets of the pump	Ethylene propylene rubber (EPDM)
32				
33				
34				
35				
36				
37				
38				
39				
40				
41				

Motor data					
42	Manufacturer	Xylem	Rated voltage	380-480V	
43	Specific design	IE5 Three phase motor	Rated current	11,4-11,0 A	
44	Type	EXM132B14/4.055CH2	Motor efficiency @400V %	4/4: 90.6 3/4: 89.9 2/4: 88.5	
45	Rated power	5.5 kW	Power factor @400V	0.8	
46	Nominal speed	3600 rpm	Weight	kg	36.0
47	Frame size	132			
48	Size	C			

Remarks					
49					
50					
50					
52					

# NSCEX 40-160/55/204CS4

## Performance curve

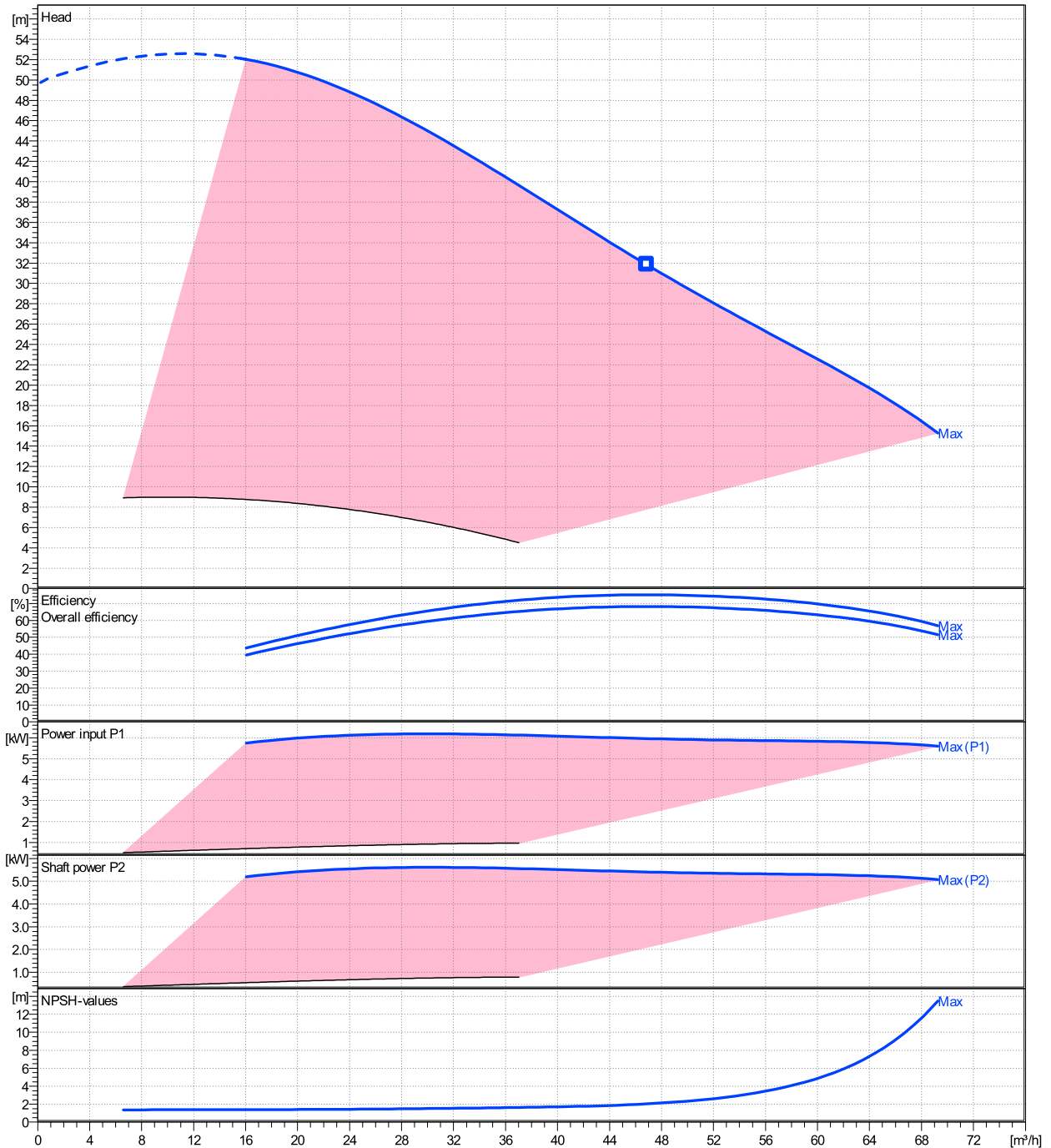
Company name  
Contact  
Phone number  
e-mail address

Ø	Pump capacity			Pump head		Frequency	Hz	50/60
	Operating range	η	η	H(Q=0)	η			
	Min. m³/h	Max. m³/h	Max. m³/h	m	Max. m			
Max.	16	69.3	46.9	49.7	31.9	Operating speed	rpm	
						Nominal flow	m³/h	0
						Nominal head	m	0
						Inlet pressure	kPa	0
						Static head	m	0

**Power datas referred to:**

Water, pure [100%] ; 4°C; 1000kg/m³; 1.57mm²/s

hydr. Performance acceptance acc. To EN ISO 9906 Class 3B

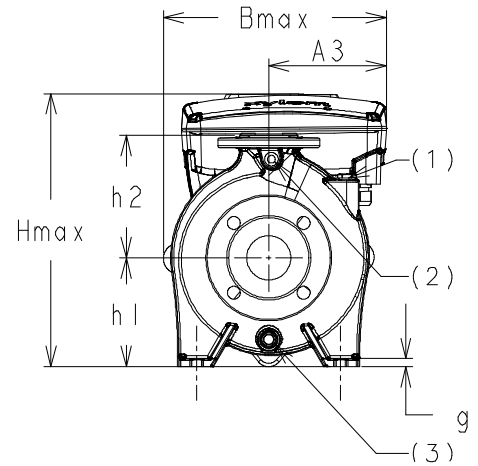
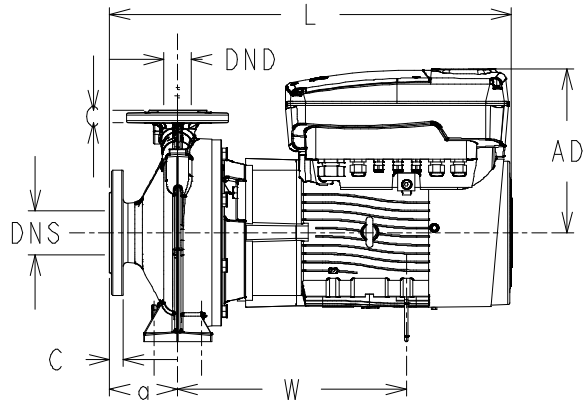


# NSCEX 40-160/55/204CS4

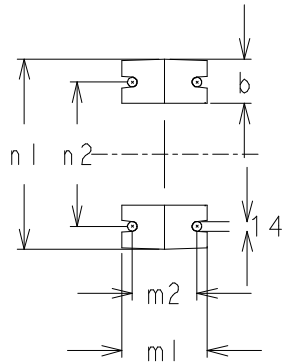
## Dimensions

Company name  
Contact  
Phone number  
e-mail address

[X] - Hydrovar X+  
EXM132B14/4.055CH2



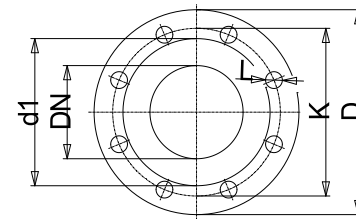
- (1) FILL
- (2) PRESSURE GAUGE CONNECTOR
- (3) DRAIN



Dimensions		[ mm ]	
(1)	G1/8	W	337
(2)	G1/4	x	300
(3)	G3/8		
a	80		
A3	175		
AD	241		
b	50		
Bmax	330		
DND	40		
DNS	65		
g1	14		
h1	132		
h2	160		
Hmax	373		
L	571		
m1	100		
m2	70		
n1	240		
n2	190		
Type	A		

Weight	
Total weight	57 kg

Connections			
EN1092-2		EN1092-2	
DN 65		DN 40	
PN 16		PN 16	
C	20	C	18
D	185	D	150
df	118	df	84
DN	65	DN	40
K	145	K	110



Value C, D may vary from Standard

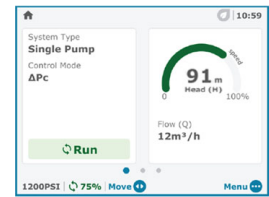
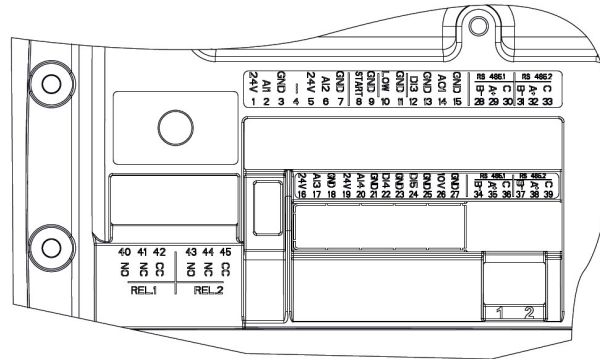
### Dimensions and weight without obligation

Project	Xylect-20352525	Created by		Last update	7/22/2024
Block	NSCEX 40-160/55/204CS4	Created on	7/22/2024		

**NSCEX 40-160/55/204CS4**

**Technical data**

Company name  
Contact  
Phone number  
e-mail address



REF.	ITEM	DESCRIPTION	DEFAULT
1		Power supply +24 VDC, max. 60mA (total, terminals 1 + 5)	
2	Analog Input 1	Configurable Analog Input 1	Pressure Sensor 1
3		Electronic GND	
4	Not used	Internal use - Do not connect	
5		Power supply +24 VDC, max. 60mA (total, terminals 1 + 5)	
6	Analog Input 2	Configurable Analog Input 2	Not used
7		Electronic GND	
8	External Start/Stop	Start/Stop digital input, +24 VDC internal pull-up, 6mA contact current	-
9		Electronic GND	
10	External Lack of Water	Low water digital input, +24 VDC internal pull-up, 6mA contact current	-
11		Electronic GND	
12	Digital Input 3	Configurable Digital Input 3, +24 VDC internal pull-up, 6mA contact current	Solo Run
13		Electronic GND	
14	Analog Output	Configurable Analog Output	Motor Speed
15		Electronic GND	
16		Power supply +24 VDC, max. 60mA (total, terminals 16 and 19)	
17	Analog Input 3	Configurable Analog Input 3	Not used
18		Electronic GND	
19		Power supply +24 VDC, max. 60mA (total, terminals 16 and 19)	
20	Analog Input 4	Configurable Analog Input 4	Not used
21		Electronic GND	
22	Digital Input 4	Configurable Digital Input 4, +24 VDC internal pull-up, 6mA contact current	Not used
23		Electronic GND	
24	Digital Input 5	Configurable Digital Input 5, +24 VDC internal pull-up, 6mA contact current	Not used
25		Electronic GND	
26		Power supply +10 VDC, max. 3mA	
27	10 VDC supply	Electronic GND	-
28		RS485 port 1 : RS485-1B N (-)	
29	Communication bus 1	RS485 port 1 : RS485-1A P (+)	Multipump
30		RS485 port 1 : RS485-COM	
31		RS485 port 2 : RS485-2B N (-)	
32	Communication bus 2	RS485 port 2 : RS485-2A P (+)	Modbus
33		RS485 port 2 : RS485-COM	
34		RS485 port 1 : RS485-1B N (-)	
35	Communication bus 1	RS485 port 1 : RS485-1A P (+)	Multipump
36		RS485 port 1 : RS485-COM	
37		RS485 port 2 : RS485-2B N (-)	
38	Communication bus 2	RS485 port 2 : RS485-2A P (+)	Modbus
39		RS485 port 2 : RS485-COM	
40		Configurable relay 1: Normally Open	
41	Relay 1	Configurable relay 1: Normally Closed	Running
42		Configurable relay 1: Common Contact	
43		Configurable relay 2: Normally Open	
44	Relay 2	Configurable relay 2: Normally Closed	Error
45		Configurable relay 2: Common Contact	