

# Wilo-Yonos PICO





**Even more convenience, even less power consumption.**

A visible symbol of the new generation of high-efficiency pumps for heating and air-conditioning systems in residential dwellings is the green operating button, which, together with new functions, provides maximum convenience in commissioning and maintenance. Default settings for radiators or underfloor heating – symbolised by pictograms – save time during commissioning.

The energy efficiency was improved once more and the power consumption is thus even lower and is shown alternating with the flow. And thanks to the more compact construction, pump replacement is now even easier.



**Recommended services**



**Wilo-Live Assistant**



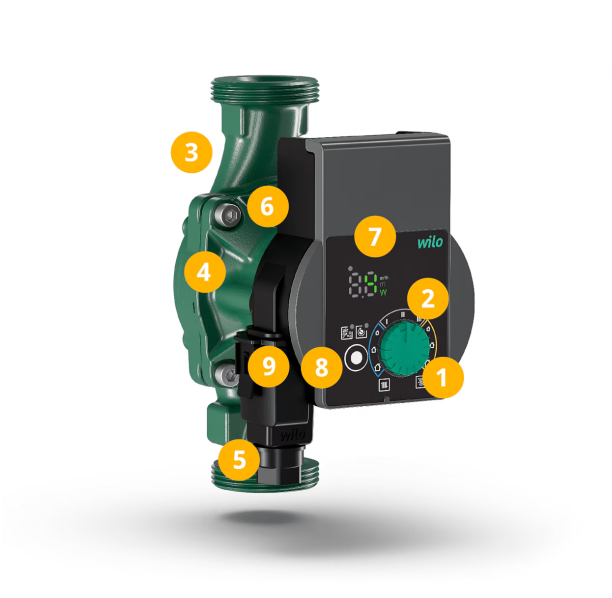
**System Optimisation**



**Energy Solutions**

**Your advantages**

- > Maximum operating convenience owing to the Green Button Technology with new, intelligent settings, intuitive user interface and new functions
- > Optimised energy efficiency owing to EC motor technology, settings with an accuracy of 0.1 m and display of current power consumption
- > Quick and easy installation and smooth exchange owing to the new, optimised construction
- > Easy maintenance and high degree of operational reliability due to automatically and manually triggered restart or pump venting function
- > Maximum operational reliability owing to proven technology



### Product features

- 1 Green Button Technology
- 2 Intuitive user interface assisted by standard symbols
- 3 Compact, standardised design
- 4 EC motor technology
- 5 Direct access to the Wilo-Connector
- 6 Direct access to motor screws
- 7 Display of fault messages
- 8 Manual restart function
- 9 Venting routine

### Design

Glandless circulator with screwed connection, blocking-current proof EC motor and integrated electronic power control.

### Application

All hot-water heating systems, air-conditioning applications, industrial circulation systems.

### Equipment/function

#### Operating modes

- > Constant differential pressure
- > Variable differential pressure
- > Constant speed (3 control pump curves)

#### Manual functions

- > Setting the operating mode in accordance with the application
- > Setting of pump output (delivery head)
- > Setting the constant speed
- > Pump venting function
- > Manual restart

#### Automatic functions

- > Infinitely variable power adjustment according to the operating mode
- > Automatic restart

### Signal and display functions

- > Display of power consumption in W
- > Display of delivery head for setting
- > Indication of fault signals (error codes)
- > Display of manually activated restart or pump venting function

### Equipment

- > Wrench attachment point on pump body
- > Quick electrical connection with Wilo-Connector
- > Pump venting function
- > Manual restart
- > Blocking-current proof motor
- > Particle filter

### Typekey

Example:	<b>Wilo-Yonos PICO 30/1-4</b>
<b>Yonos</b>	High-efficiency pump (screw-end pump), electronically controlled
<b>PICO</b>	Nominal connection diameter
<b>30/</b>	Nominal delivery head range [m]
<b>1-4</b>	Port-to-port length
<b>130</b>	

### Technical data

- > Fluid temperature -10 °C to +95 °C
- > Mains connection 1~230 V, 50 Hz
- > Protection class IPX4D
- > Screwed connection G1, G1½, G2
- > Max. operating pressure 10 bar

### Materials

- > Pump housing: Grey cast iron (EN-GJL-200)
- > Impeller: Plastic (PP - 40% GF)
- > Pump shaft: Stainless steel
- > Bearing: carbon, metal impregnated

### Scope of delivery

- > Pump
- > Wilo-Connector
- > Gaskets
- > Installation and operating instructions

### Options

- > Yonos PICO ...-130 version with short port-to-port length of 130 mm

### Accessories

- > Screwed connections
- > Adapter fittings
- > Thermal insulation



## Data sheet

### Hydraulic data

Maximum operating pressure $P_N$	10 bar
Head max $H_{max}$	4.3 m
Flow max $Q_{max}$	2.7 m <sup>3</sup> /h
Minimum suction head at 50 °C $m$	0.5 m
Minimum suction head at 95 °C $m$	3 m
Minimum suction head at 110 °C	10 m
Min. fluid temperature $T_{min}$	-10 °C
Max. fluid temperature $T_{max}$	95 °C
Max. fluid temperature at max. ambient temperature of +25 °C $T_{max}$	95 °C
Max. fluid temperature at max. ambient temperature of +40 °C $T_{max}$	95 °C
Min. ambient temperature $T_{min}$	-10 °C
Max. ambient temperature $T_{max}$	40 °C

### Motor data

Energy efficiency index (EEI)	≤0.18
Mains connection	1~230 V ±10%, 50/60 Hz
Rated power $P_2$	15 W
Min. speed $n_{min}$	700 1/min
Max. speed $n_{max}$	3400 1/min
Power consumption $P_{1 min}$	4 W
Power consumption $P_{1 max}$	20 W
Emitted interference	EN 61000-6-3
Interference resistance	EN 61000-6-2
Electromagnetic compatibility	EN 61800-3
Threaded cable connection	1 x PG11
Insulation class	F
Protection class	IPX4D

### Materials

Pump housing	Grey cast iron
Impeller	PP-GF40
Shaft	Stainless steel
Bearing	Carbon, metal-impregnated

### Installation dimensions

Pipe connection on the discharge side $DNd$	G 1
Pipe connection on the suction side $DNs$	G 1
Port-to-port length $L0$	130 mm

## Equipment/function

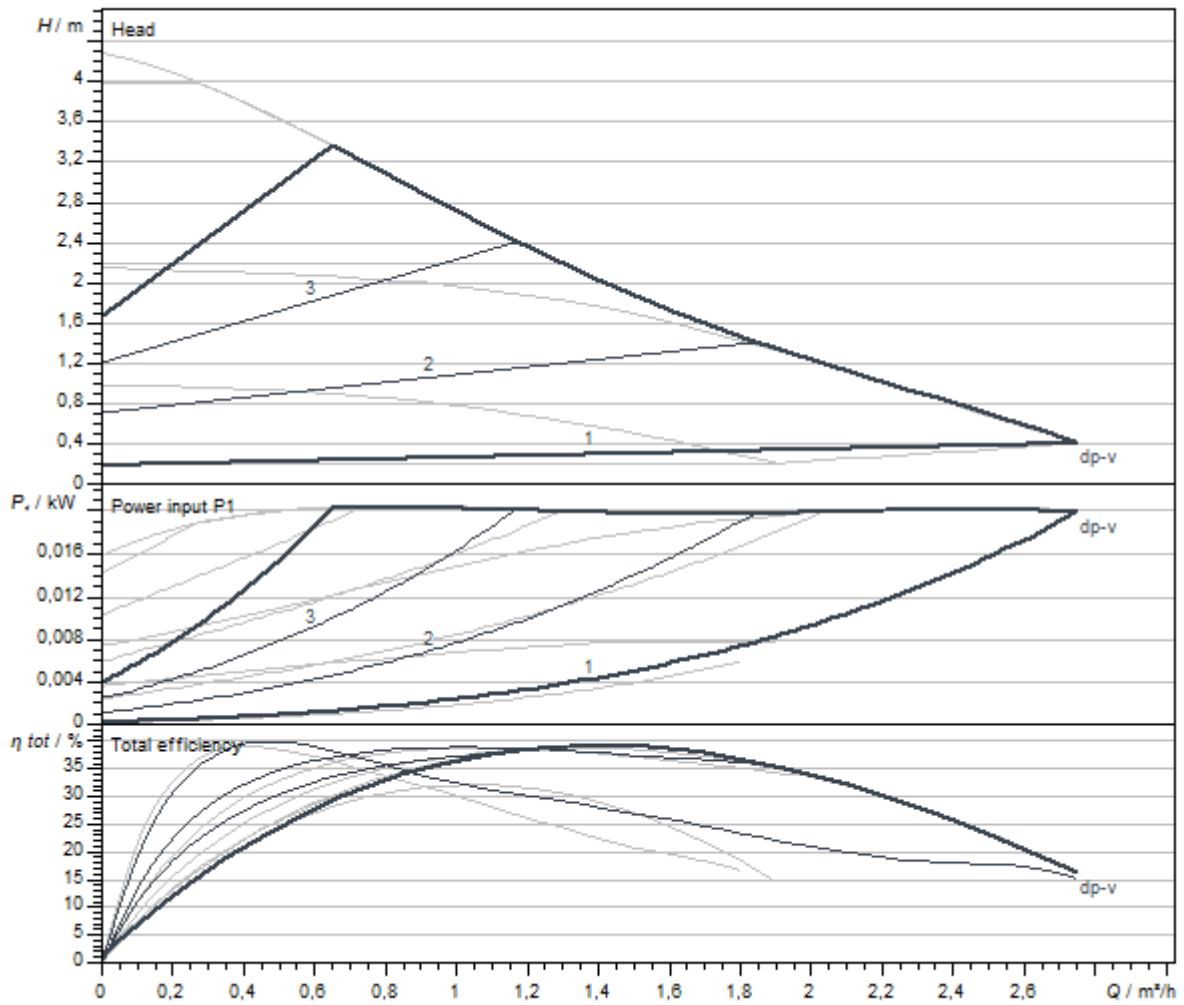
### Function

Control mode	$\Delta p$ -v for variable differential pressure
	$\Delta p$ -c for constant differential pressure
	Constant speed (3 speed stages)
Display	Setpoint
	Actual volume flow
	Actual power consumption
	Fault signals (error codes)
Pump venting function	Manually activated restart or pump venting function
	Manual

### Equipment

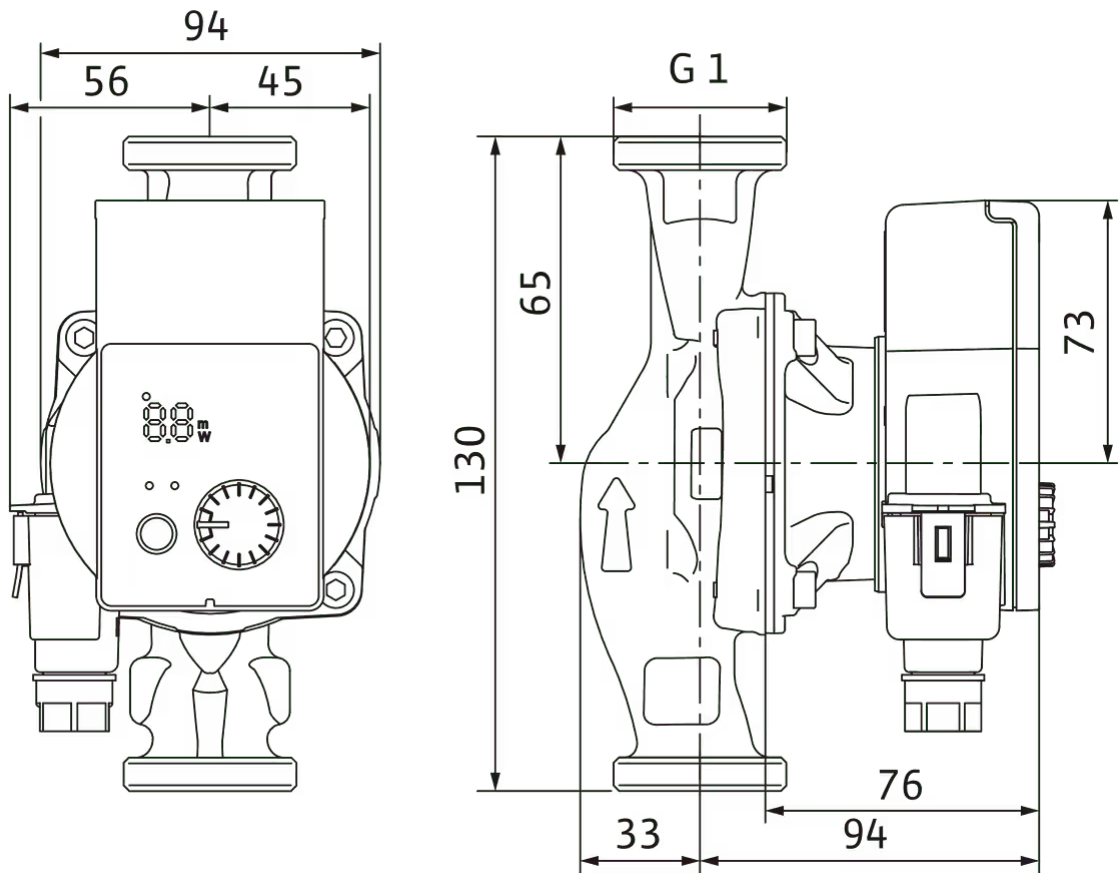
Approvals and labels	CE
	VDE
	EAC
Display	LED segment display
Display information	Basic Version: LED display (small) for showing the set head or speed stage.
Pump control	Electronic-controlled pump
Quick electrical connection	Wilo Connector
Thermal insulation shell	As accessory
Blocking-current proof motor	yes
Particle filter	yes
Operating elements	Green button

Pump curves



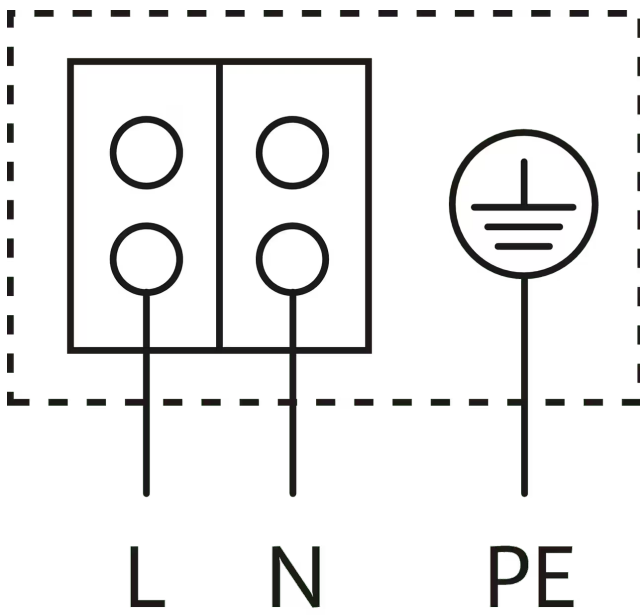
Dimensions and dimensions drawings

Wilo-Yonos PICO 15/1-4 PN 6





Wiring diagram



Blocking current-proof motor

Single-phase motor (EM) 2-pole - 1~230 V, 50 Hz

## Tender text

High-efficiency pump Wilo-Yonos PICO, electronically controlled. Maintenance-free glandless circulator with screwed connection, blocking-current proof synchronous motor according to ECM technology and built-in electronic power control for variable differential pressure control. Can be used for all heating and air-conditioning applications. Control mode can be selected in accordance with the radiator/underfloor heating application.

Standard-equipped with:

- > Preselectable control modes for optimum load adjustment: Differential pressure constant ( $\Delta p$ -c), differential pressure variable ( $\Delta p$ -v), constant speed (3 pump curves)
- > Integrated motor protection

- > LED for setting the setpoint, displaying the current consumption in watts and the flow rate in  $\text{m}^3/\text{h}$
- > Automatic deblocking function
- > Manual pump venting function for venting the rotor chamber
- > Manual restart

## Operating Data

Min. fluid temperature $T_{\min}$	-10 °C
Max. fluid temperature $T_{\max}$	95 °C
Min. ambient temperature $T_{\min}$	-10 °C
Max. ambient temperature $T_{\max}$	40 °C
Maximum operating pressure $PN$	10 bar
Minimum suction head at 50 °C $m$	0.5 m
Minimum suction head at 95 °C $m$	3 m
Minimum suction head at 110 °C	10 m

## Motor data

Energy efficiency index (EEI)	$\leq 0.18$
Emitted interference	EN 61000-6-3
Interference resistance	EN 61000-6-2
Mains connection	1~230 V, 50/60 Hz
Power consumption $P_{1 \max}$	20 W
Min. speed $n_{\min}$	700 1/min
Max. speed $n_{\max}$	3400 1/min
Protection class motor	IPX4D
Threaded cable connection	1 x PG11


## Materials

Pump housing	Grey cast iron
Impeller	PP-GF40
Shaft	Stainless steel
Bearing	Carbon, metal-impregnated

## Installation dimensions

Pipe connection on the suction side $DNs$	G 1
Pipe connection on the discharge side $DNd$	G 1
Port-to-port length $L0$	130 mm

## Ordering information

Brand	Wilo
Product description	Yonos PICO 15/1-4
Net weight, approx. $m$	1.6 kg
Article number	<b>4215511</b> 

## Mechanical accessories

### Pipe installation

---

#### Screwed connections/adapters

Screwed connection Rp ½ x G 1, 1 Set	4090808
--------------------------------------	---------

---

### Thermal insulation

---

#### Thermal insulation shell

Thermal insulation shell	4206066
--------------------------	---------

---

## Electrical accessories

### Pump control

---

#### Timer switch SK 601N

Switchgear SK 601N	2120443
--------------------	---------

---

### Plug

---

#### Angle plug

Angle plug	4150229
------------	---------

---

#### Connector

Wilo-Connector	4200870
----------------	---------

---

## Services

With Wilo as your partner, you can not only be sure of choosing high-quality product solutions, but also of benefiting from a comprehensive, worry-free package of well thought-out services. We collaborate to develop a service concept tailored to your individual needs; with our expertise and personal consultancy, we make sure that the operation of your systems is as energy-efficient, reliable and economical as possible. All the while our competent Wilo service technicians are ready to assist you with fast, reliable and on-time support.

### Recommended services

---

Wilo-Live Assistant Service	2216415
-----------------------------	---------

---

System Optimisation Glandless pumps	2219250
-------------------------------------	---------

---

Energy Solutions Glandless pumps	2219285
----------------------------------	---------

### More suitable services

---

Extended Warranty Glandless pumps	2219589
-----------------------------------	---------

---

Supervision Glandless pumps	2219320
-----------------------------	---------

---

Installation Glandless pumps	2219355
------------------------------	---------

---

Commissioning Glandless pumps	2219390
-------------------------------	---------

---

Maintenance BASIC Glandless pumps	2219530
-----------------------------------	---------

Maintenance COMFORT Glandless pumps	2219416
-------------------------------------	---------

Maintenance PREMIUM Glandless pumps	2219545
-------------------------------------	---------

---

Repair Glandless pumps	2219609
------------------------	---------



## Data sheet

### Hydraulic data

Maximum operating pressure $P_N$	10 bar
Head max $H_{max}$	6.0 m
Flow max $Q_{max}$	3.6 m <sup>3</sup> /h
Minimum suction head at 50 °C $m$	0.5 m
Minimum suction head at 95 °C $m$	3 m
Minimum suction head at 110 °C	10 m
Min. fluid temperature $T_{min}$	-10 °C
Max. fluid temperature $T_{max}$	95 °C
Max. fluid temperature at max. ambient temperature of +25 °C $T_{max}$	95 °C
Max. fluid temperature at max. ambient temperature of +40 °C $T_{max}$	95 °C
Min. ambient temperature $T_{min}$	-10 °C
Max. ambient temperature $T_{max}$	40 °C

### Motor data

Energy efficiency index (EEI)	≤0.20
Mains connection	1~230 V ±10%, 50/60 Hz
Rated power $P_2$	30 W
Min. speed $n_{min}$	700 1/min
Max. speed $n_{max}$	4200 1/min
Power consumption $P_{1 min}$	4 W
Power consumption $P_{1 max}$	40 W
Emitted interference	EN 61000-6-3
Interference resistance	EN 61000-6-2
Electromagnetic compatibility	EN 61800-3
Threaded cable connection	1 x PG11
Insulation class	F
Protection class	IPX4D

### Materials

Pump housing	Grey cast iron
Impeller	PP-GF40
Shaft	Stainless steel
Bearing	Carbon, metal-impregnated

### Installation dimensions

Pipe connection on the discharge side $DNd$	G 1
Pipe connection on the suction side $DN_s$	G 1
Port-to-port length $L0$	130 mm

## Equipment/function

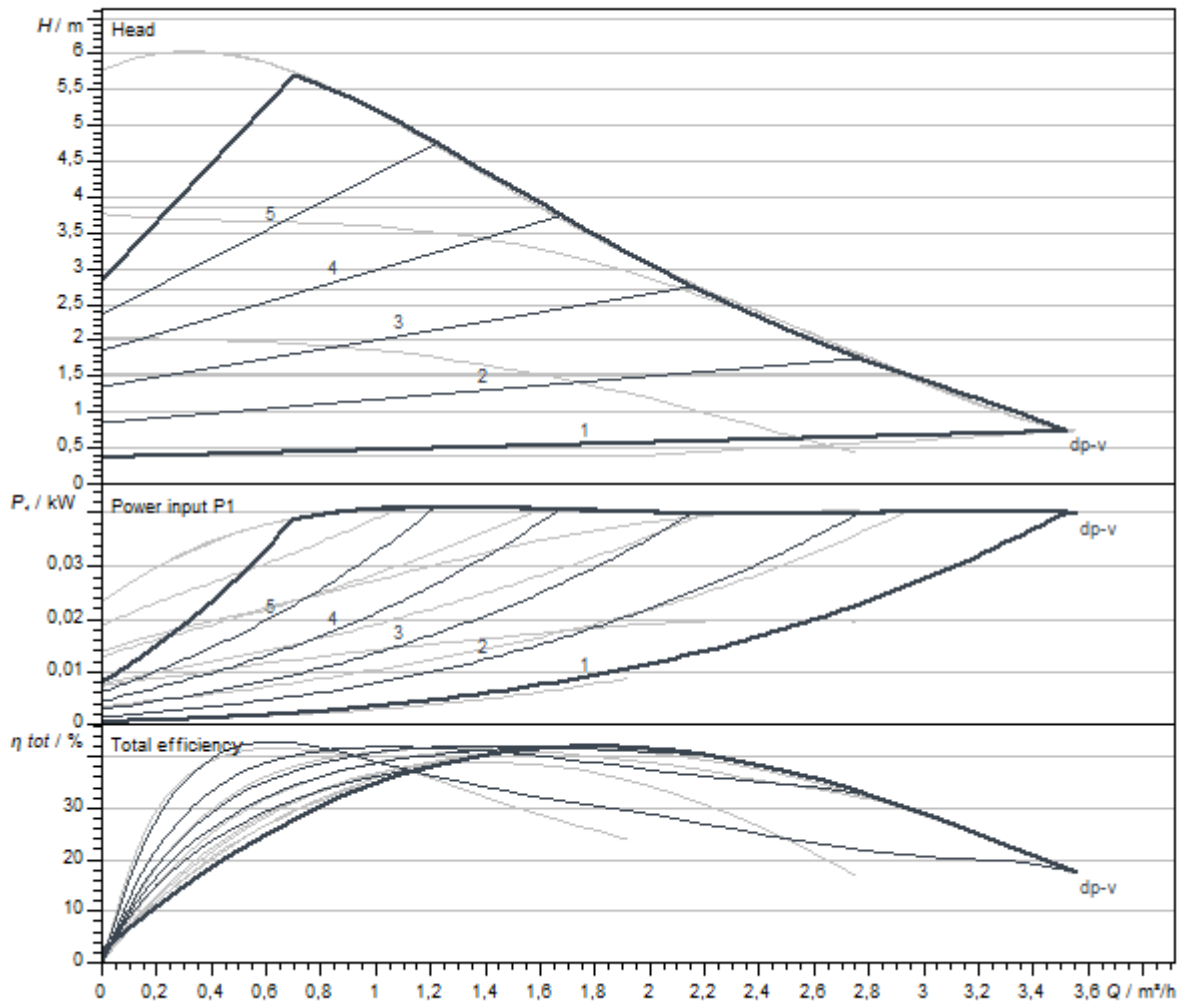
### Function

Control mode	$\Delta p$ -v for variable differential pressure
	$\Delta p$ -c for constant differential pressure
	Constant speed (3 speed stages)
Display	Setpoint
	Actual volume flow
	Actual power consumption
	Fault signals (error codes)
Pump venting function	Manually activated restart or pump venting function
	Manual

### Equipment

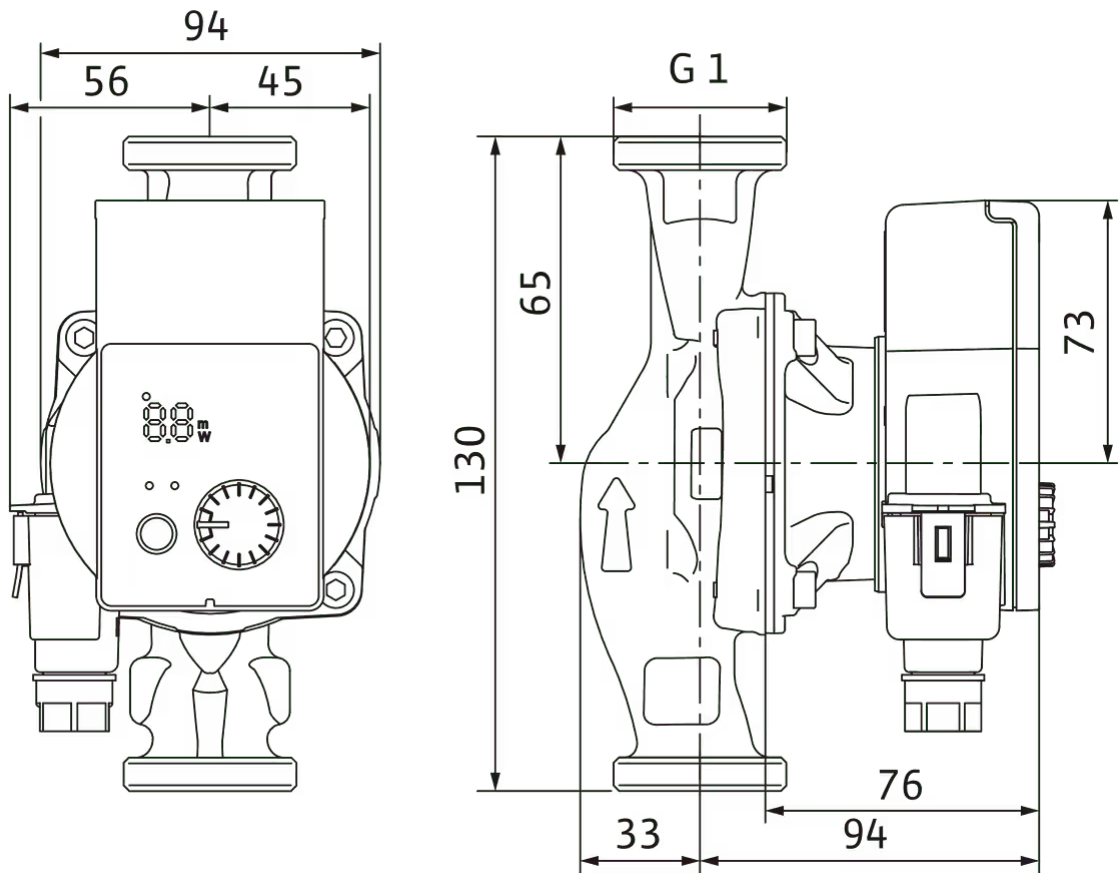
Approvals and labels	CE
	VDE
	EAC
Display	LED segment display
Display information	Basic Version: LED display (small) for showing the set head or speed stage.
Pump control	Electronic-controlled pump
Quick electrical connection	Wilo Connector
Thermal insulation shell	As accessory
Blocking-current proof motor	yes
Particle filter	yes
Operating elements	Green button

Pump curves



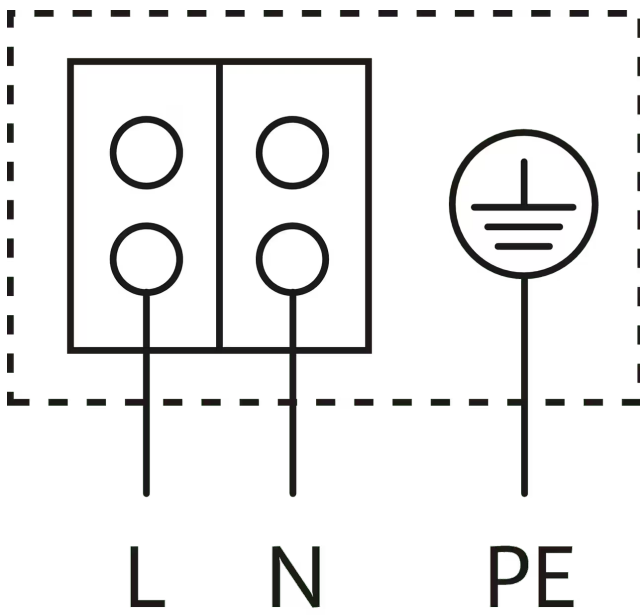
Dimensions and dimensions drawings

Wilo-Yonos PICO 15/1-6 PN 6





Wiring diagram



Blocking current-proof motor

Single-phase motor (EM) 2-pole - 1~230 V, 50 Hz

## Tender text

High-efficiency pump Wilo-Yonos PICO, electronically controlled. Maintenance-free glandless circulator with screwed connection, blocking-current proof synchronous motor according to ECM technology and built-in electronic power control for variable differential pressure control. Can be used for all heating and air-conditioning applications. Control mode can be selected in accordance with the radiator/underfloor heating application.

Standard-equipped with:

- > Preselectable control modes for optimum load adjustment: Differential pressure constant ( $\Delta p$ -c), differential pressure variable ( $\Delta p$ -v), constant speed (3 pump curves)
- > Integrated motor protection

- > LED for setting the setpoint, displaying the current consumption in watts and the flow rate in  $m^3/h$
- > Automatic deblocking function
- > Manual pump venting function for venting the rotor chamber
- > Manual restart

## Operating Data

Min. fluid temperature $T_{min}$	-10 °C
Max. fluid temperature $T_{max}$	95 °C
Min. ambient temperature $T_{min}$	-10 °C
Max. ambient temperature $T_{max}$	40 °C
Maximum operating pressure $PN$	10 bar
Minimum suction head at 50 °C $m$	0.5 m
Minimum suction head at 95 °C $m$	3 m
Minimum suction head at 110 °C	10 m

## Motor data

Energy efficiency index (EEI)	$\leq 0.20$
Emitted interference	EN 61000-6-3
Interference resistance	EN 61000-6-2
Mains connection	1~230 V, 50/60 Hz
Power consumption $P_{1\ max}$	40 W
Min. speed $n_{min}$	700 1/min
Max. speed $n_{max}$	4200 1/min
Protection class motor	IPX4D
Threaded cable connection	1 x PG11


## Materials

Pump housing	Grey cast iron
Impeller	PP-GF40
Shaft	Stainless steel
Bearing	Carbon, metal-impregnated

## Installation dimensions

Pipe connection on the suction side $DNs$	G 1
Pipe connection on the discharge side $DNd$	G 1
Port-to-port length $L0$	130 mm

## Ordering information

Brand	Wilo
Product description	Yonos PICO 15/1-6
Net weight, approx. $m$	1.6 kg
Article number	<b>4215512</b> 

## Mechanical accessories

### Pipe installation

---

#### Screwed connections/adapters

Screwed connection Rp ½ x G 1, 1 Set	4090808
--------------------------------------	---------

---

### Thermal insulation

---

#### Thermal insulation shell

Thermal insulation shell	4206066
--------------------------	---------

---

## Electrical accessories

### Pump control

---

#### Timer switch SK 601N

Switchgear SK 601N	2120443
--------------------	---------

---

### Plug

---

#### Angle plug

Angle plug	4150229
------------	---------

---

#### Connector

Wilo-Connector	4200870
----------------	---------

---

## Services

With Wilo as your partner, you can not only be sure of choosing high-quality product solutions, but also of benefiting from a comprehensive, worry-free package of well thought-out services. We collaborate to develop a service concept tailored to your individual needs; with our expertise and personal consultancy, we make sure that the operation of your systems is as energy-efficient, reliable and economical as possible. All the while our competent Wilo service technicians are ready to assist you with fast, reliable and on-time support.

### Recommended services

---

Wilo-Live Assistant Service	2216415
-----------------------------	---------

---

System Optimisation Glandless pumps	2219250
-------------------------------------	---------

---

Energy Solutions Glandless pumps	2219285
----------------------------------	---------

### More suitable services

---

Extended Warranty Glandless pumps	2219589
-----------------------------------	---------

---

Supervision Glandless pumps	2219320
-----------------------------	---------

---

Installation Glandless pumps	2219355
------------------------------	---------

---

Commissioning Glandless pumps	2219390
-------------------------------	---------

---

Maintenance BASIC Glandless pumps	2219530
-----------------------------------	---------

Maintenance COMFORT Glandless pumps	2219416
-------------------------------------	---------

Maintenance PREMIUM Glandless pumps	2219545
-------------------------------------	---------

---

Repair Glandless pumps	2219609
------------------------	---------



## Data sheet

### Hydraulic data

Maximum operating pressure $P_N$	10 bar
Head max $H_{max}$	4.3 m
Flow max $Q_{max}$	2.7 m <sup>3</sup> /h
Minimum suction head at 50 °C $m$	0.5 m
Minimum suction head at 95 °C $m$	3 m
Minimum suction head at 110 °C	10 m
Min. fluid temperature $T_{min}$	-10 °C
Max. fluid temperature $T_{max}$	95 °C
Max. fluid temperature at max. ambient temperature of +25 °C $T_{max}$	95 °C
Max. fluid temperature at max. ambient temperature of +40 °C $T_{max}$	95 °C
Min. ambient temperature $T_{min}$	-10 °C
Max. ambient temperature $T_{max}$	40 °C

### Motor data

Energy efficiency index (EEI)	≤0.18
Mains connection	1~230 V ±10%, 50/60 Hz
Rated power $P_2$	15 W
Min. speed $n_{min}$	700 1/min
Max. speed $n_{max}$	3400 1/min
Power consumption $P_{1 min}$	4 W
Power consumption $P_{1 max}$	20 W
Emitted interference	EN 61000-6-3
Interference resistance	EN 61000-6-2
Electromagnetic compatibility	EN 61800-3
Threaded cable connection	1 x PG11
Insulation class	F
Protection class	IPX4D

### Materials

Pump housing	Grey cast iron
Impeller	PP-GF40
Shaft	Stainless steel
Bearing	Carbon, metal-impregnated

### Installation dimensions

Pipe connection on the discharge side $DNd$	G 1½
Pipe connection on the suction side $DNs$	G 1½
Port-to-port length $L0$	180 mm

## Equipment/function

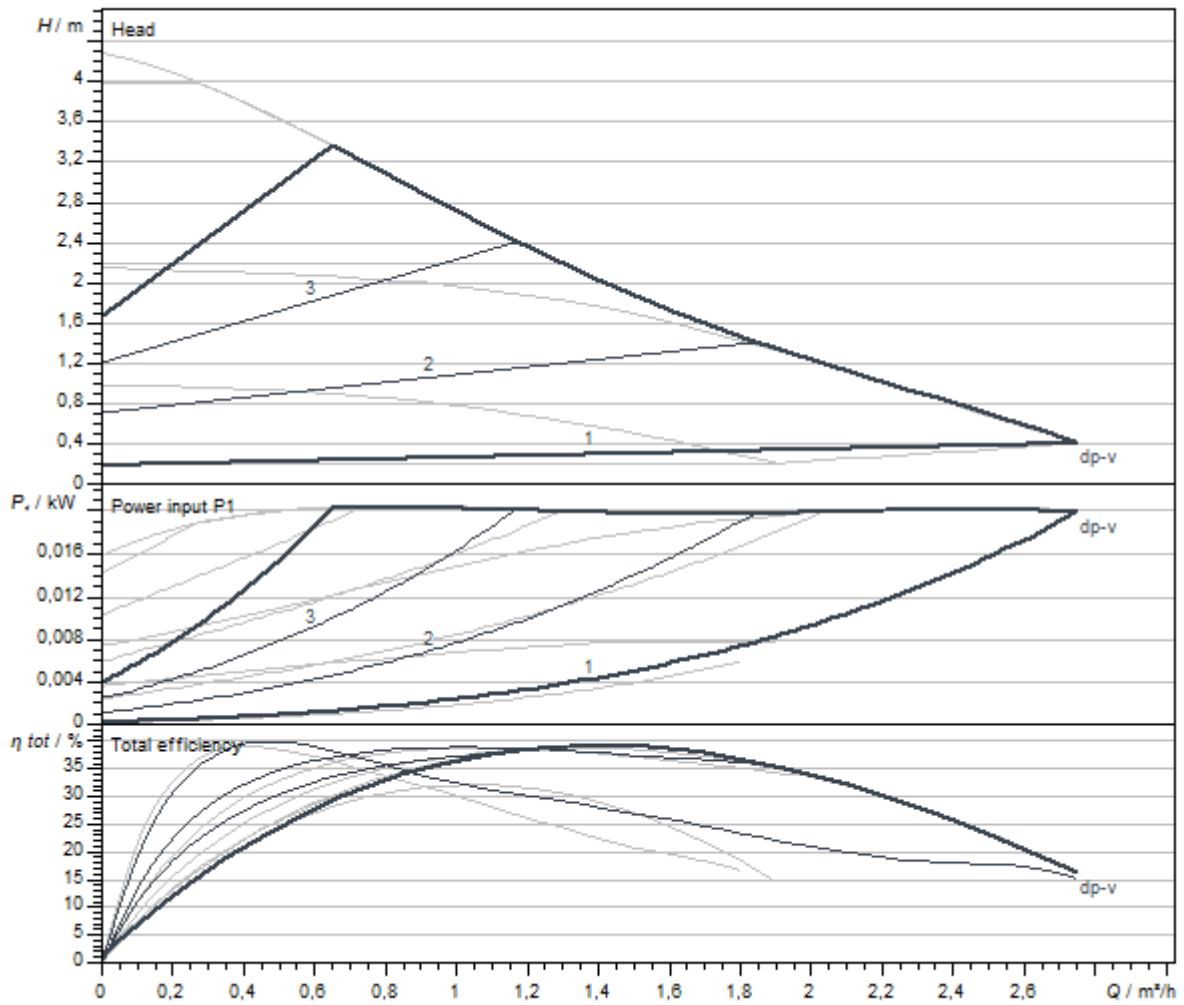
### Function

Control mode	$\Delta p$ -v for variable differential pressure
	$\Delta p$ -c for constant differential pressure
	Constant speed (3 speed stages)
Display	Setpoint
	Actual volume flow
	Actual power consumption
	Fault signals (error codes)
Pump venting function	Manually activated restart or pump venting function
	Manual

### Equipment

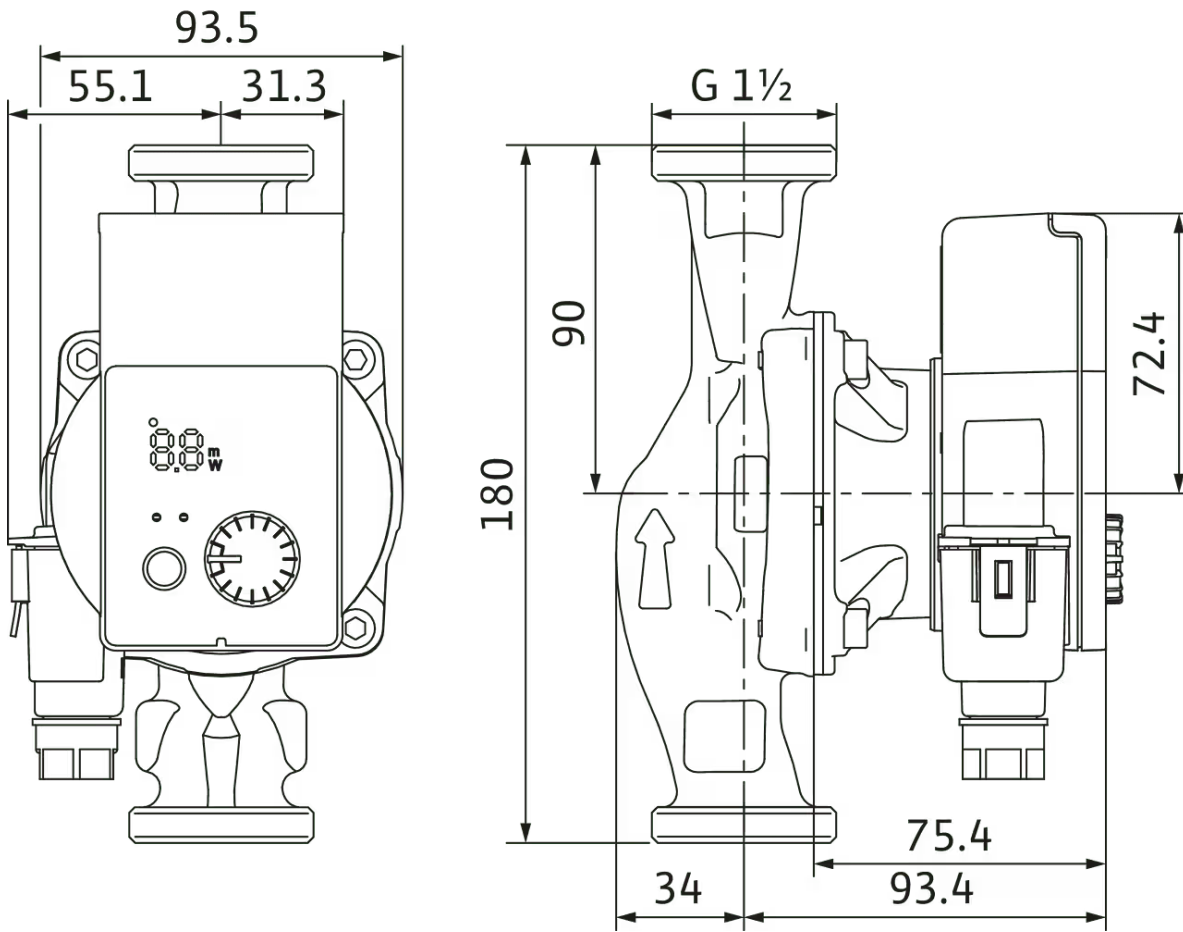
Approvals and labels	CE
	VDE
	EAC
Display	LED segment display
Display information	Basic Version: LED display (small) for showing the set head or speed stage.
Pump control	Electronic-controlled pump
Quick electrical connection	Wilo Connector
Thermal insulation shell	As accessory
Blocking-current proof motor	yes
Particle filter	yes
Operating elements	Green button

Pump curves



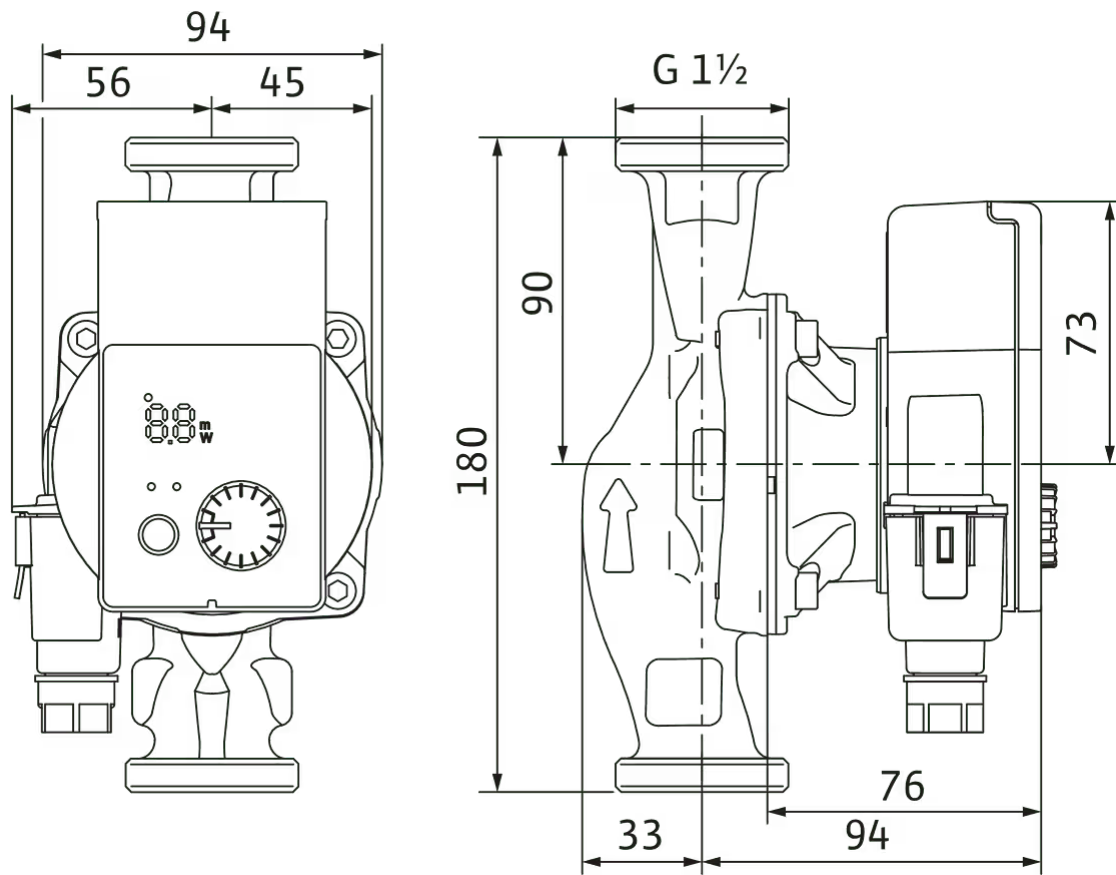
Dimensions and dimensions drawings

4215513\_ConGraph\_yonos\_pico\_row\_180\_dim\_01\_1708

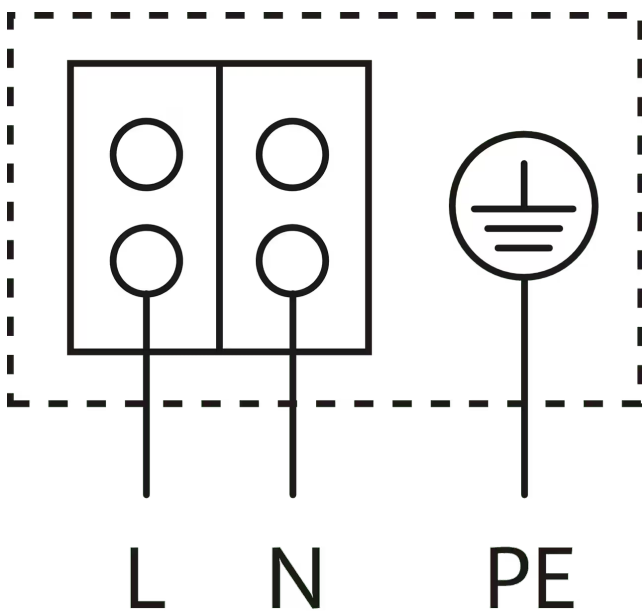




Wilo-Yonos PICO 25/1-4 PN 10



Wiring diagram



Blocking current-proof motor

Single-phase motor (EM) 2-pole - 1~230 V, 50 Hz

## Tender text

High-efficiency pump Wilo-Yonos PICO, electronically controlled. Maintenance-free glandless circulator with screwed connection, blocking-current proof synchronous motor according to ECM technology and built-in electronic power control for variable differential pressure control. Can be used for all heating and air-conditioning applications. Control mode can be selected in accordance with the radiator/underfloor heating application.

Standard-equipped with:

- > Preselectable control modes for optimum load adjustment: Differential pressure constant ( $\Delta p$ -c), differential pressure variable ( $\Delta p$ -v), constant speed (3 pump curves)
- > Integrated motor protection

- > LED for setting the setpoint, displaying the current consumption in watts and the flow rate in  $m^3/h$
- > Automatic deblocking function
- > Manual pump venting function for venting the rotor chamber
- > Manual restart

## Operating Data

Min. fluid temperature $T_{min}$	-10 °C
Max. fluid temperature $T_{max}$	95 °C
Min. ambient temperature $T_{min}$	-10 °C
Max. ambient temperature $T_{max}$	40 °C
Maximum operating pressure $PN$	10 bar
Minimum suction head at 50 °C $m$	0.5 m
Minimum suction head at 95 °C $m$	3 m
Minimum suction head at 110 °C	10 m

## Motor data

Energy efficiency index (EEI)	$\leq 0.18$
Emitted interference	EN 61000-6-3
Interference resistance	EN 61000-6-2
Mains connection	1~230 V, 50/60 Hz
Power consumption $P_{1\ max}$	20 W
Min. speed $n_{min}$	700 1/min
Max. speed $n_{max}$	3400 1/min
Protection class motor	IPX4D
Threaded cable connection	1 x PG11


## Materials

Pump housing	Grey cast iron
Impeller	PP-GF40
Shaft	Stainless steel
Bearing	Carbon, metal-impregnated

## Installation dimensions

Pipe connection on the suction side $DNs$	G 1½
Pipe connection on the discharge side $DNd$	G 1½
Port-to-port length $L0$	180 mm

## Ordering information

Brand	Wilo
Product description	Yonos PICO 25/1-4
Net weight, approx. $m$	1.8 kg
Article number	<b>4215513</b> 

## Mechanical accessories

### Pipe installation

#### Screwed connections/adapters

Screwed connection Rp 1 x G 1½, 72 Set	112047298
Screwed connection Rp 1 x G 1½, 1 Set	4092741
Adapter G 1½/G 2	4105914

### Pipe installation, adapter fitting

#### Flanged rings RF

Flanged ring RF 7, PN6	110628790
Flanged ring RF 9, PN6	110679395
Flanged ring RF 13, PN6	110679498
Flanged ring RF 10, PN6	110851499

#### Threaded adapter R

Threaded adapter R 2, GG	110626790
Threaded adapter R 6, GG	110678493
Threaded adapter R 1, GG	110786891
Threaded adapter R 7, GG	110787094
Threaded adapter R 24, GG	110880596

### Thermal insulation

#### Thermal insulation shell

Thermal insulation shell	4206066
--------------------------	---------

## Electrical accessories

### Pump control

---

#### Timer switch SK 601N

Switchgear SK 601N	2120443
--------------------	---------

---

### Plug

---

#### Angle plug

Angle plug	4150229
------------	---------

---

#### Connector

Wilo-Connector	4200870
----------------	---------

## Services

With Wilo as your partner, you can not only be sure of choosing high-quality product solutions, but also of benefiting from a comprehensive, worry-free package of well thought-out services. We collaborate to develop a service concept tailored to your individual needs; with our expertise and personal consultancy, we make sure that the operation of your systems is as energy-efficient, reliable and economical as possible. All the while our competent Wilo service technicians are ready to assist you with fast, reliable and on-time support.

### Recommended services

---

Wilo-Live Assistant Service	2216415
-----------------------------	---------

---

System Optimisation Glandless pumps	2219250
-------------------------------------	---------

---

Energy Solutions Glandless pumps	2219285
----------------------------------	---------

### More suitable services

---

Extended Warranty Glandless pumps	2219589
-----------------------------------	---------

---

Supervision Glandless pumps	2219320
-----------------------------	---------

---

Installation Glandless pumps	2219355
------------------------------	---------

---

Commissioning Glandless pumps	2219390
-------------------------------	---------

---

Maintenance BASIC Glandless pumps	2219530
-----------------------------------	---------

Maintenance COMFORT Glandless pumps	2219416
-------------------------------------	---------

Maintenance PREMIUM Glandless pumps	2219545
-------------------------------------	---------

---

Repair Glandless pumps	2219609
------------------------	---------



## Data sheet

### Hydraulic data

Maximum operating pressure $P_N$	10 bar
Head max $H_{max}$	4.3 m
Flow max $Q_{max}$	2.7 m <sup>3</sup> /h
Minimum suction head at 50 °C $m$	0.5 m
Minimum suction head at 95 °C $m$	3 m
Minimum suction head at 110 °C	10 m
Min. fluid temperature $T_{min}$	-10 °C
Max. fluid temperature $T_{max}$	95 °C
Max. fluid temperature at max. ambient temperature of +25 °C $T_{max}$	95 °C
Max. fluid temperature at max. ambient temperature of +40 °C $T_{max}$	95 °C
Min. ambient temperature $T_{min}$	-10 °C
Max. ambient temperature $T_{max}$	40 °C

### Motor data

Energy efficiency index (EEI)	≤0.18
Mains connection	1~230 V ±10%, 50/60 Hz
Rated power $P_2$	15 W
Min. speed $n_{min}$	700 1/min
Max. speed $n_{max}$	3400 1/min
Power consumption $P_{1 min}$	4 W
Power consumption $P_{1 max}$	20 W
Emitted interference	EN 61000-6-3
Interference resistance	EN 61000-6-2
Electromagnetic compatibility	EN 61800-3
Threaded cable connection	1 x PG11
Insulation class	F
Protection class	IPX4D

### Materials

Pump housing	Grey cast iron
Impeller	PP-GF40
Shaft	Stainless steel
Bearing	Carbon, metal-impregnated

### Installation dimensions

Pipe connection on the discharge side $DNd$	G 1½
Pipe connection on the suction side $DNs$	G 1½
Port-to-port length $L0$	130 mm

## Equipment/function

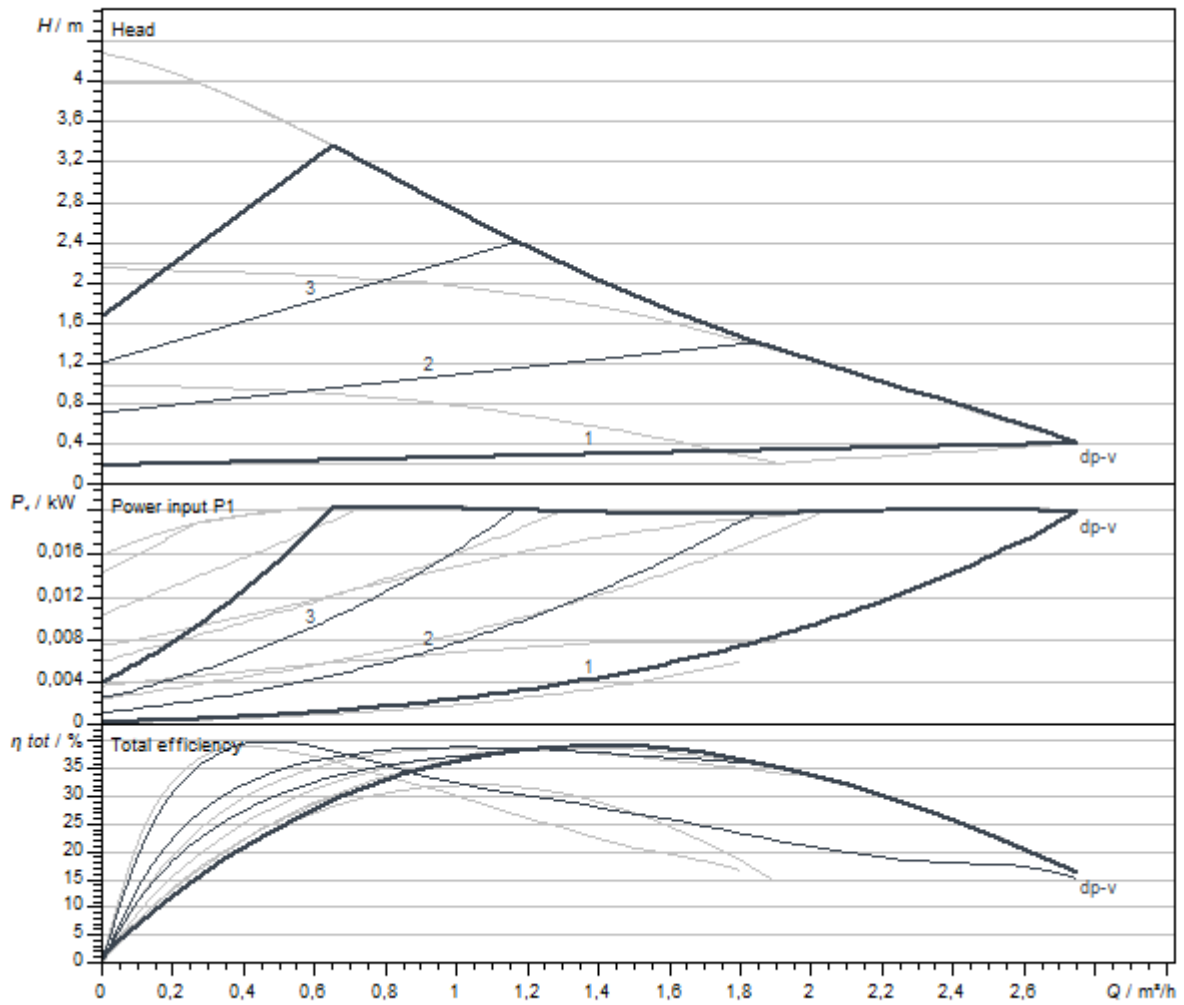
### Function

Control mode	$\Delta p$ -v for variable differential pressure
	$\Delta p$ -c for constant differential pressure
	Constant speed (3 speed stages)
Display	Setpoint
	Actual volume flow
	Actual power consumption
	Fault signals (error codes)
Pump venting function	Manually activated restart or pump venting function
	Manual

### Equipment

Approvals and labels	CE
	VDE
	EAC
Display	LED segment display
Display information	Basic Version: LED display (small) for showing the set head or speed stage.
Pump control	Electronic-controlled pump
Quick electrical connection	Wilo Connector
Thermal insulation shell	As accessory
Blocking-current proof motor	yes
Particle filter	yes
Operating elements	Green button

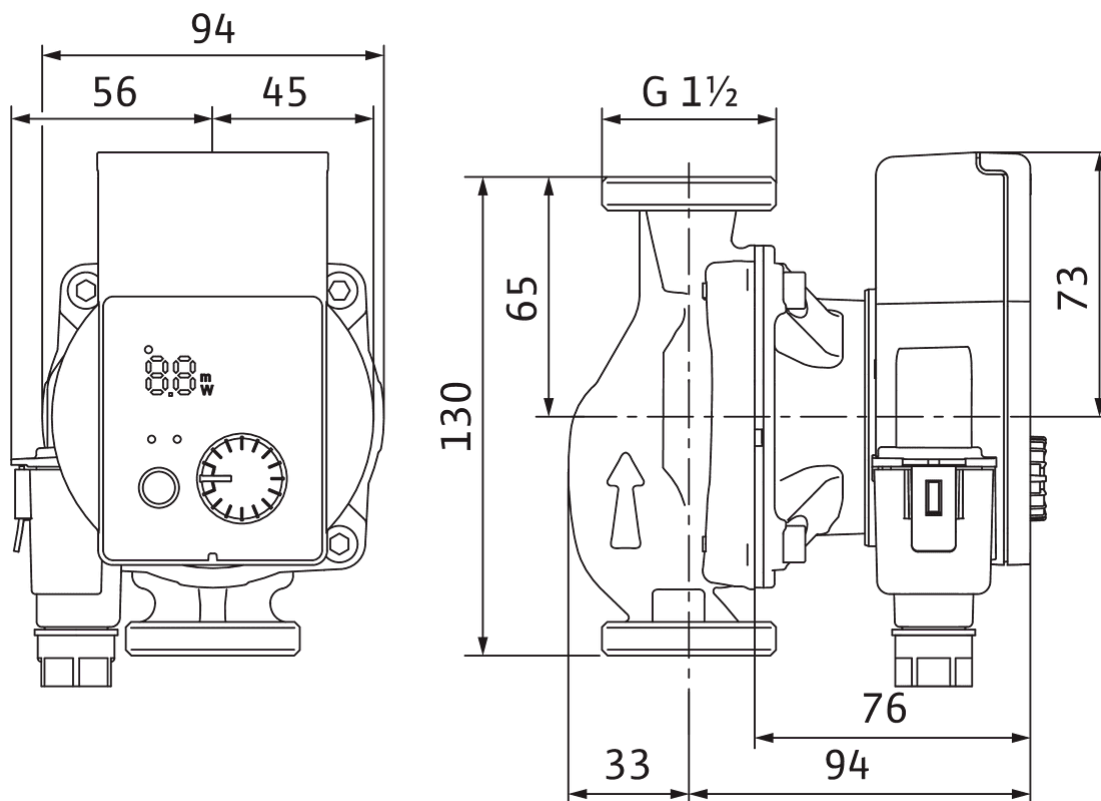
Pump curves



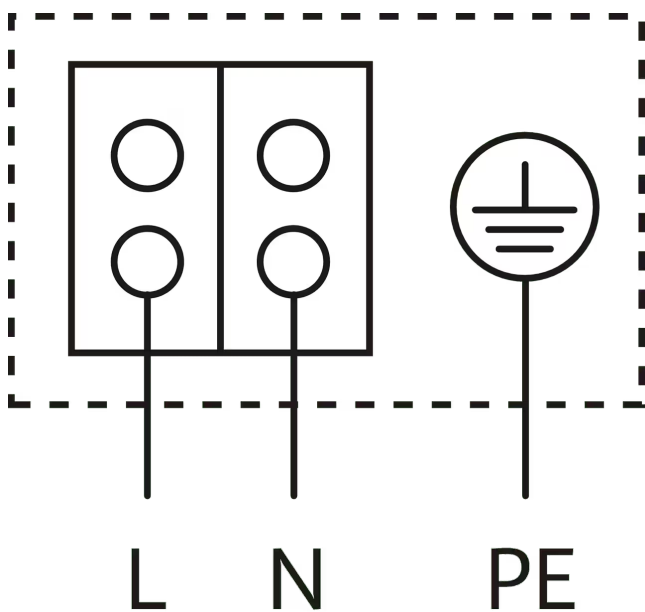


Dimensions and dimensions drawings

Wilo-Yonos PICO 25/1-4-130 PN 10



Wiring diagram



Blocking current-proof motor

Single-phase motor (EM) 2-pole - 1~230 V, 50 Hz

## Tender text

High-efficiency pump Wilo-Yonos PICO, electronically controlled. Maintenance-free glandless circulator with screwed connection, blocking-current proof synchronous motor according to ECM technology and built-in electronic power control for variable differential pressure control. Can be used for all heating and air-conditioning applications. Control mode can be selected in accordance with the radiator/underfloor heating application.

Standard-equipped with:

- > Preselectable control modes for optimum load adjustment: Differential pressure constant ( $\Delta p$ -c), differential pressure variable ( $\Delta p$ -v), constant speed (3 pump curves)
- > Integrated motor protection

- > LED for setting the setpoint, displaying the current consumption in watts and the flow rate in  $\text{m}^3/\text{h}$
- > Automatic deblocking function
- > Manual pump venting function for venting the rotor chamber
- > Manual restart

## Operating Data

Min. fluid temperature $T_{\min}$	-10 °C
Max. fluid temperature $T_{\max}$	95 °C
Min. ambient temperature $T_{\min}$	-10 °C
Max. ambient temperature $T_{\max}$	40 °C
Maximum operating pressure $PN$	10 bar
Minimum suction head at 50 °C $m$	0.5 m
Minimum suction head at 95 °C $m$	3 m
Minimum suction head at 110 °C	10 m

## Motor data

Energy efficiency index (EEI)	$\leq 0.18$
Emitted interference	EN 61000-6-3
Interference resistance	EN 61000-6-2
Mains connection	1~230 V, 50/60 Hz
Power consumption $P_{1 \max}$	20 W
Min. speed $n_{\min}$	700 1/min
Max. speed $n_{\max}$	3400 1/min
Protection class motor	IPX4D
Threaded cable connection	1 x PG11


## Materials

Pump housing	Grey cast iron
Impeller	PP-GF40
Shaft	Stainless steel
Bearing	Carbon, metal-impregnated

## Installation dimensions

Pipe connection on the suction side $DNs$	G 1½
Pipe connection on the discharge side $DNd$	G 1½
Port-to-port length $L0$	130 mm

## Ordering information

Brand	Wilo
Product description	Yonos PICO 25/1-4-130
Net weight, approx. $m$	1.7 kg
Article number	<b>4215514</b> 

## Mechanical accessories

### Pipe installation

#### Screwed connections/adapters

Screwed connection Rp 1 x G 1½, 72 Set	112047298
Screwed connection Rp 1 x G 1½, 1 Set	4092741
Adapter G 1½/G 2	4105914

### Pipe installation, adapter fitting

#### Flanged rings RF

Flanged ring RF 7, PN6	110628790
Flanged ring RF 9, PN6	110679395
Flanged ring RF 13, PN6	110679498
Flanged ring RF 10, PN6	110851499

#### Threaded adapter R

Threaded adapter R 2, GG	110626790
Threaded adapter R 6, GG	110678493
Threaded adapter R 1, GG	110786891
Threaded adapter R 7, GG	110787094
Threaded adapter R 24, GG	110880596

### Thermal insulation

#### Thermal insulation shell

Thermal insulation shell	4206066
--------------------------	---------

## Electrical accessories

### Pump control

---

#### Timer switch SK 601N

Switchgear SK 601N	2120443
--------------------	---------

---

### Plug

---

#### Angle plug

Angle plug	4150229
------------	---------

---

#### Connector

Wilo-Connector	4200870
----------------	---------

## Services

With Wilo as your partner, you can not only be sure of choosing high-quality product solutions, but also of benefiting from a comprehensive, worry-free package of well thought-out services. We collaborate to develop a service concept tailored to your individual needs; with our expertise and personal consultancy, we make sure that the operation of your systems is as energy-efficient, reliable and economical as possible. All the while our competent Wilo service technicians are ready to assist you with fast, reliable and on-time support.

### Recommended services

---

Wilo-Live Assistant Service	2216415
-----------------------------	---------

---

System Optimisation Glandless pumps	2219250
-------------------------------------	---------

---

Energy Solutions Glandless pumps	2219285
----------------------------------	---------

### More suitable services

---

Extended Warranty Glandless pumps	2219589
-----------------------------------	---------

---

Supervision Glandless pumps	2219320
-----------------------------	---------

---

Installation Glandless pumps	2219355
------------------------------	---------

---

Commissioning Glandless pumps	2219390
-------------------------------	---------

---

Maintenance BASIC Glandless pumps	2219530
-----------------------------------	---------

Maintenance COMFORT Glandless pumps	2219416
-------------------------------------	---------

Maintenance PREMIUM Glandless pumps	2219545
-------------------------------------	---------

---

Repair Glandless pumps	2219609
------------------------	---------



## Data sheet

### Hydraulic data

Maximum operating pressure $P_N$	10 bar
Head max $H_{max}$	5.1 m
Flow max $Q_{max}$	3.2 m <sup>3</sup> /h
Minimum suction head at 50 °C $m$	0.5 m
Minimum suction head at 95 °C $m$	3 m
Minimum suction head at 110 °C	10 m
Min. fluid temperature $T_{min}$	-10 °C
Max. fluid temperature $T_{max}$	95 °C
Max. fluid temperature at max. ambient temperature of +25 °C $T_{max}$	95 °C
Max. fluid temperature at max. ambient temperature of +40 °C $T_{max}$	95 °C
Min. ambient temperature $T_{min}$	-10 °C
Max. ambient temperature $T_{max}$	40 °C

### Motor data

Energy efficiency index (EEI)	≤0.20
Mains connection	1~230 V ±10%, 50/60 Hz
Rated power $P_2$	25 W
Min. speed $n_{min}$	800 1/min
Max. speed $n_{max}$	3800 1/min
Power consumption $P_{1 min}$	4 W
Power consumption $P_{1 max}$	33 W
Emitted interference	EN 61000-6-3
Interference resistance	EN 61000-6-2
Electromagnetic compatibility	EN 61800-3
Threaded cable connection	1 x PG11
Insulation class	F
Protection class	IPX4D

### Materials

Pump housing	Grey cast iron
Impeller	PP-GF40
Shaft	Stainless steel
Bearing	Carbon, metal-impregnated

### Installation dimensions

Pipe connection on the discharge side $DNd$	G 1½
Pipe connection on the suction side $DNs$	G 1½
Port-to-port length $L0$	130 mm

## Equipment/function

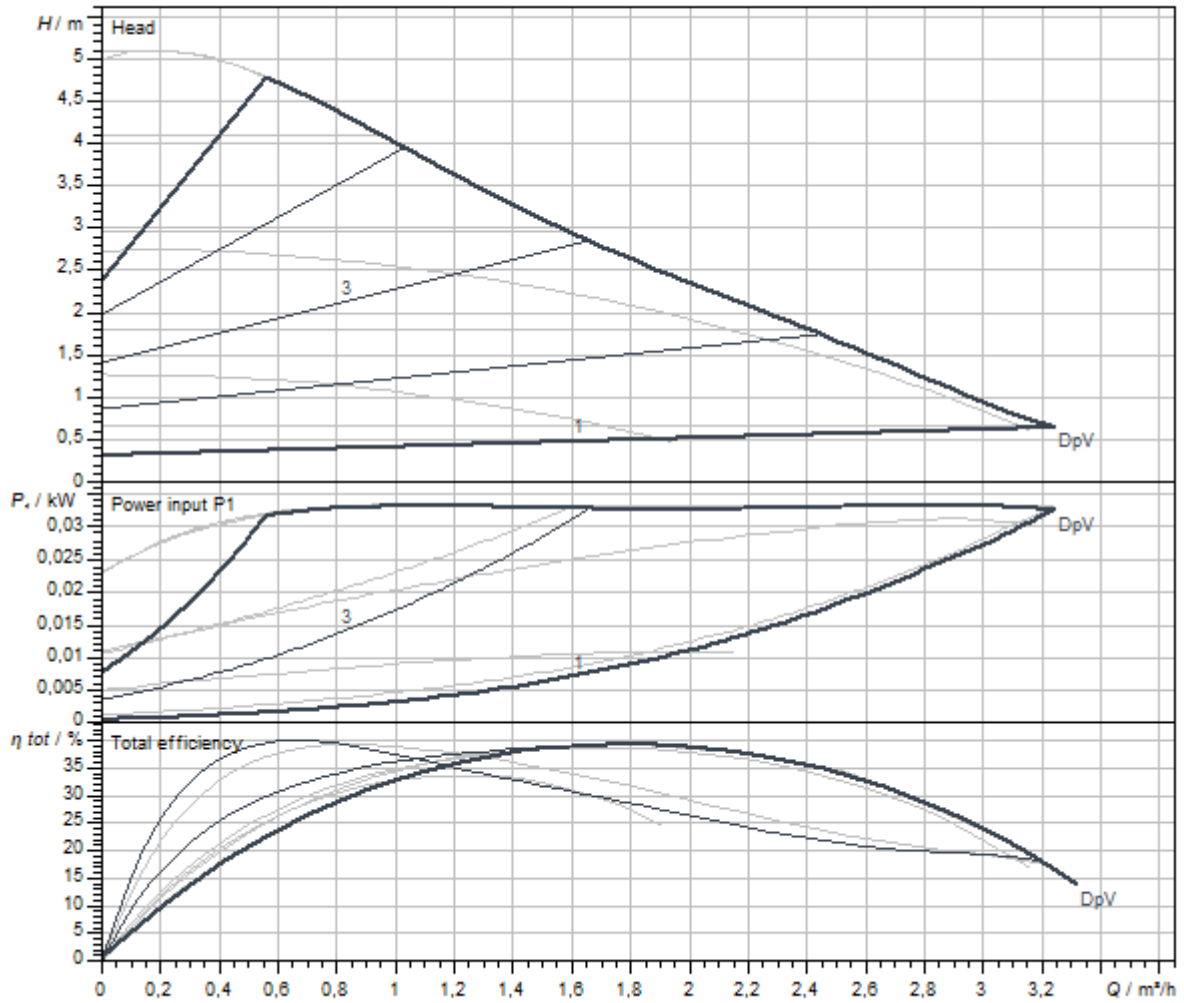
### Function

Control mode	$\Delta p$ -v for variable differential pressure
	$\Delta p$ -c for constant differential pressure
	Constant speed (3 speed stages)
Display	Setpoint
	Actual volume flow
	Actual power consumption
	Fault signals (error codes)
Pump venting function	Manually activated restart or pump venting function
	Manual

### Equipment

Approvals and labels	CE
	VDE
	EAC
Display	LED segment display
Display information	Basic Version: LED display (small) for showing the set head or speed stage.
Pump control	Electronic-controlled pump
Quick electrical connection	Wilo Connector
Thermal insulation shell	As accessory
Blocking-current proof motor	yes
Particle filter	yes
Operating elements	Green button

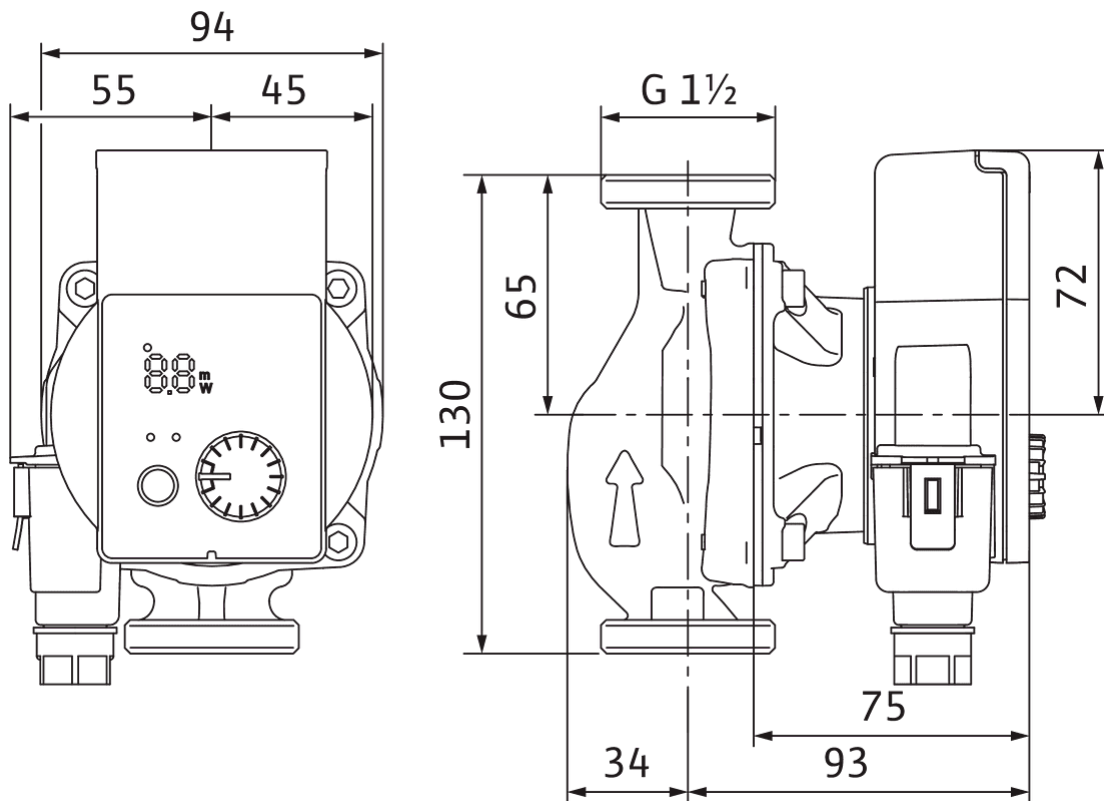
Pump curves



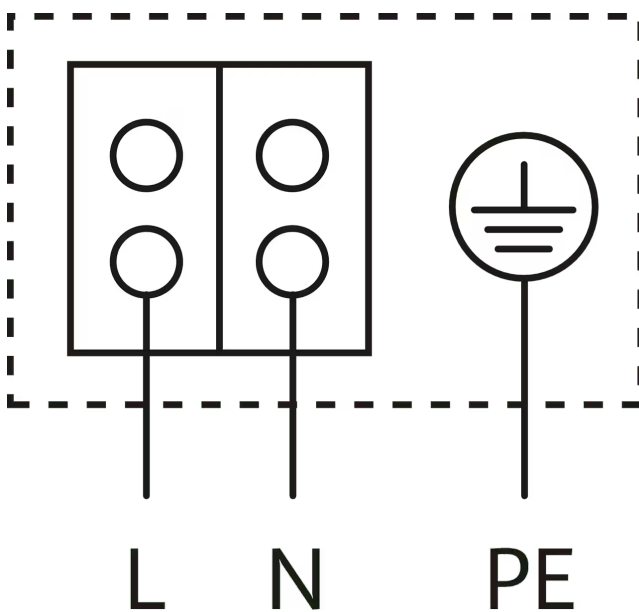


Dimensions and dimensions drawings

Wilo-Yonos PICO 25/1-5-130 PN 10



Wiring diagram



Blocking current-proof motor

Single-phase motor (EM) 2-pole - 1~230 V, 50 Hz

## Tender text

High-efficiency pump Wilo-Yonos PICO, electronically controlled. Maintenance-free glandless circulator with screwed connection, blocking-current proof synchronous motor according to ECM technology and built-in electronic power control for variable differential pressure control. Can be used for all heating and air-conditioning applications. Control mode can be selected in accordance with the radiator/underfloor heating application.

Standard-equipped with:

- > Preselectable control modes for optimum load adjustment: Differential pressure constant ( $\Delta p$ -c), differential pressure variable ( $\Delta p$ -v), constant speed (3 pump curves)
- > Integrated motor protection

- > LED for setting the setpoint, displaying the current consumption in watts and the flow rate in  $m^3/h$
- > Automatic deblocking function
- > Manual pump venting function for venting the rotor chamber
- > Manual restart

## Operating Data

Min. fluid temperature $T_{min}$	-10 °C
Max. fluid temperature $T_{max}$	95 °C
Min. ambient temperature $T_{min}$	-10 °C
Max. ambient temperature $T_{max}$	40 °C
Maximum operating pressure $PN$	10 bar
Minimum suction head at 50 °C $m$	0.5 m
Minimum suction head at 95 °C $m$	3 m
Minimum suction head at 110 °C	10 m

## Motor data

Energy efficiency index (EEI)	$\leq 0.20$
Emitted interference	EN 61000-6-3
Interference resistance	EN 61000-6-2
Mains connection	1~230 V, 50/60 Hz
Power consumption $P_{1\ max}$	33 W
Min. speed $n_{min}$	800 1/min
Max. speed $n_{max}$	3800 1/min
Protection class motor	IPX4D
Threaded cable connection	1 x PG11


## Materials

Pump housing	Grey cast iron
Impeller	PP-GF40
Shaft	Stainless steel
Bearing	Carbon, metal-impregnated

## Installation dimensions

Pipe connection on the suction side $DNs$	G 1½
Pipe connection on the discharge side $DNd$	G 1½
Port-to-port length $L0$	130 mm

## Ordering information

Brand	Wilo
Product description	Yonos PICO 25/1-5-130
Net weight, approx. $m$	1.7 kg
Article number	<b>4215522</b> 

## Mechanical accessories

### Pipe installation

#### Screwed connections/adapters

Screwed connection Rp 1 x G 1½, 72 Set	112047298
Screwed connection Rp 1 x G 1½, 1 Set	4092741
Adapter G 1½/G 2	4105914

### Pipe installation, adapter fitting

#### Flanged rings RF

Flanged ring RF 7, PN6	110628790
Flanged ring RF 9, PN6	110679395
Flanged ring RF 13, PN6	110679498
Flanged ring RF 10, PN6	110851499

#### Threaded adapter R

Threaded adapter R 2, GG	110626790
Threaded adapter R 6, GG	110678493
Threaded adapter R 1, GG	110786891
Threaded adapter R 7, GG	110787094
Threaded adapter R 24, GG	110880596

### Thermal insulation

#### Thermal insulation shell

Thermal insulation shell	4206066
--------------------------	---------

## Electrical accessories

### Pump control

---

#### Timer switch SK 601N

Switchgear SK 601N	2120443
--------------------	---------

---

### Plug

---

#### Angle plug

Angle plug	4150229
------------	---------

---

#### Connector

Wilo-Connector	4200870
----------------	---------

## Services

With Wilo as your partner, you can not only be sure of choosing high-quality product solutions, but also of benefiting from a comprehensive, worry-free package of well thought-out services. We collaborate to develop a service concept tailored to your individual needs; with our expertise and personal consultancy, we make sure that the operation of your systems is as energy-efficient, reliable and economical as possible. All the while our competent Wilo service technicians are ready to assist you with fast, reliable and on-time support.

### Recommended services

---

Wilo-Live Assistant Service	2216415
-----------------------------	---------

---

System Optimisation Glandless pumps	2219250
-------------------------------------	---------

---

Energy Solutions Glandless pumps	2219285
----------------------------------	---------

### More suitable services

---

Extended Warranty Glandless pumps	2219589
-----------------------------------	---------

---

Supervision Glandless pumps	2219320
-----------------------------	---------

---

Installation Glandless pumps	2219355
------------------------------	---------

---

Commissioning Glandless pumps	2219390
-------------------------------	---------

---

Maintenance BASIC Glandless pumps	2219530
-----------------------------------	---------

Maintenance COMFORT Glandless pumps	2219416
-------------------------------------	---------

Maintenance PREMIUM Glandless pumps	2219545
-------------------------------------	---------

---

Repair Glandless pumps	2219609
------------------------	---------



## Data sheet

### Hydraulic data

Maximum operating pressure $P_N$	10 bar
Head max $H_{max}$	6.0 m
Flow max $Q_{max}$	3.6 m <sup>3</sup> /h
Minimum suction head at 50 °C $m$	0.5 m
Minimum suction head at 95 °C $m$	3 m
Minimum suction head at 110 °C	10 m
Min. fluid temperature $T_{min}$	-10 °C
Max. fluid temperature $T_{max}$	95 °C
Max. fluid temperature at max. ambient temperature of +25 °C $T_{max}$	95 °C
Max. fluid temperature at max. ambient temperature of +40 °C $T_{max}$	95 °C
Min. ambient temperature $T_{min}$	-10 °C
Max. ambient temperature $T_{max}$	40 °C

### Motor data

Energy efficiency index (EEI)	≤0.20
Mains connection	1~230 V ±10%, 50/60 Hz
Rated power $P_2$	30 W
Min. speed $n_{min}$	700 1/min
Max. speed $n_{max}$	4200 1/min
Power consumption $P_{1 min}$	4 W
Power consumption $P_{1 max}$	40 W
Emitted interference	EN 61000-6-3
Interference resistance	EN 61000-6-2
Electromagnetic compatibility	EN 61800-3
Threaded cable connection	1 x PG11
Insulation class	F
Protection class	IPX4D

### Materials

Pump housing	Grey cast iron
Impeller	PP-GF40
Shaft	Stainless steel
Bearing	Carbon, metal-impregnated

### Installation dimensions

Pipe connection on the discharge side $DNd$	G 1½
Pipe connection on the suction side $DNs$	G 1½
Port-to-port length $L0$	180 mm

## Equipment/function

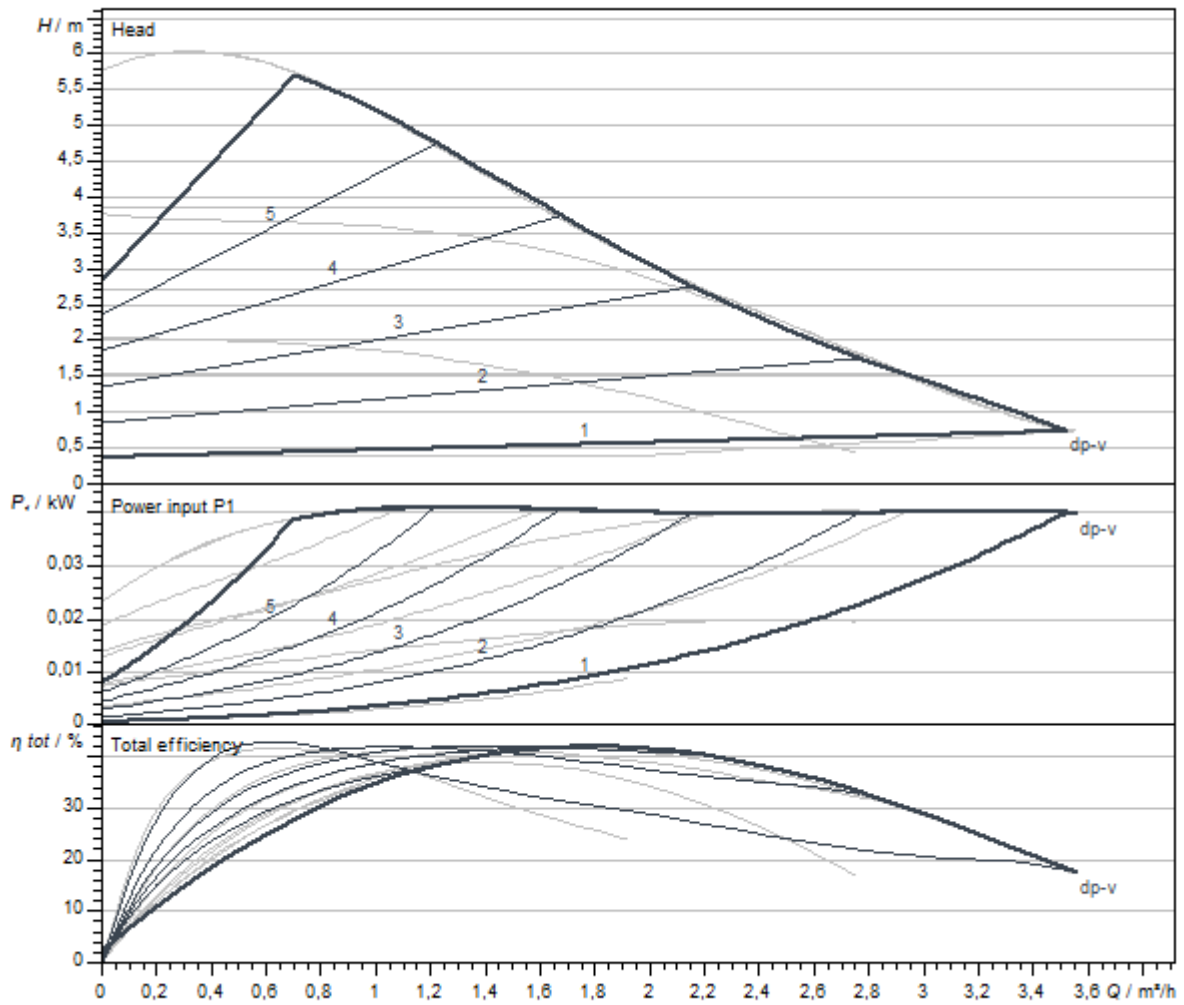
### Function

Control mode	$\Delta p$ -v for variable differential pressure
	$\Delta p$ -c for constant differential pressure
	Constant speed (3 speed stages)
Display	Setpoint
	Actual volume flow
	Actual power consumption
	Fault signals (error codes)
Pump venting function	Manually activated restart or pump venting function
	Manual

### Equipment

Approvals and labels	CE
	VDE
	EAC
Display	LED segment display
Display information	Basic Version: LED display (small) for showing the set head or speed stage.
Pump control	Electronic-controlled pump
Quick electrical connection	Wilo Connector
Thermal insulation shell	As accessory
Blocking-current proof motor	yes
Particle filter	yes
Operating elements	Green button

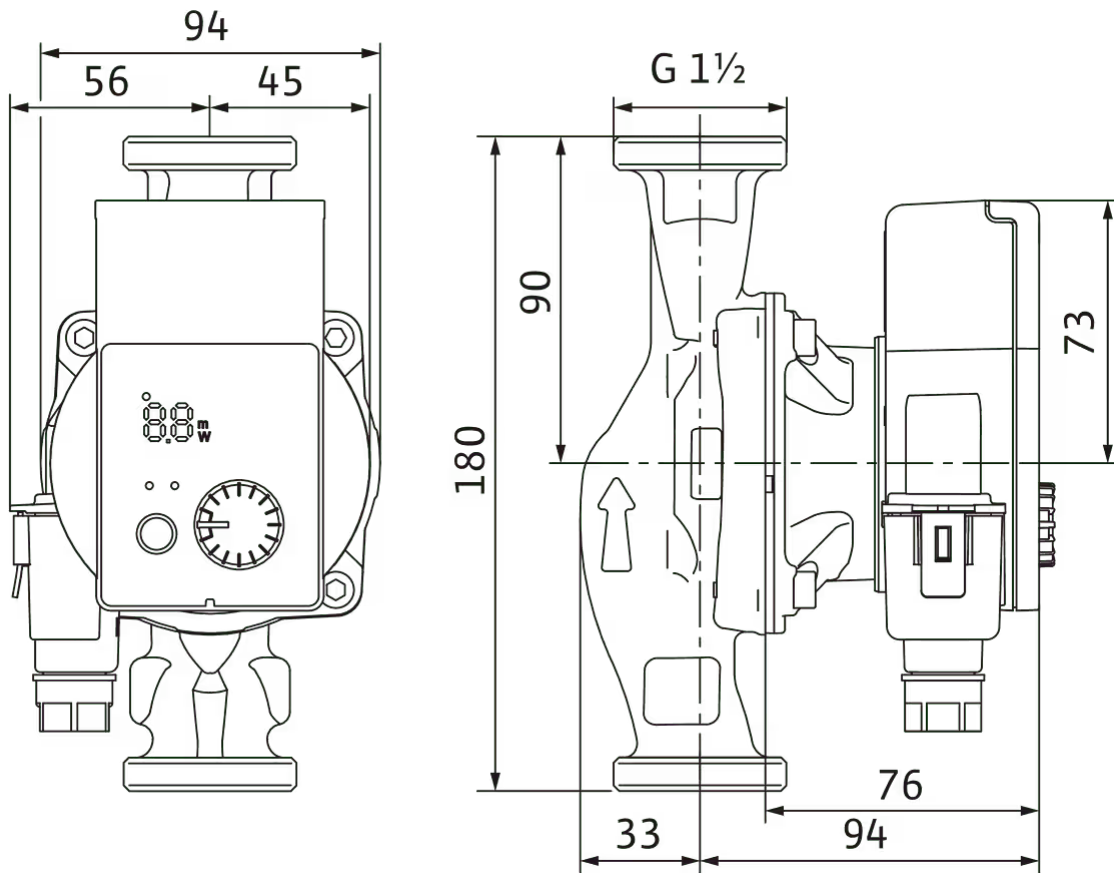
Pump curves



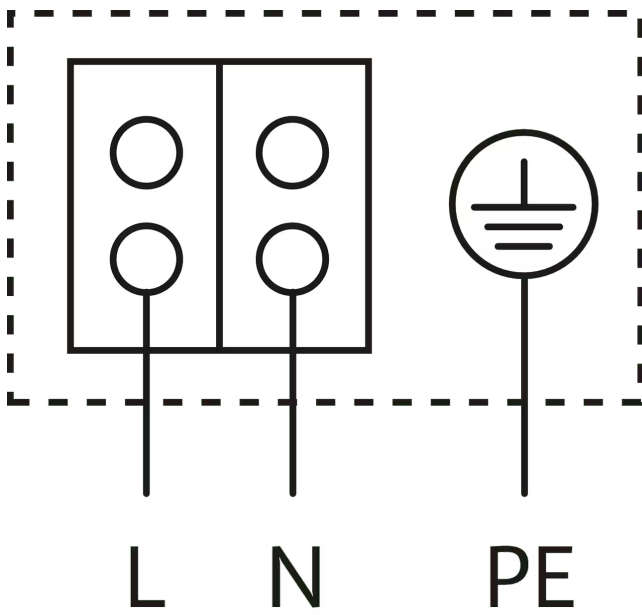


Dimensions and dimensions drawings

Wilo-Yonos PICO 25/1-6 PN 10



Wiring diagram



Blocking current-proof motor

Single-phase motor (EM) 2-pole - 1~230 V, 50 Hz

## Tender text

High-efficiency pump Wilo-Yonos PICO, electronically controlled. Maintenance-free glandless circulator with screwed connection, blocking-current proof synchronous motor according to ECM technology and built-in electronic power control for variable differential pressure control. Can be used for all heating and air-conditioning applications. Control mode can be selected in accordance with the radiator/underfloor heating application.

Standard-equipped with:

- > Preselectable control modes for optimum load adjustment: Differential pressure constant ( $\Delta p$ -c), differential pressure variable ( $\Delta p$ -v), constant speed (3 pump curves)
- > Integrated motor protection

- > LED for setting the setpoint, displaying the current consumption in watts and the flow rate in  $m^3/h$
- > Automatic deblocking function
- > Manual pump venting function for venting the rotor chamber
- > Manual restart

## Operating Data

Min. fluid temperature $T_{min}$	-10 °C
Max. fluid temperature $T_{max}$	95 °C
Min. ambient temperature $T_{min}$	-10 °C
Max. ambient temperature $T_{max}$	40 °C
Maximum operating pressure $PN$	10 bar
Minimum suction head at 50 °C $m$	0.5 m
Minimum suction head at 95 °C $m$	3 m
Minimum suction head at 110 °C	10 m

## Motor data

Energy efficiency index (EEI)	$\leq 0.20$
Emitted interference	EN 61000-6-3
Interference resistance	EN 61000-6-2
Mains connection	1~230 V, 50/60 Hz
Power consumption $P_{1\ max}$	40 W
Min. speed $n_{min}$	700 1/min
Max. speed $n_{max}$	4200 1/min
Protection class motor	IPX4D
Threaded cable connection	1 x PG11


## Materials

Pump housing	Grey cast iron
Impeller	PP-GF40
Shaft	Stainless steel
Bearing	Carbon, metal-impregnated

## Installation dimensions

Pipe connection on the suction side $DNs$	G 1½
Pipe connection on the discharge side $DNd$	G 1½
Port-to-port length $L0$	180 mm

## Ordering information

Brand	Wilo
Product description	Yonos PICO 25/1-6
Net weight, approx. $m$	1.8 kg
Article number	<b>4215515</b> 

## Mechanical accessories

### Pipe installation

#### Screwed connections/adapters

Screwed connection Rp 1 x G 1½, 72 Set	112047298
Screwed connection Rp 1 x G 1½, 1 Set	4092741
Adapter G 1½/G 2	4105914

### Pipe installation, adapter fitting

#### Flanged rings RF

Flanged ring RF 7, PN6	110628790
Flanged ring RF 9, PN6	110679395
Flanged ring RF 13, PN6	110679498
Flanged ring RF 10, PN6	110851499

#### Threaded adapter R

Threaded adapter R 2, GG	110626790
Threaded adapter R 6, GG	110678493
Threaded adapter R 1, GG	110786891
Threaded adapter R 7, GG	110787094
Threaded adapter R 24, GG	110880596

### Thermal insulation

#### Thermal insulation shell

Thermal insulation shell	4206066
--------------------------	---------

## Electrical accessories

### Pump control

---

#### Timer switch SK 601N

Switchgear SK 601N	2120443
--------------------	---------

---

### Plug

---

#### Angle plug

Angle plug	4150229
------------	---------

---

#### Connector

Wilo-Connector	4200870
----------------	---------

## Services

With Wilo as your partner, you can not only be sure of choosing high-quality product solutions, but also of benefiting from a comprehensive, worry-free package of well thought-out services. We collaborate to develop a service concept tailored to your individual needs; with our expertise and personal consultancy, we make sure that the operation of your systems is as energy-efficient, reliable and economical as possible. All the while our competent Wilo service technicians are ready to assist you with fast, reliable and on-time support.

### Recommended services

---

Wilo-Live Assistant Service	2216415
-----------------------------	---------

---

System Optimisation Glandless pumps	2219250
-------------------------------------	---------

---

Energy Solutions Glandless pumps	2219285
----------------------------------	---------

### More suitable services

---

Extended Warranty Glandless pumps	2219589
-----------------------------------	---------

---

Supervision Glandless pumps	2219320
-----------------------------	---------

---

Installation Glandless pumps	2219355
------------------------------	---------

---

Commissioning Glandless pumps	2219390
-------------------------------	---------

---

Maintenance BASIC Glandless pumps	2219530
-----------------------------------	---------

Maintenance COMFORT Glandless pumps	2219416
-------------------------------------	---------

Maintenance PREMIUM Glandless pumps	2219545
-------------------------------------	---------

---

Repair Glandless pumps	2219609
------------------------	---------



## Data sheet

### Hydraulic data

Maximum operating pressure $P_N$	10 bar
Head max $H_{max}$	6.0 m
Flow max $Q_{max}$	3.6 m <sup>3</sup> /h
Minimum suction head at 50 °C $m$	0.5 m
Minimum suction head at 95 °C $m$	3 m
Minimum suction head at 110 °C	10 m
Min. fluid temperature $T_{min}$	-10 °C
Max. fluid temperature $T_{max}$	95 °C
Max. fluid temperature at max. ambient temperature of +25 °C $T_{max}$	95 °C
Max. fluid temperature at max. ambient temperature of +40 °C $T_{max}$	95 °C
Min. ambient temperature $T_{min}$	-10 °C
Max. ambient temperature $T_{max}$	40 °C

### Motor data

Energy efficiency index (EEI)	≤0.20
Mains connection	1~230 V ±10%, 50/60 Hz
Rated power $P_2$	30 W
Min. speed $n_{min}$	700 1/min
Max. speed $n_{max}$	4200 1/min
Power consumption $P_{1 min}$	4 W
Power consumption $P_{1 max}$	40 W
Emitted interference	EN 61000-6-3
Interference resistance	EN 61000-6-2
Electromagnetic compatibility	EN 61800-3
Threaded cable connection	1 x PG11
Insulation class	F
Protection class	IPX4D

### Materials

Pump housing	Grey cast iron
Impeller	PP-GF40
Shaft	Stainless steel
Bearing	Carbon, metal-impregnated

### Installation dimensions

Pipe connection on the discharge side $DNd$	G 1½
Pipe connection on the suction side $DNs$	G 1½
Port-to-port length $L0$	130 mm

## Equipment/function

### Function

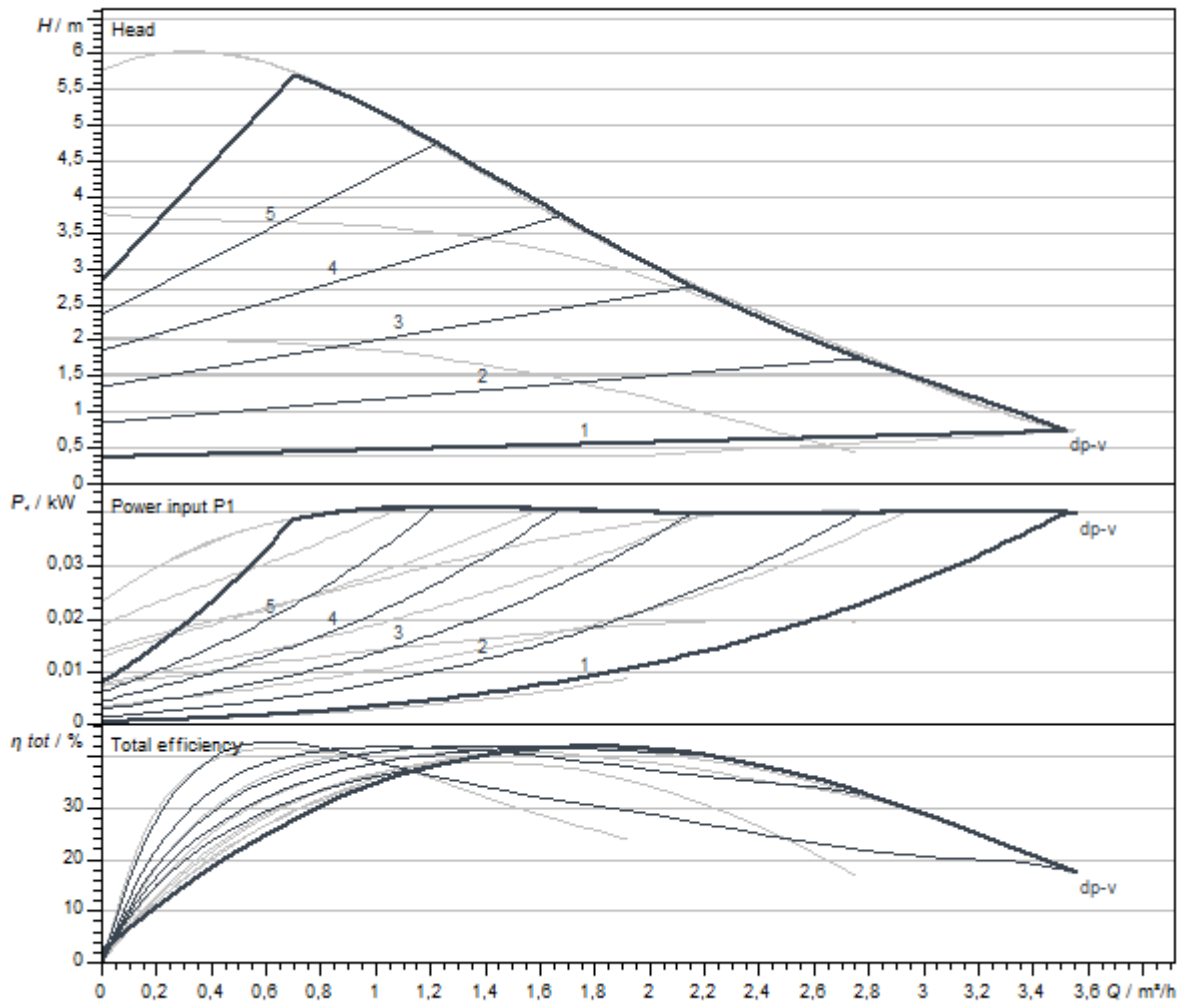
Control mode	$\Delta p$ -v for variable differential pressure
	$\Delta p$ -c for constant differential pressure
	Constant speed (3 speed stages)
Display	Setpoint
	Actual volume flow
	Actual power consumption
	Fault signals (error codes)
Pump venting function	Manually activated restart or pump venting function
	Manual

### Equipment

Approvals and labels	CE
	VDE
	EAC
Display	LED segment display
Display information	Basic Version: LED display (small) for showing the set head or speed stage.
Pump control	Electronic-controlled pump
Quick electrical connection	Wilo Connector
Thermal insulation shell	As accessory
Blocking-current proof motor	yes
Particle filter	yes
Operating elements	Green button

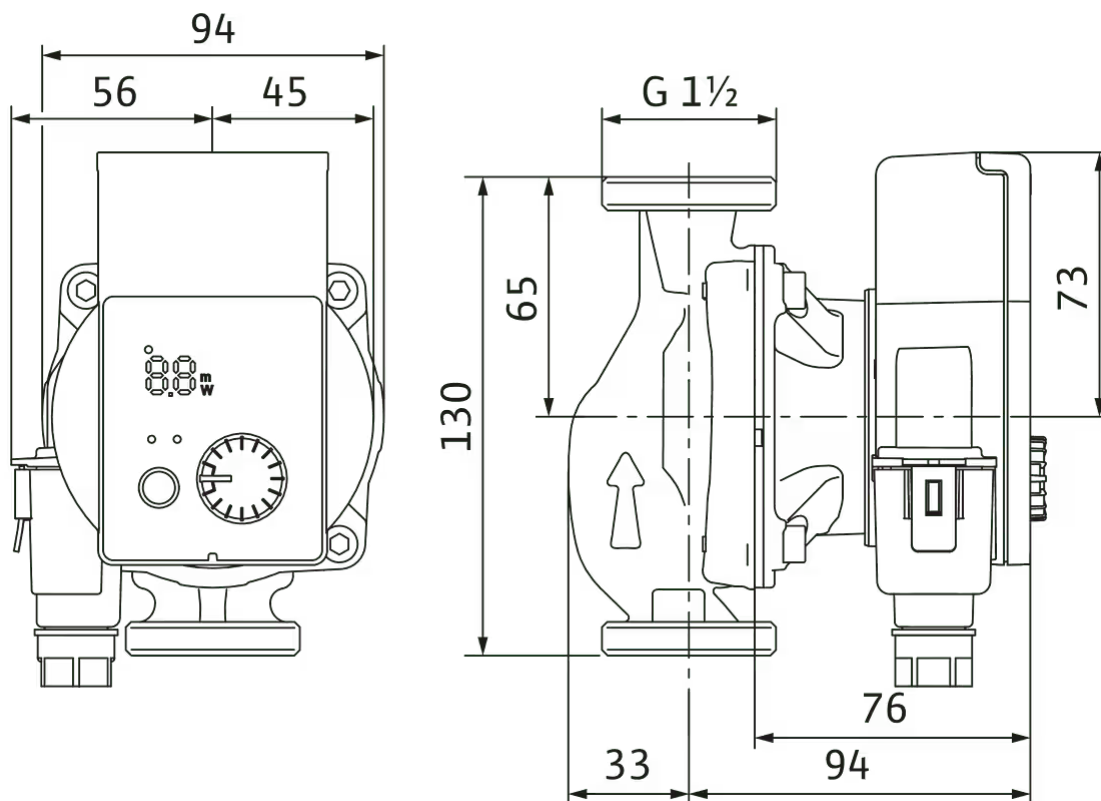


Pump curves

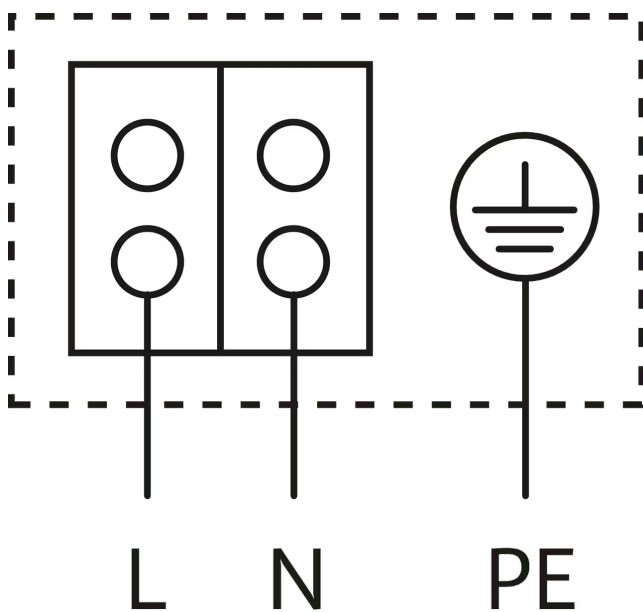


Dimensions and dimensions drawings

Wilo-Yonos PICO 25/1-6-130 PN 10



Wiring diagram



Blocking current-proof motor

Single-phase motor (EM) 2-pole - 1~230 V, 50 Hz

## Tender text

High-efficiency pump Wilo-Yonos PICO, electronically controlled. Maintenance-free glandless circulator with screwed connection, blocking-current proof synchronous motor according to ECM technology and built-in electronic power control for variable differential pressure control. Can be used for all heating and air-conditioning applications. Control mode can be selected in accordance with the radiator/underfloor heating application.

Standard-equipped with:

- > Preselectable control modes for optimum load adjustment: Differential pressure constant ( $\Delta p$ -c), differential pressure variable ( $\Delta p$ -v), constant speed (3 pump curves)
- > Integrated motor protection

- > LED for setting the setpoint, displaying the current consumption in watts and the flow rate in  $m^3/h$
- > Automatic deblocking function
- > Manual pump venting function for venting the rotor chamber
- > Manual restart

## Operating Data

Min. fluid temperature $T_{min}$	-10 °C
Max. fluid temperature $T_{max}$	95 °C
Min. ambient temperature $T_{min}$	-10 °C
Max. ambient temperature $T_{max}$	40 °C
Maximum operating pressure $PN$	10 bar
Minimum suction head at 50 °C $m$	0.5 m
Minimum suction head at 95 °C $m$	3 m
Minimum suction head at 110 °C	10 m

## Motor data

Energy efficiency index (EEI)	$\leq 0.20$
Emitted interference	EN 61000-6-3
Interference resistance	EN 61000-6-2
Mains connection	1~230 V, 50/60 Hz
Power consumption $P_{1\ max}$	40 W
Min. speed $n_{min}$	700 1/min
Max. speed $n_{max}$	4200 1/min
Protection class motor	IPX4D
Threaded cable connection	1 x PG11


## Materials

Pump housing	Grey cast iron
Impeller	PP-GF40
Shaft	Stainless steel
Bearing	Carbon, metal-impregnated

## Installation dimensions

Pipe connection on the suction side $DNs$	G 1½
Pipe connection on the discharge side $DNd$	G 1½
Port-to-port length $L0$	130 mm

## Ordering information

Brand	Wilo
Product description	Yonos PICO 25/1-6-130
Net weight, approx. $m$	1.7 kg
Article number	<b>4215516</b> 

## Mechanical accessories

### Pipe installation

#### Screwed connections/adapters

Screwed connection Rp 1 x G 1½, 72 Set	112047298
Screwed connection Rp 1 x G 1½, 1 Set	4092741
Adapter G 1½/G 2	4105914

### Pipe installation, adapter fitting

#### Flanged rings RF

Flanged ring RF 7, PN6	110628790
Flanged ring RF 9, PN6	110679395
Flanged ring RF 13, PN6	110679498
Flanged ring RF 10, PN6	110851499

#### Threaded adapter R

Threaded adapter R 2, GG	110626790
Threaded adapter R 6, GG	110678493
Threaded adapter R 1, GG	110786891
Threaded adapter R 7, GG	110787094
Threaded adapter R 24, GG	110880596

### Thermal insulation

#### Thermal insulation shell

Thermal insulation shell	4206066
--------------------------	---------

## Electrical accessories

### Pump control

---

#### Timer switch SK 601N

Switchgear SK 601N	2120443
--------------------	---------

---

### Plug

---

#### Angle plug

Angle plug	4150229
------------	---------

---

#### Connector

Wilo-Connector	4200870
----------------	---------

## Services

With Wilo as your partner, you can not only be sure of choosing high-quality product solutions, but also of benefiting from a comprehensive, worry-free package of well thought-out services. We collaborate to develop a service concept tailored to your individual needs; with our expertise and personal consultancy, we make sure that the operation of your systems is as energy-efficient, reliable and economical as possible. All the while our competent Wilo service technicians are ready to assist you with fast, reliable and on-time support.

### Recommended services

---

Wilo-Live Assistant Service	2216415
-----------------------------	---------

---

System Optimisation Glandless pumps	2219250
-------------------------------------	---------

---

Energy Solutions Glandless pumps	2219285
----------------------------------	---------

### More suitable services

---

Extended Warranty Glandless pumps	2219589
-----------------------------------	---------

---

Supervision Glandless pumps	2219320
-----------------------------	---------

---

Installation Glandless pumps	2219355
------------------------------	---------

---

Commissioning Glandless pumps	2219390
-------------------------------	---------

---

Maintenance BASIC Glandless pumps	2219530
Maintenance COMFORT Glandless pumps	2219416
Maintenance PREMIUM Glandless pumps	2219545

---

Repair Glandless pumps	2219609
------------------------	---------



## Data sheet

### Hydraulic data

Maximum operating pressure $P_N$	10 bar
Head max $H_{max}$	7.6 m
Flow max $Q_{max}$	4.4 m <sup>3</sup> /h
Minimum suction head at 50 °C $m$	0.5 m
Minimum suction head at 95 °C $m$	3 m
Minimum suction head at 110 °C	10 m
Min. fluid temperature $T_{min}$	-10 °C
Max. fluid temperature $T_{max}$	95 °C
Max. fluid temperature at max. ambient temperature of +25 °C $T_{max}$	95 °C
Max. fluid temperature at max. ambient temperature of +40 °C $T_{max}$	95 °C
Min. ambient temperature $T_{min}$	-10 °C
Max. ambient temperature $T_{max}$	40 °C

### Motor data

Energy efficiency index (EEI)	≤0.23
Mains connection	1~230 V ±10%, 50/60 Hz
Rated power $P_2$	58 W
Min. speed $n_{min}$	500 1/min
Max. speed $n_{max}$	4800 1/min
Power consumption $P_{1 min}$	4 W
Power consumption $P_{1 max}$	75 W
Emitted interference	EN 61000-6-3
Interference resistance	EN 61000-6-2
Electromagnetic compatibility	EN 61800-3
Threaded cable connection	1 x PG11
Insulation class	F
Protection class	IPX4D

### Materials

Pump housing	Grey cast iron
Impeller	PP-GF40
Shaft	Stainless steel
Bearing	Carbon, metal-impregnated

### Installation dimensions

Pipe connection on the discharge side $DNd$	G 1½
Pipe connection on the suction side $DNs$	G 1½
Port-to-port length $L0$	180 mm

## Equipment/function

### Function

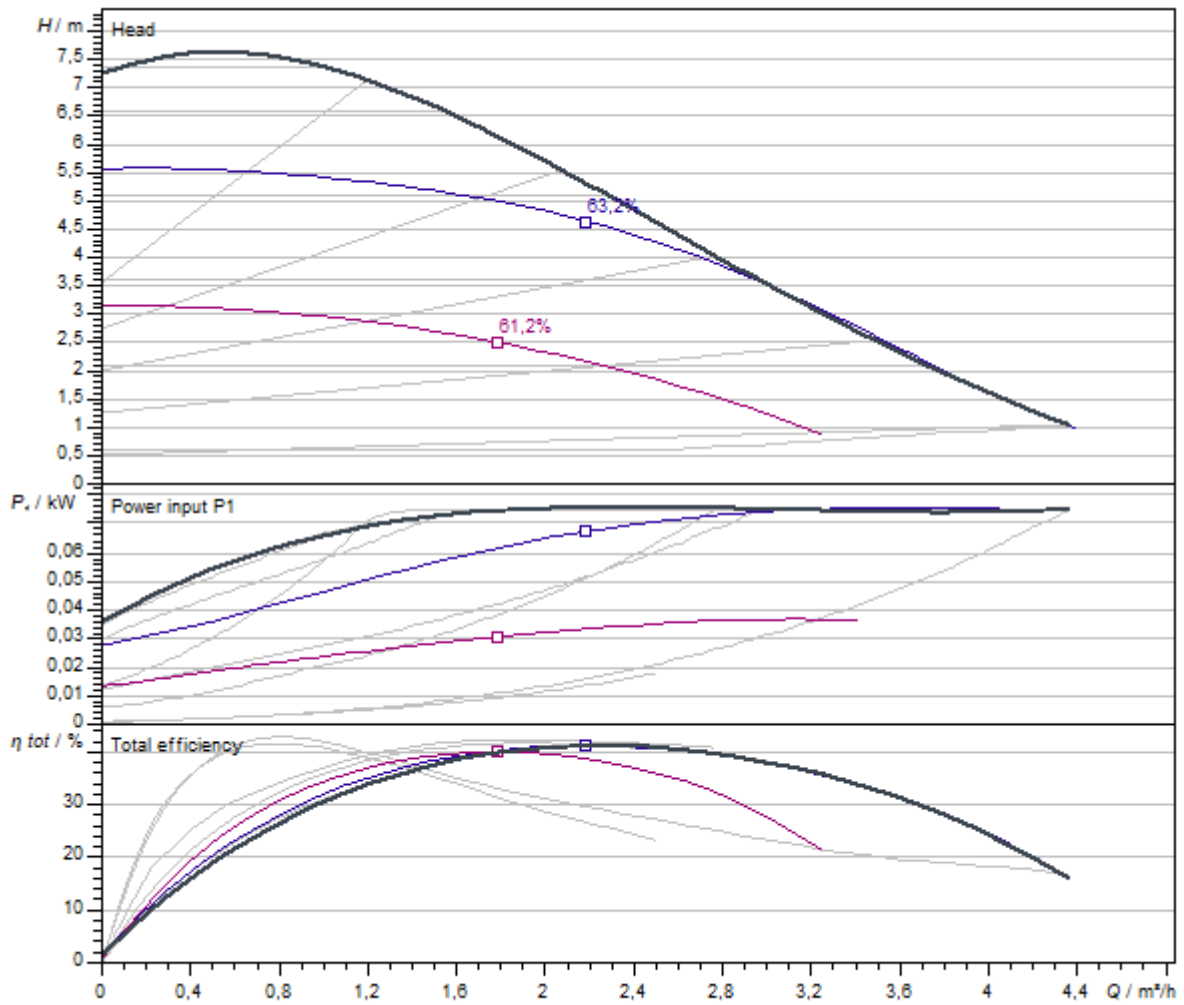
Control mode	$\Delta p$ -v for variable differential pressure
	$\Delta p$ -c for constant differential pressure
	Constant speed (3 speed stages)
Display	Setpoint
	Actual volume flow
	Actual power consumption
	Fault signals (error codes)
Pump venting function	Manually activated restart or pump venting function
	Manual

### Equipment

Approvals and labels	CE
	VDE
	EAC
Display	LED segment display
Display information	Basic Version: LED display (small) for showing the set head or speed stage.
Pump control	Electronic-controlled pump
Quick electrical connection	Wilo Connector
Thermal insulation shell	As accessory
Blocking-current proof motor	yes
Particle filter	yes
Operating elements	Green button

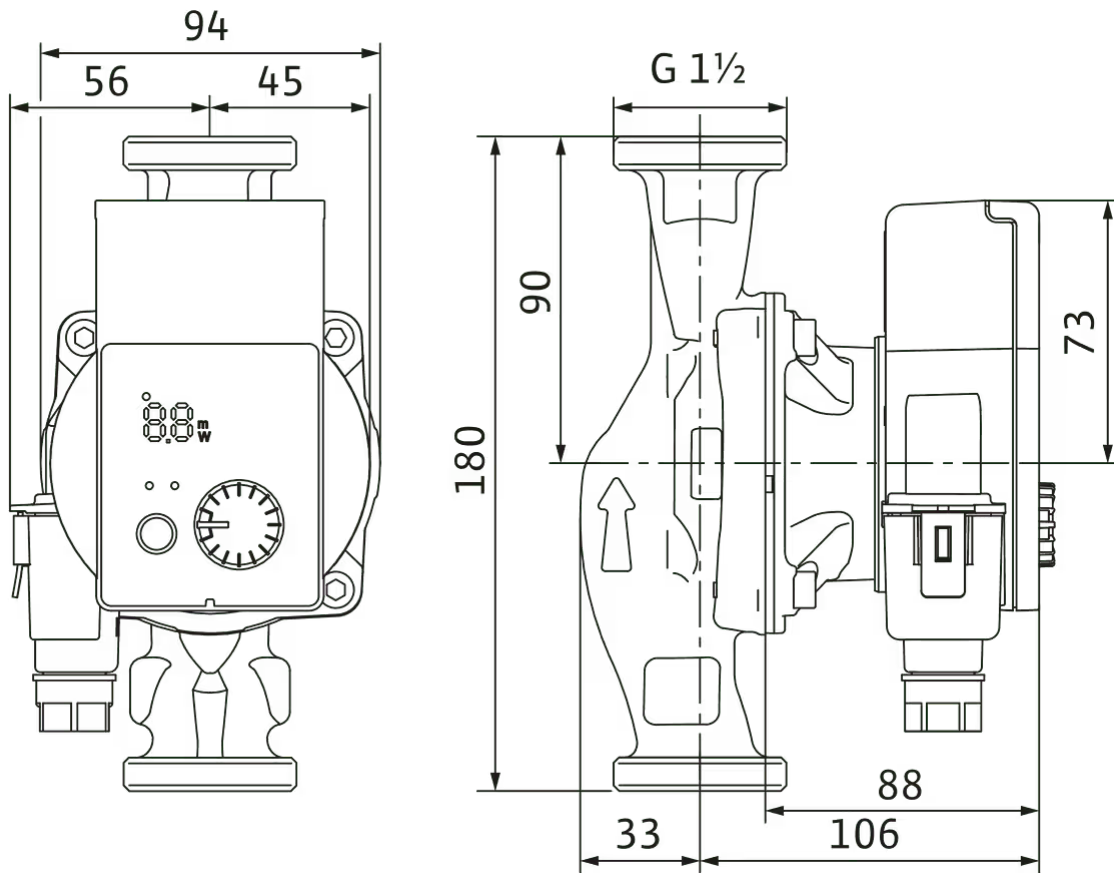


Pump curves

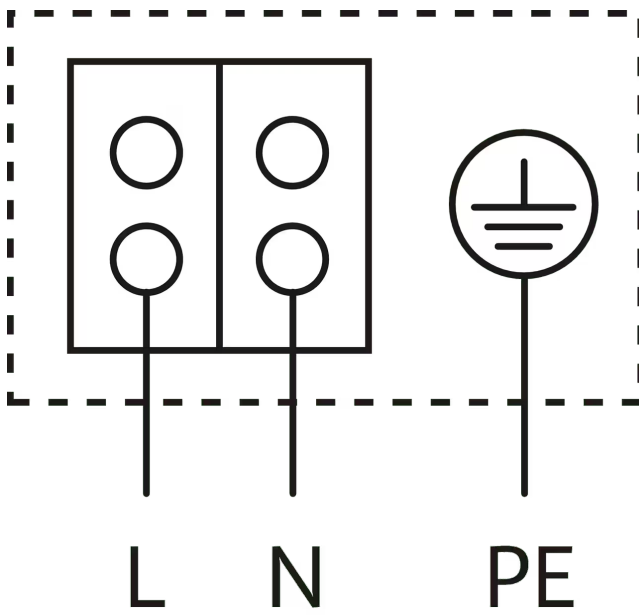


Dimensions and dimensions drawings

Wilo-Yonos PICO 25/1-8 PN 10



Wiring diagram



Blocking current-proof motor

Single-phase motor (EM) 2-pole - 1~230 V, 50 Hz

## Tender text

High-efficiency pump Wilo-Yonos PICO, electronically controlled. Maintenance-free glandless circulator with screwed connection, blocking-current proof synchronous motor according to ECM technology and built-in electronic power control for variable differential pressure control. Can be used for all heating and air-conditioning applications. Control mode can be selected in accordance with the radiator/underfloor heating application.

Standard-equipped with:

- > Preselectable control modes for optimum load adjustment: Differential pressure constant ( $\Delta p$ -c), differential pressure variable ( $\Delta p$ -v), constant speed (3 pump curves)
- > Integrated motor protection

- > LED for setting the setpoint, displaying the current consumption in watts and the flow rate in  $m^3/h$
- > Automatic deblocking function
- > Manual pump venting function for venting the rotor chamber
- > Manual restart

## Operating Data

Min. fluid temperature $T_{min}$	-10 °C
Max. fluid temperature $T_{max}$	95 °C
Min. ambient temperature $T_{min}$	-10 °C
Max. ambient temperature $T_{max}$	40 °C
Maximum operating pressure $PN$	10 bar
Minimum suction head at 50 °C $m$	0.5 m
Minimum suction head at 95 °C $m$	3 m
Minimum suction head at 110 °C	10 m

## Motor data

Energy efficiency index (EEI)	$\leq 0.23$
Emitted interference	EN 61000-6-3
Interference resistance	EN 61000-6-2
Mains connection	1~230 V, 50/60 Hz
Power consumption $P_{1\ max}$	75 W
Min. speed $n_{min}$	500 1/min
Max. speed $n_{max}$	4800 1/min
Protection class motor	IPX4D
Threaded cable connection	1 x PG11


## Materials

Pump housing	Grey cast iron
Impeller	PP-GF40
Shaft	Stainless steel
Bearing	Carbon, metal-impregnated

## Installation dimensions

Pipe connection on the suction side $DNs$	G 1½
Pipe connection on the discharge side $DNd$	G 1½
Port-to-port length $L0$	180 mm

## Ordering information

Brand	Wilo
Product description	Yonos PICO 25/1-8
Net weight, approx. $m$	2 kg
Article number	<b>4215517</b> 

## Mechanical accessories

### Pipe installation

#### Screwed connections/adapters

Screwed connection Rp 1 x G 1½, 72 Set	112047298
Screwed connection Rp 1 x G 1½, 1 Set	4092741
Adapter G 1½/G 2	4105914

### Pipe installation, adapter fitting

#### Flanged rings RF

Flanged ring RF 7, PN6	110628790
Flanged ring RF 9, PN6	110679395
Flanged ring RF 13, PN6	110679498
Flanged ring RF 10, PN6	110851499

#### Threaded adapter R

Threaded adapter R 2, GG	110626790
Threaded adapter R 6, GG	110678493
Threaded adapter R 1, GG	110786891
Threaded adapter R 7, GG	110787094
Threaded adapter R 24, GG	110880596

### Thermal insulation

#### Thermal insulation shell

Thermal insulation shell	4206066
--------------------------	---------

## Electrical accessories

### Pump control

---

#### Timer switch SK 601N

Switchgear SK 601N	2120443
--------------------	---------

---

### Plug

---

#### Angle plug

Angle plug	4150229
------------	---------

---

#### Connector

Wilo-Connector	4200870
----------------	---------

## Services

With Wilo as your partner, you can not only be sure of choosing high-quality product solutions, but also of benefiting from a comprehensive, worry-free package of well thought-out services. We collaborate to develop a service concept tailored to your individual needs; with our expertise and personal consultancy, we make sure that the operation of your systems is as energy-efficient, reliable and economical as possible. All the while our competent Wilo service technicians are ready to assist you with fast, reliable and on-time support.

### Recommended services

---

Wilo-Live Assistant Service	2216415
-----------------------------	---------

---

System Optimisation Glandless pumps	2219250
-------------------------------------	---------

---

Energy Solutions Glandless pumps	2219285
----------------------------------	---------

### More suitable services

---

Extended Warranty Glandless pumps	2219589
-----------------------------------	---------

---

Supervision Glandless pumps	2219320
-----------------------------	---------

---

Installation Glandless pumps	2219355
------------------------------	---------

---

Commissioning Glandless pumps	2219390
-------------------------------	---------

---

Maintenance BASIC Glandless pumps	2219530
-----------------------------------	---------

Maintenance COMFORT Glandless pumps	2219416
-------------------------------------	---------

Maintenance PREMIUM Glandless pumps	2219545
-------------------------------------	---------

---

Repair Glandless pumps	2219609
------------------------	---------



## Data sheet

### Hydraulic data

Maximum operating pressure $P_N$	10 bar
Head max $H_{max}$	7.6 m
Flow max $Q_{max}$	4.4 m <sup>3</sup> /h
Minimum suction head at 50 °C $m$	0.5 m
Minimum suction head at 95 °C $m$	3 m
Minimum suction head at 110 °C	10 m
Min. fluid temperature $T_{min}$	-10 °C
Max. fluid temperature $T_{max}$	95 °C
Max. fluid temperature at max. ambient temperature of +25 °C $T_{max}$	95 °C
Max. fluid temperature at max. ambient temperature of +40 °C $T_{max}$	95 °C
Min. ambient temperature $T_{min}$	-10 °C
Max. ambient temperature $T_{max}$	40 °C

### Motor data

Energy efficiency index (EEI)	≤0.23
Mains connection	1~230 V ±10%, 50/60 Hz
Rated power $P_2$	58 W
Min. speed $n_{min}$	500 1/min
Max. speed $n_{max}$	4800 1/min
Power consumption $P_{1 min}$	4 W
Power consumption $P_{1 max}$	75 W
Emitted interference	EN 61000-6-3
Interference resistance	EN 61000-6-2
Electromagnetic compatibility	EN 61800-3
Threaded cable connection	1 x PG11
Insulation class	F
Protection class	IPX4D

### Materials

Pump housing	Grey cast iron
Impeller	PP-GF40
Shaft	Stainless steel
Bearing	Carbon, metal-impregnated

### Installation dimensions

Pipe connection on the discharge side $DNd$	G 1½
Pipe connection on the suction side $DNs$	G 1½
Port-to-port length $L0$	130 mm



## Equipment/function

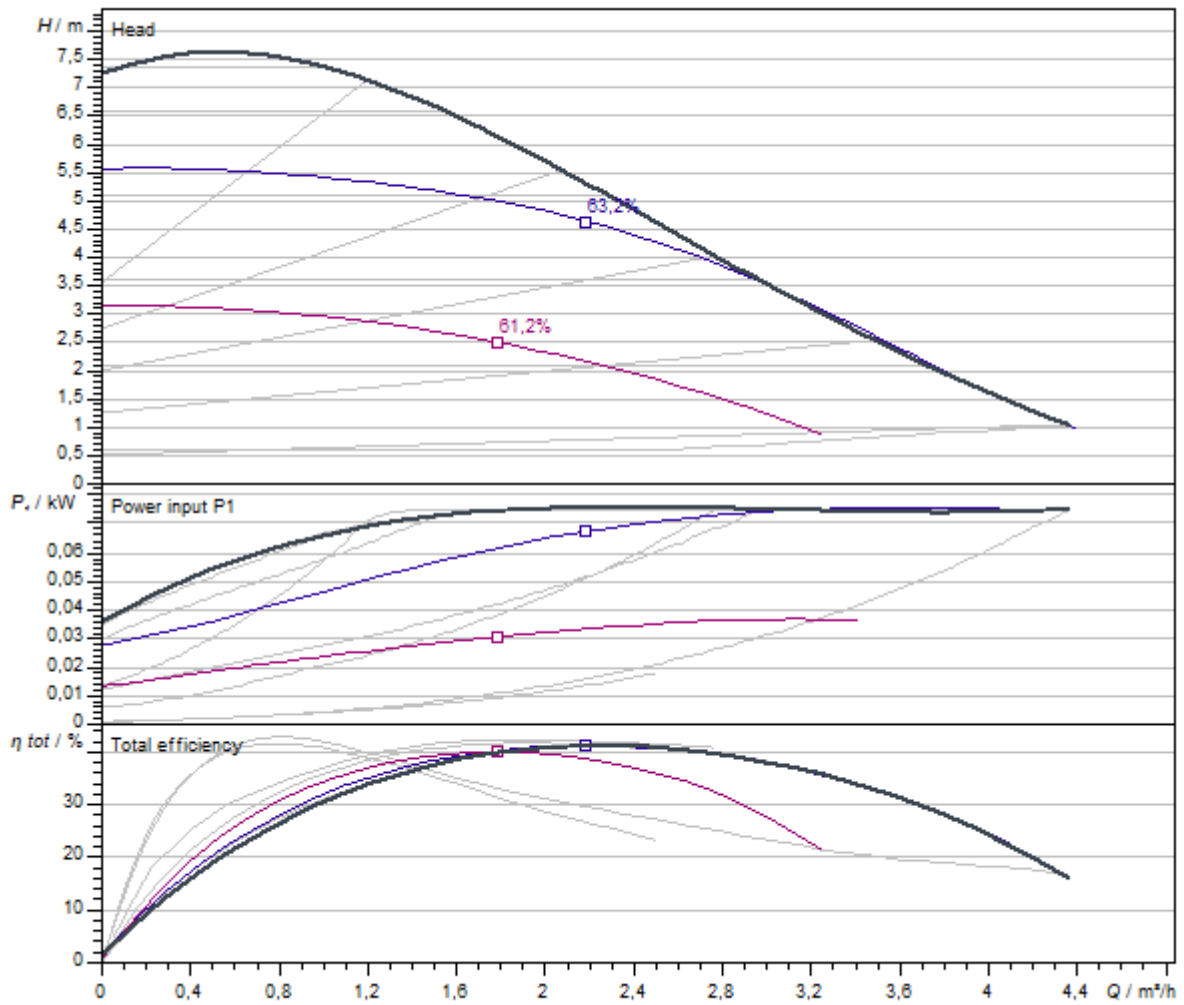
### Function

Control mode	$\Delta p$ -v for variable differential pressure
	$\Delta p$ -c for constant differential pressure
	Constant speed (3 speed stages)
Display	Setpoint
	Actual volume flow
	Actual power consumption
	Fault signals (error codes)
Pump venting function	Manually activated restart or pump venting function
	Manual

### Equipment

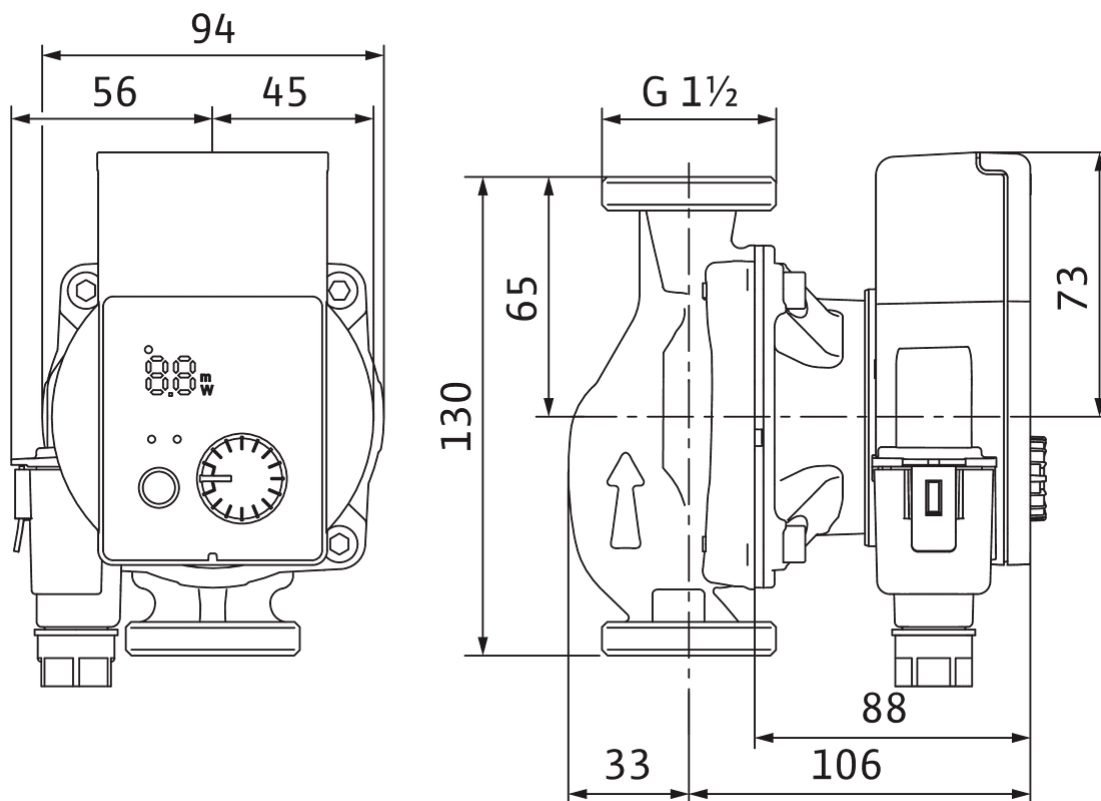
Approvals and labels	CE
	VDE
	EAC
Display	LED segment display
Display information	Basic Version: LED display (small) for showing the set head or speed stage.
Pump control	Electronic-controlled pump
Quick electrical connection	Wilo Connector
Thermal insulation shell	As accessory
Blocking-current proof motor	yes
Particle filter	yes
Operating elements	Green button

Pump curves

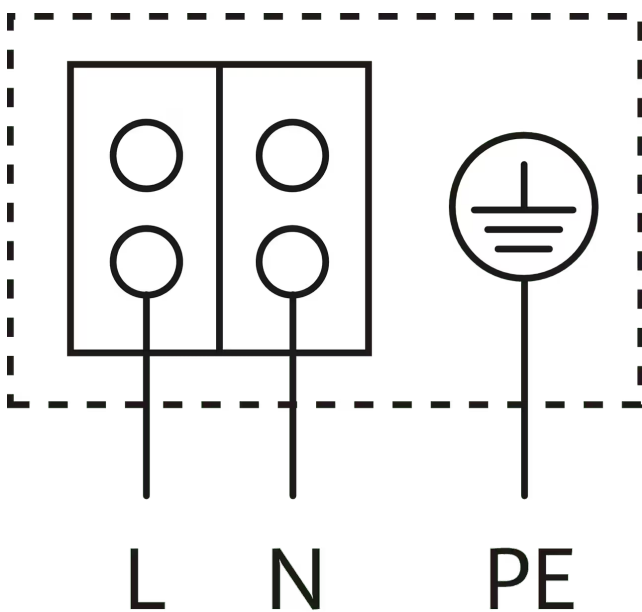


Dimensions and dimensions drawings

Wilo-Yonos PICO 25/1-8-130 PN 10



Wiring diagram



Blocking current-proof motor

Single-phase motor (EM) 2-pole - 1~230 V, 50 Hz

## Tender text

High-efficiency pump Wilo-Yonos PICO, electronically controlled. Maintenance-free glandless circulator with screwed connection, blocking-current proof synchronous motor according to ECM technology and built-in electronic power control for variable differential pressure control. Can be used for all heating and air-conditioning applications. Control mode can be selected in accordance with the radiator/underfloor heating application.

Standard-equipped with:

- > Preselectable control modes for optimum load adjustment: Differential pressure constant ( $\Delta p$ -c), differential pressure variable ( $\Delta p$ -v), constant speed (3 pump curves)
- > Integrated motor protection

- > LED for setting the setpoint, displaying the current consumption in watts and the flow rate in  $\text{m}^3/\text{h}$
- > Automatic deblocking function
- > Manual pump venting function for venting the rotor chamber
- > Manual restart

## Operating Data

Min. fluid temperature $T_{\min}$	-10 °C
Max. fluid temperature $T_{\max}$	95 °C
Min. ambient temperature $T_{\min}$	-10 °C
Max. ambient temperature $T_{\max}$	40 °C
Maximum operating pressure $PN$	10 bar
Minimum suction head at 50 °C $m$	0.5 m
Minimum suction head at 95 °C $m$	3 m
Minimum suction head at 110 °C	10 m

## Motor data

Energy efficiency index (EEI)	$\leq 0.23$
Emitted interference	EN 61000-6-3
Interference resistance	EN 61000-6-2
Mains connection	1~230 V, 50/60 Hz
Power consumption $P_{1 \max}$	75 W
Min. speed $n_{\min}$	500 1/min
Max. speed $n_{\max}$	4800 1/min
Protection class motor	IPX4D
Threaded cable connection	1 x PG11


## Materials

Pump housing	Grey cast iron
Impeller	PP-GF40
Shaft	Stainless steel
Bearing	Carbon, metal-impregnated

## Installation dimensions

Pipe connection on the suction side $DNs$	G 1½
Pipe connection on the discharge side $DNd$	G 1½
Port-to-port length $L0$	130 mm

## Ordering information

Brand	Wilo
Product description	Yonos PICO 25/1-8-130
Net weight, approx. $m$	1.9 kg
Article number	<b>4215518</b> 

## Mechanical accessories

### Pipe installation

---

#### Screwed connections/adapters

Screwed connection Rp 1 x G 1½, 72 Set	112047298
Screwed connection Rp 1 x G 1½, 1 Set	4092741
Adapter G 1½/G 2	4105914

---

### Pipe installation, adapter fitting

---

#### Flanged rings RF

Flanged ring RF 7, PN6	110628790
Flanged ring RF 9, PN6	110679395
Flanged ring RF 13, PN6	110679498
Flanged ring RF 10, PN6	110851499

---

#### Threaded adapter R

Threaded adapter R 2, GG	110626790
Threaded adapter R 6, GG	110678493
Threaded adapter R 1, GG	110786891
Threaded adapter R 7, GG	110787094
Threaded adapter R 24, GG	110880596

---

### Thermal insulation

---

#### Thermal insulation shell

Thermal insulation shell	4206066
--------------------------	---------

---

## Electrical accessories

### Pump control

---

#### Timer switch SK 601N

Switchgear SK 601N	2120443
--------------------	---------

---

### Plug

---

#### Angle plug

Angle plug	4150229
------------	---------

---

#### Connector

Wilo-Connector	4200870
----------------	---------

## Services

With Wilo as your partner, you can not only be sure of choosing high-quality product solutions, but also of benefiting from a comprehensive, worry-free package of well thought-out services. We collaborate to develop a service concept tailored to your individual needs; with our expertise and personal consultancy, we make sure that the operation of your systems is as energy-efficient, reliable and economical as possible. All the while our competent Wilo service technicians are ready to assist you with fast, reliable and on-time support.

### Recommended services

---

Wilo-Live Assistant Service	2216415
-----------------------------	---------

---

System Optimisation Glandless pumps	2219250
-------------------------------------	---------

---

Energy Solutions Glandless pumps	2219285
----------------------------------	---------

### More suitable services

---

Extended Warranty Glandless pumps	2219589
-----------------------------------	---------

---

Supervision Glandless pumps	2219320
-----------------------------	---------

---

Installation Glandless pumps	2219355
------------------------------	---------

---

Commissioning Glandless pumps	2219390
-------------------------------	---------

---

Maintenance BASIC Glandless pumps	2219530
Maintenance COMFORT Glandless pumps	2219416
Maintenance PREMIUM Glandless pumps	2219545

---

Repair Glandless pumps	2219609
------------------------	---------



## Data sheet

### Hydraulic data

Maximum operating pressure $P_N$	10 bar
Head max $H_{max}$	4.3 m
Flow max $Q_{max}$	2.7 m <sup>3</sup> /h
Minimum suction head at 50 °C $m$	0.5 m
Minimum suction head at 95 °C $m$	3 m
Minimum suction head at 110 °C	10 m
Min. fluid temperature $T_{min}$	-10 °C
Max. fluid temperature $T_{max}$	95 °C
Max. fluid temperature at max. ambient temperature of +25 °C $T_{max}$	95 °C
Max. fluid temperature at max. ambient temperature of +40 °C $T_{max}$	95 °C
Min. ambient temperature $T_{min}$	-10 °C
Max. ambient temperature $T_{max}$	40 °C

### Motor data

Energy efficiency index (EEI)	≤0.18
Mains connection	1~230 V ±10%, 50/60 Hz
Rated power $P_2$	15 W
Min. speed $n_{min}$	700 1/min
Max. speed $n_{max}$	3400 1/min
Power consumption $P_{1 min}$	4 W
Power consumption $P_{1 max}$	20 W
Emitted interference	EN 61000-6-3
Interference resistance	EN 61000-6-2
Electromagnetic compatibility	EN 61800-3
Threaded cable connection	1 x PG11
Insulation class	F
Protection class	IPX4D

### Materials

Pump housing	Grey cast iron
Impeller	PP-GF40
Shaft	Stainless steel
Bearing	Carbon, metal-impregnated

### Installation dimensions

Pipe connection on the discharge side $DNd$	G 2
Pipe connection on the suction side $DNs$	G 2
Port-to-port length $L0$	180 mm



## Equipment/function

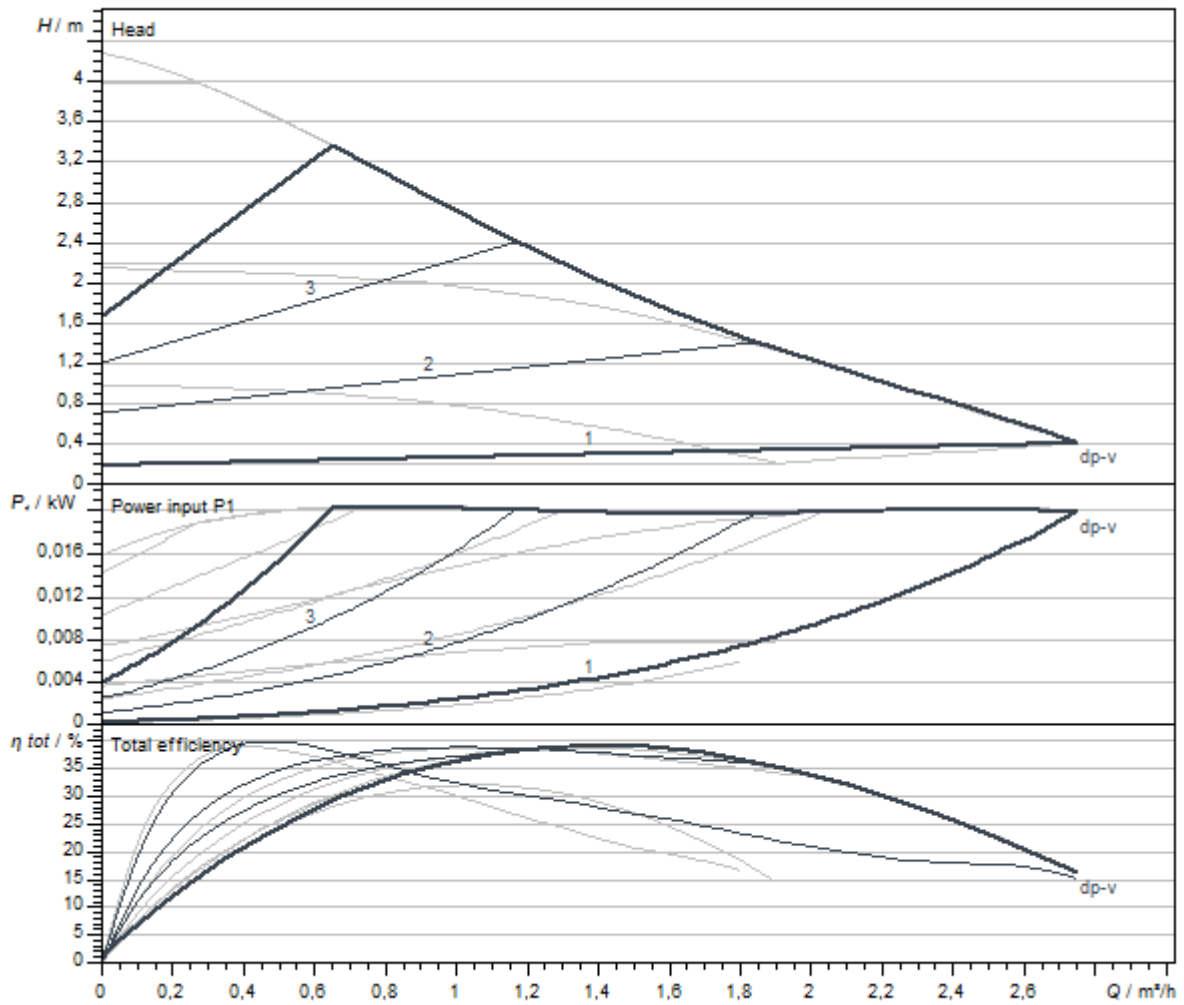
### Function

Control mode	$\Delta p$ -v for variable differential pressure
	$\Delta p$ -c for constant differential pressure
	Constant speed (3 speed stages)
Display	Setpoint
	Actual volume flow
	Actual power consumption
	Fault signals (error codes)
Pump venting function	Manually activated restart or pump venting function
	Manual

### Equipment

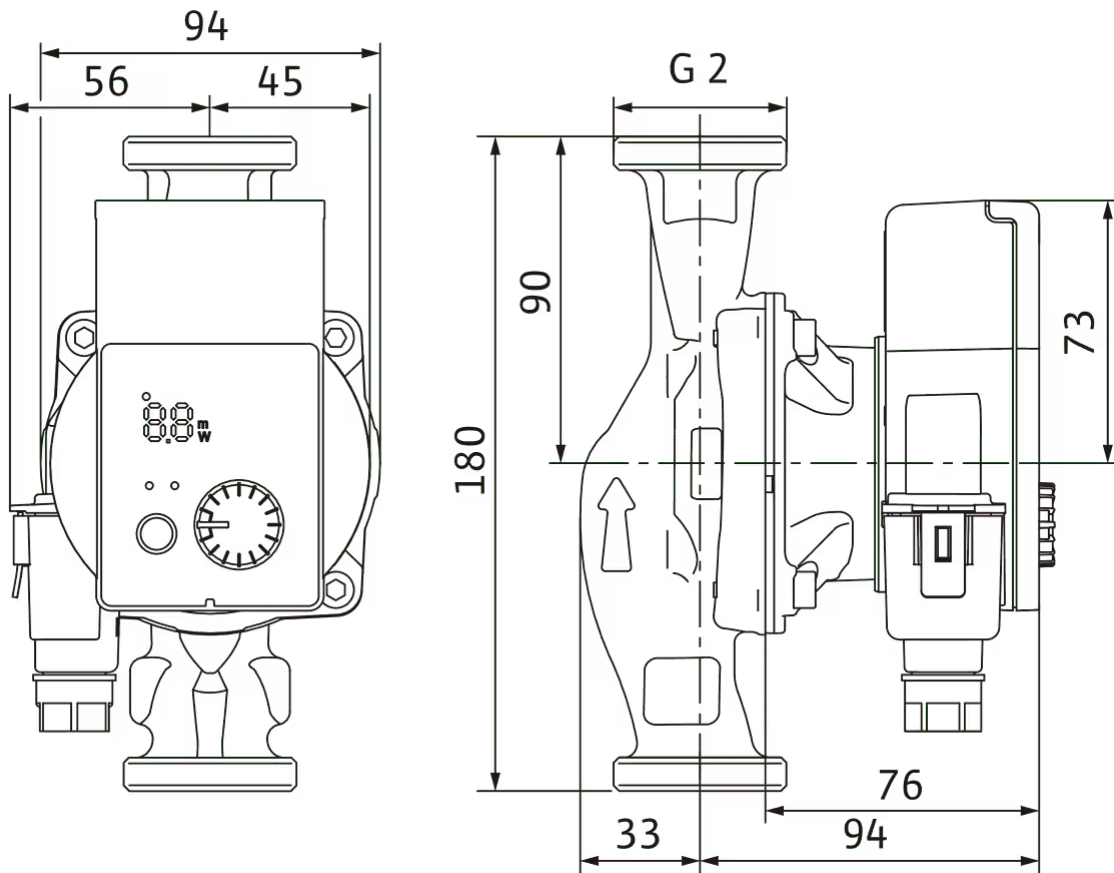
Approvals and labels	CE
	VDE
	EAC
Display	LED segment display
Display information	Basic Version: LED display (small) for showing the set head or speed stage.
Pump control	Electronic-controlled pump
Quick electrical connection	Wilo Connector
Thermal insulation shell	As accessory
Blocking-current proof motor	yes
Particle filter	yes
Operating elements	Green button

Pump curves

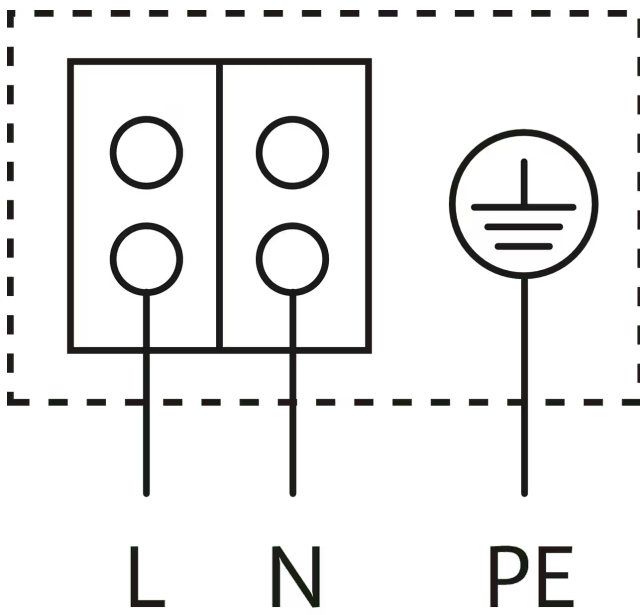


Dimensions and dimensions drawings

Wilo-Yonos PICO 30/1-4 PN 10



Wiring diagram



Blocking current-proof motor

Single-phase motor (EM) 2-pole - 1~230 V, 50 Hz

## Tender text

High-efficiency pump Wilo-Yonos PICO, electronically controlled. Maintenance-free glandless circulator with screwed connection, blocking-current proof synchronous motor according to ECM technology and built-in electronic power control for variable differential pressure control. Can be used for all heating and air-conditioning applications. Control mode can be selected in accordance with the radiator/underfloor heating application.

Standard-equipped with:

- > Preselectable control modes for optimum load adjustment: Differential pressure constant ( $\Delta p$ -c), differential pressure variable ( $\Delta p$ -v), constant speed (3 pump curves)
- > Integrated motor protection

- > LED for setting the setpoint, displaying the current consumption in watts and the flow rate in  $m^3/h$
- > Automatic deblocking function
- > Manual pump venting function for venting the rotor chamber
- > Manual restart

## Operating Data

Min. fluid temperature $T_{min}$	-10 °C
Max. fluid temperature $T_{max}$	95 °C
Min. ambient temperature $T_{min}$	-10 °C
Max. ambient temperature $T_{max}$	40 °C
Maximum operating pressure $PN$	10 bar
Minimum suction head at 50 °C $m$	0.5 m
Minimum suction head at 95 °C $m$	3 m
Minimum suction head at 110 °C	10 m

## Motor data

Energy efficiency index (EEI)	$\leq 0.18$
Emitted interference	EN 61000-6-3
Interference resistance	EN 61000-6-2
Mains connection	1~230 V, 50/60 Hz
Power consumption $P_{1\ max}$	20 W
Min. speed $n_{min}$	700 1/min
Max. speed $n_{max}$	3400 1/min
Protection class motor	IPX4D
Threaded cable connection	1 x PG11


## Materials

Pump housing	Grey cast iron
Impeller	PP-GF40
Shaft	Stainless steel
Bearing	Carbon, metal-impregnated

## Installation dimensions

Pipe connection on the suction side $DNs$	G 2
Pipe connection on the discharge side $DNd$	G 2
Port-to-port length $L0$	180 mm

## Ordering information

Brand	Wilo
Product description	Yonos PICO 30/1-4
Net weight, approx. $m$	2 kg
Article number	<b>4215519</b> 

## Mechanical accessories

### Pipe installation

#### Screwed connections/adapters

Screwed connection Rp 1¼ x G 2, 48 Set	112047390
Screwed connection Rp 1¼ x G 2, 1 Set	4092742

### Pipe installation, adapter fitting

#### Flanged rings RF

Flanged ring RF 1, PN6	110627990
Flanged ring RF 0, PN6	110679796
Flanged ring RF 11, PN6	110679899
Flanged ring RF 2, PN6	110680298
Flanged ring RF 3, PN6	110680596
Flanged ring RF 4, PN6	110680699
Flanged ring RF 4, PN10/16	110680791
Flanged ring RF 8, PN6	110680997
Flanged ring RF 5, PN6	110787197
Flanged ring RF 6, PN6	110787290
Flanged ring RF 5, PN10/16	110791299
Flanged ring RF 6, PN10/16	110791391
Flanged ring RF 12, PN6	110851797

#### Threaded adapter R

Threaded adapter R 8, GG	110627199
Threaded adapter R 9, GG	110627291
Threaded adapter R 10, GG	110627394
Threaded adapter R 14, GG	110627497
Threaded adapter R 11, GG	110627590

### Thermal insulation

#### Thermal insulation shell

Thermal insulation shell	4206066
--------------------------	---------

## Electrical accessories

### Pump control

---

#### Timer switch SK 601N

Switchgear SK 601N	2120443
--------------------	---------

---

### Plug

---

#### Angle plug

Angle plug	4150229
------------	---------

---

#### Connector

Wilo-Connector	4200870
----------------	---------

## Services

With Wilo as your partner, you can not only be sure of choosing high-quality product solutions, but also of benefiting from a comprehensive, worry-free package of well thought-out services. We collaborate to develop a service concept tailored to your individual needs; with our expertise and personal consultancy, we make sure that the operation of your systems is as energy-efficient, reliable and economical as possible. All the while our competent Wilo service technicians are ready to assist you with fast, reliable and on-time support.

### Recommended services

---

Wilo-Live Assistant Service	2216415
System Optimisation Glandless pumps	2219250
Energy Solutions Glandless pumps	2219285

### More suitable services

---

Extended Warranty Glandless pumps	2219589
Supervision Glandless pumps	2219320
Installation Glandless pumps	2219355
Commissioning Glandless pumps	2219390
Maintenance BASIC Glandless pumps	2219530
Maintenance COMFORT Glandless pumps	2219416
Maintenance PREMIUM Glandless pumps	2219545
Repair Glandless pumps	2219609





## Data sheet

### Hydraulic data

Maximum operating pressure $P_N$	10 bar
Head max $H_{max}$	6.0 m
Flow max $Q_{max}$	3.6 m <sup>3</sup> /h
Minimum suction head at 50 °C $m$	0.5 m
Minimum suction head at 95 °C $m$	3 m
Minimum suction head at 110 °C	10 m
Min. fluid temperature $T_{min}$	-10 °C
Max. fluid temperature $T_{max}$	95 °C
Max. fluid temperature at max. ambient temperature of +25 °C $T_{max}$	95 °C
Max. fluid temperature at max. ambient temperature of +40 °C $T_{max}$	95 °C
Min. ambient temperature $T_{min}$	-10 °C
Max. ambient temperature $T_{max}$	40 °C

### Motor data

Energy efficiency index (EEI)	≤0.20
Mains connection	1~230 V ±10%, 50/60 Hz
Rated power $P_2$	30 W
Min. speed $n_{min}$	700 1/min
Max. speed $n_{max}$	4200 1/min
Power consumption $P_{1 min}$	4 W
Power consumption $P_{1 max}$	40 W
Emitted interference	EN 61000-6-3
Interference resistance	EN 61000-6-2
Electromagnetic compatibility	EN 61800-3
Threaded cable connection	1 x PG11
Insulation class	F
Protection class	IPX4D

### Materials

Pump housing	Grey cast iron
Impeller	PP-GF40
Shaft	Stainless steel
Bearing	Carbon, metal-impregnated

### Installation dimensions

Pipe connection on the discharge side $DNd$	G 2
Pipe connection on the suction side $DNs$	G 2
Port-to-port length $L0$	180 mm

## Equipment/function

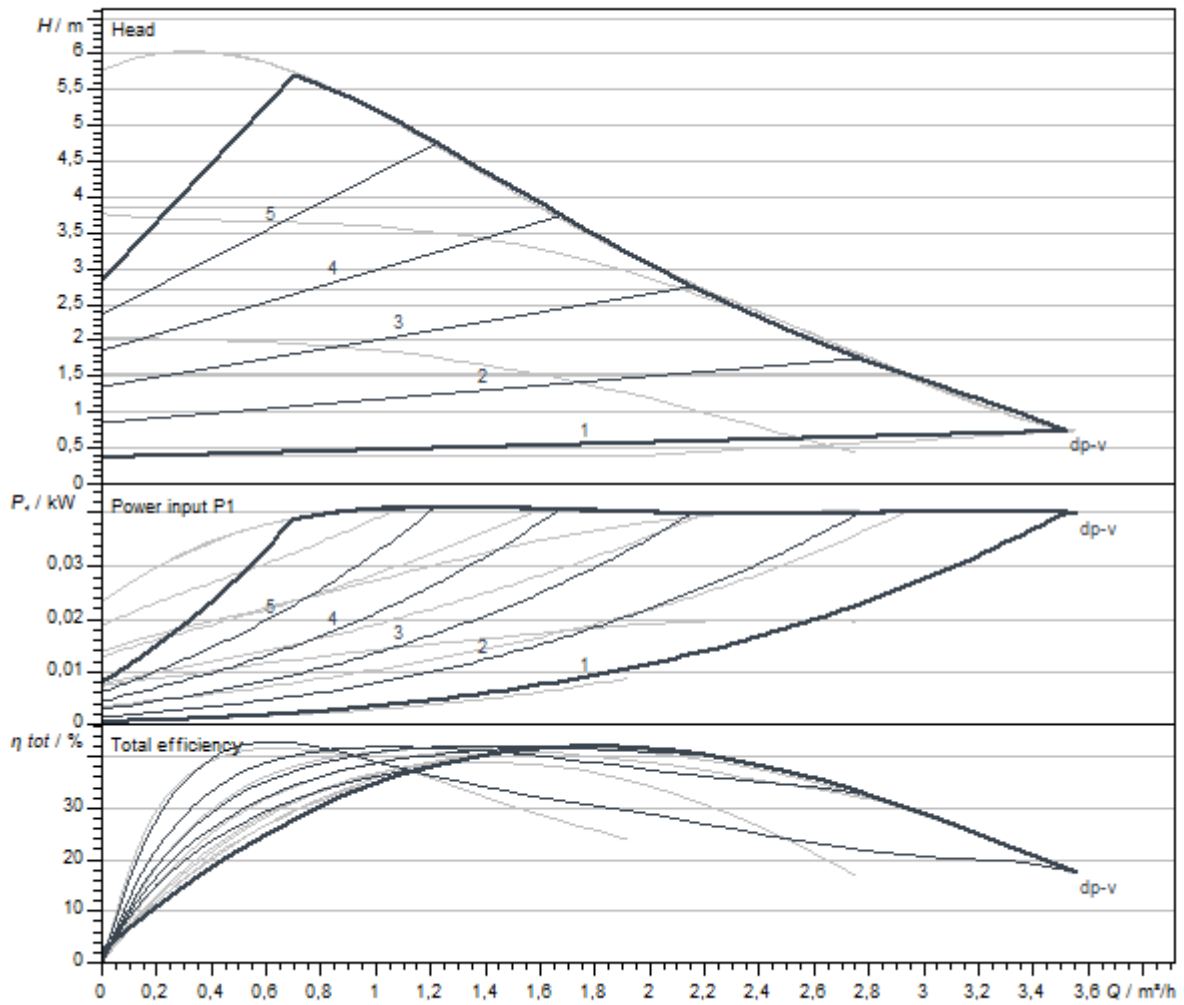
### Function

Control mode	$\Delta p$ -v for variable differential pressure
	$\Delta p$ -c for constant differential pressure
	Constant speed (3 speed stages)
Display	Setpoint
	Actual volume flow
	Actual power consumption
	Fault signals (error codes)
Pump venting function	Manually activated restart or pump venting function
	Manual

### Equipment

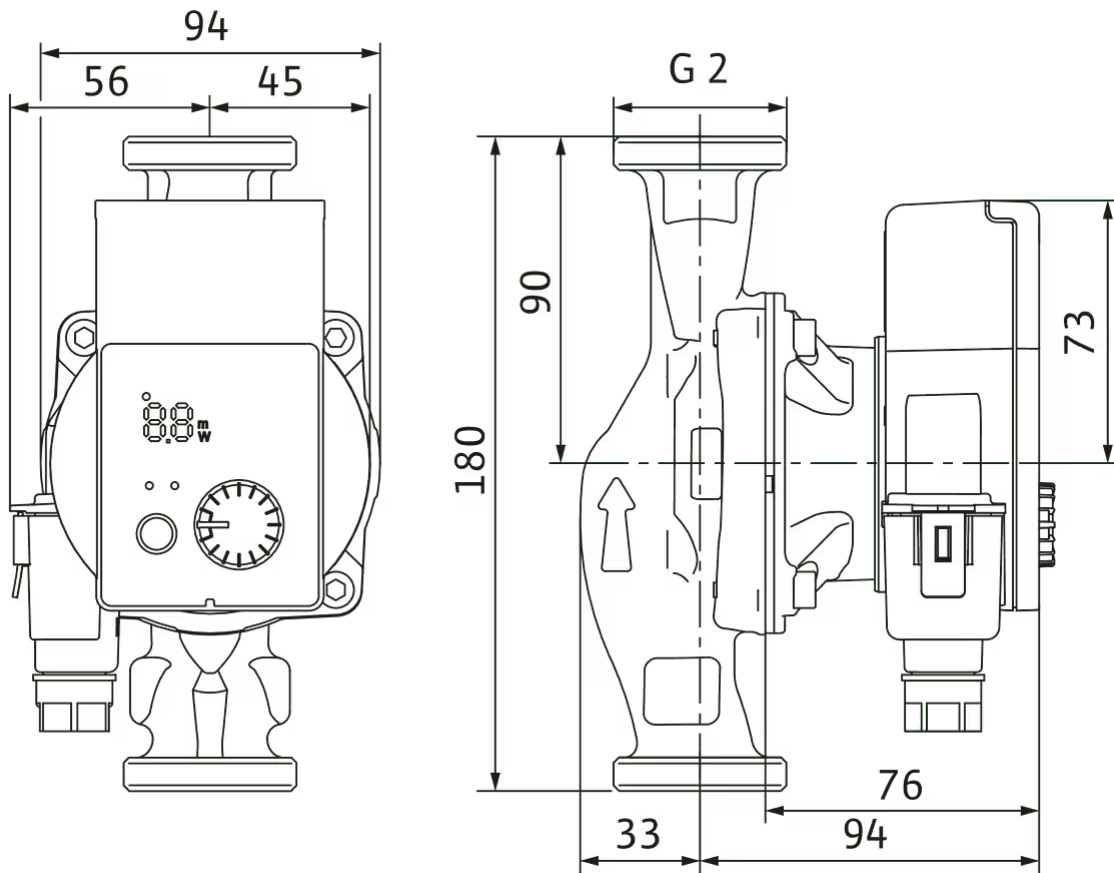
Approvals and labels	CE
	VDE
	EAC
Display	LED segment display
Display information	Basic Version: LED display (small) for showing the set head or speed stage.
Pump control	Electronic-controlled pump
Quick electrical connection	Wilo Connector
Thermal insulation shell	As accessory
Blocking-current proof motor	yes
Particle filter	yes
Operating elements	Green button

Pump curves

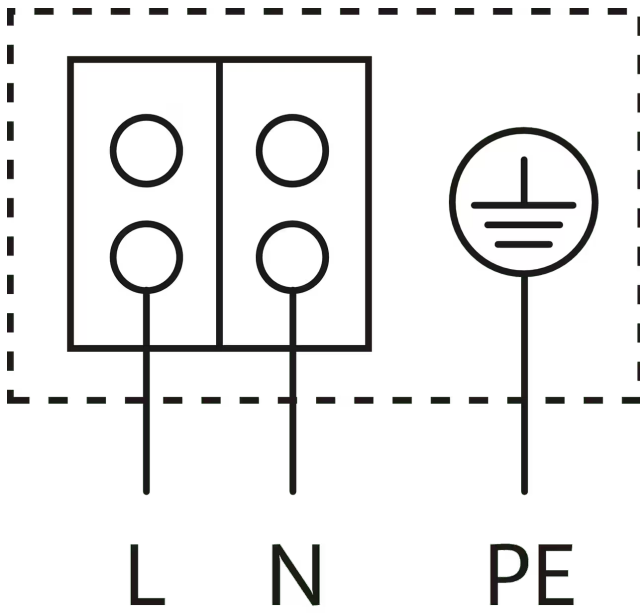


Dimensions and dimensions drawings

Wilo-Yonos PICO 30/1-6 PN 10



Wiring diagram



Blocking current-proof motor

Single-phase motor (EM) 2-pole - 1~230 V, 50 Hz

## Tender text

High-efficiency pump Wilo-Yonos PICO, electronically controlled. Maintenance-free glandless circulator with screwed connection, blocking-current proof synchronous motor according to ECM technology and built-in electronic power control for variable differential pressure control. Can be used for all heating and air-conditioning applications. Control mode can be selected in accordance with the radiator/underfloor heating application.

Standard-equipped with:

- > Preselectable control modes for optimum load adjustment: Differential pressure constant ( $\Delta p$ -c), differential pressure variable ( $\Delta p$ -v), constant speed (3 pump curves)
- > Integrated motor protection

- > LED for setting the setpoint, displaying the current consumption in watts and the flow rate in  $m^3/h$
- > Automatic deblocking function
- > Manual pump venting function for venting the rotor chamber
- > Manual restart

## Operating Data

Min. fluid temperature $T_{min}$	-10 °C
Max. fluid temperature $T_{max}$	95 °C
Min. ambient temperature $T_{min}$	-10 °C
Max. ambient temperature $T_{max}$	40 °C
Maximum operating pressure $PN$	10 bar
Minimum suction head at 50 °C $m$	0.5 m
Minimum suction head at 95 °C $m$	3 m
Minimum suction head at 110 °C	10 m

## Motor data

Energy efficiency index (EEI)	$\leq 0.20$
Emitted interference	EN 61000-6-3
Interference resistance	EN 61000-6-2
Mains connection	1~230 V, 50/60 Hz
Power consumption $P_{1\ max}$	40 W
Min. speed $n_{min}$	700 1/min
Max. speed $n_{max}$	4200 1/min
Protection class motor	IPX4D
Threaded cable connection	1 x PG11


## Materials

Pump housing	Grey cast iron
Impeller	PP-GF40
Shaft	Stainless steel
Bearing	Carbon, metal-impregnated

## Installation dimensions

Pipe connection on the suction side $DNs$	G 2
Pipe connection on the discharge side $DNd$	G 2
Port-to-port length $L0$	180 mm

## Ordering information

Brand	Wilo
Product description	Yonos PICO 30/1-6
Net weight, approx. $m$	2 kg
Article number	<b>4215520</b> 

## Mechanical accessories

### Pipe installation

#### Screwed connections/adapters

Screwed connection Rp 1¼ x G 2, 48 Set	112047390
Screwed connection Rp 1¼ x G 2, 1 Set	4092742

### Pipe installation, adapter fitting

#### Flanged rings RF

Flanged ring RF 1, PN6	110627990
Flanged ring RF 0, PN6	110679796
Flanged ring RF 11, PN6	110679899
Flanged ring RF 2, PN6	110680298
Flanged ring RF 3, PN6	110680596
Flanged ring RF 4, PN6	110680699
Flanged ring RF 4, PN10/16	110680791
Flanged ring RF 8, PN6	110680997
Flanged ring RF 5, PN6	110787197
Flanged ring RF 6, PN6	110787290
Flanged ring RF 5, PN10/16	110791299
Flanged ring RF 6, PN10/16	110791391
Flanged ring RF 12, PN6	110851797

#### Threaded adapter R

Threaded adapter R 8, GG	110627199
Threaded adapter R 9, GG	110627291
Threaded adapter R 10, GG	110627394
Threaded adapter R 14, GG	110627497
Threaded adapter R 11, GG	110627590

### Thermal insulation

#### Thermal insulation shell

Thermal insulation shell	4206066
--------------------------	---------

## Electrical accessories

### Pump control

---

#### Timer switch SK 601N

Switchgear SK 601N	2120443
--------------------	---------

---

### Plug

---

#### Angle plug

Angle plug	4150229
------------	---------

---

#### Connector

Wilo-Connector	4200870
----------------	---------



## Services

With Wilo as your partner, you can not only be sure of choosing high-quality product solutions, but also of benefiting from a comprehensive, worry-free package of well thought-out services. We collaborate to develop a service concept tailored to your individual needs; with our expertise and personal consultancy, we make sure that the operation of your systems is as energy-efficient, reliable and economical as possible. All the while our competent Wilo service technicians are ready to assist you with fast, reliable and on-time support.

### Recommended services

---

Wilo-Live Assistant Service	2216415
-----------------------------	---------

---

System Optimisation Glandless pumps	2219250
-------------------------------------	---------

---

Energy Solutions Glandless pumps	2219285
----------------------------------	---------

### More suitable services

---

Extended Warranty Glandless pumps	2219589
-----------------------------------	---------

---

Supervision Glandless pumps	2219320
-----------------------------	---------

---

Installation Glandless pumps	2219355
------------------------------	---------

---

Commissioning Glandless pumps	2219390
-------------------------------	---------

---

Maintenance BASIC Glandless pumps	2219530
-----------------------------------	---------

Maintenance COMFORT Glandless pumps	2219416
-------------------------------------	---------

Maintenance PREMIUM Glandless pumps	2219545
-------------------------------------	---------

---

Repair Glandless pumps	2219609
------------------------	---------



## Data sheet

### Hydraulic data

Maximum operating pressure $P_N$	10 bar
Head max $H_{max}$	7.6 m
Flow max $Q_{max}$	4.4 m <sup>3</sup> /h
Minimum suction head at 50 °C $m$	0.5 m
Minimum suction head at 95 °C $m$	3 m
Minimum suction head at 110 °C	10 m
Min. fluid temperature $T_{min}$	-10 °C
Max. fluid temperature $T_{max}$	95 °C
Max. fluid temperature at max. ambient temperature of +25 °C $T_{max}$	95 °C
Max. fluid temperature at max. ambient temperature of +40 °C $T_{max}$	95 °C
Min. ambient temperature $T_{min}$	-10 °C
Max. ambient temperature $T_{max}$	40 °C

### Motor data

Energy efficiency index (EEI)	≤0.23
Mains connection	1~230 V ±10%, 50/60 Hz
Rated power $P_2$	58 W
Min. speed $n_{min}$	500 1/min
Max. speed $n_{max}$	4800 1/min
Power consumption $P_{1 min}$	4 W
Power consumption $P_{1 max}$	75 W
Emitted interference	EN 61000-6-3
Interference resistance	EN 61000-6-2
Electromagnetic compatibility	EN 61800-3
Threaded cable connection	1 x PG11
Insulation class	F
Protection class	IPX4D

### Materials

Pump housing	Grey cast iron
Impeller	PP-GF40
Shaft	Stainless steel
Bearing	Carbon, metal-impregnated

### Installation dimensions

Pipe connection on the discharge side $DNd$	G 2
Pipe connection on the suction side $DN_s$	G 2
Port-to-port length $L_0$	180 mm

## Equipment/function

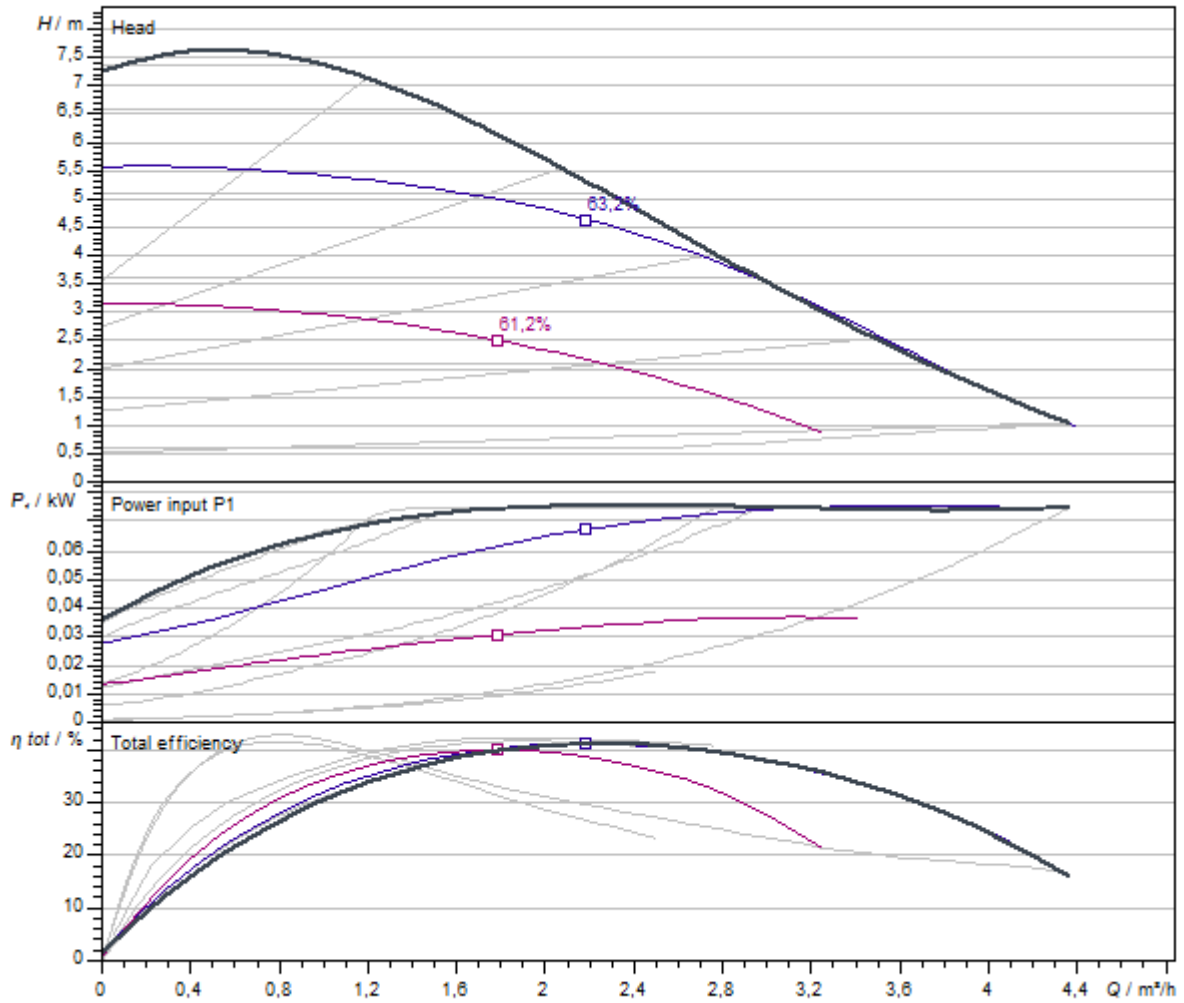
### Function

Control mode	$\Delta p$ -v for variable differential pressure
	$\Delta p$ -c for constant differential pressure
	Constant speed (3 speed stages)
Display	Setpoint
	Actual volume flow
	Actual power consumption
	Fault signals (error codes)
Pump venting function	Manually activated restart or pump venting function
	Manual

### Equipment

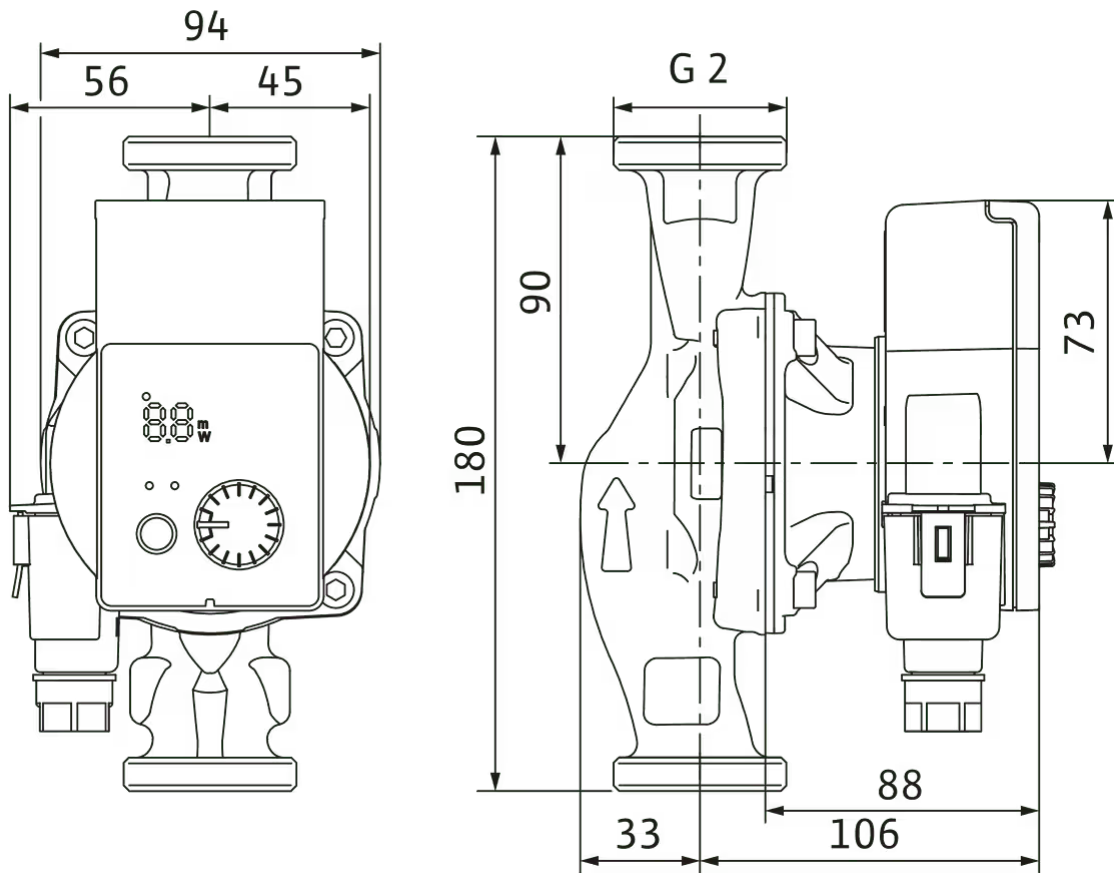
Approvals and labels	CE
	VDE
	EAC
Display	LED segment display
Display information	Basic Version: LED display (small) for showing the set head or speed stage.
Pump control	Electronic-controlled pump
Quick electrical connection	Wilo Connector
Thermal insulation shell	As accessory
Blocking-current proof motor	yes
Particle filter	yes
Operating elements	Green button

Pump curves

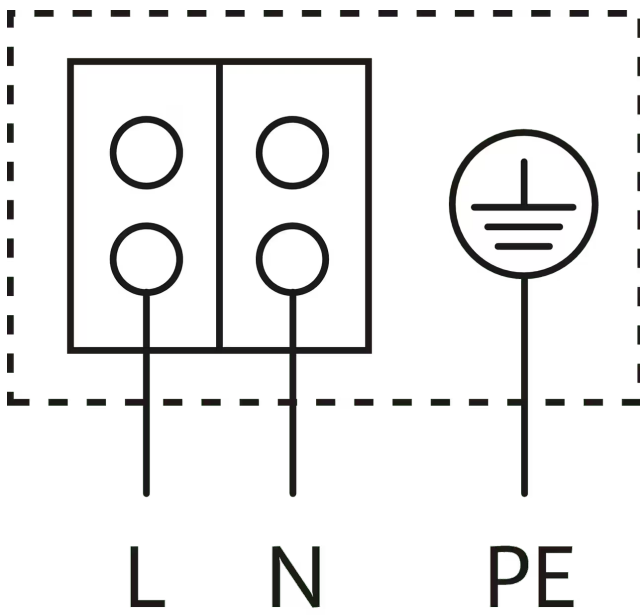


Dimensions and dimensions drawings

Wilo-Yonos PICO 30/1-8 PN 10



Wiring diagram



Blocking current-proof motor

Single-phase motor (EM) 2-pole - 1~230 V, 50 Hz

## Tender text

High-efficiency pump Wilo-Yonos PICO, electronically controlled. Maintenance-free glandless circulator with screwed connection, blocking-current proof synchronous motor according to ECM technology and built-in electronic power control for variable differential pressure control. Can be used for all heating and air-conditioning applications. Control mode can be selected in accordance with the radiator/underfloor heating application.

Standard-equipped with:

- > Preselectable control modes for optimum load adjustment: Differential pressure constant ( $\Delta p$ -c), differential pressure variable ( $\Delta p$ -v), constant speed (3 pump curves)
- > Integrated motor protection

- > LED for setting the setpoint, displaying the current consumption in watts and the flow rate in  $m^3/h$
- > Automatic deblocking function
- > Manual pump venting function for venting the rotor chamber
- > Manual restart

## Operating Data

Min. fluid temperature $T_{min}$	-10 °C
Max. fluid temperature $T_{max}$	95 °C
Min. ambient temperature $T_{min}$	-10 °C
Max. ambient temperature $T_{max}$	40 °C
Maximum operating pressure $PN$	10 bar
Minimum suction head at 50 °C $m$	0.5 m
Minimum suction head at 95 °C $m$	3 m
Minimum suction head at 110 °C	10 m

## Motor data

Energy efficiency index (EEI)	$\leq 0.23$
Emitted interference	EN 61000-6-3
Interference resistance	EN 61000-6-2
Mains connection	1~230 V, 50/60 Hz
Power consumption $P_{1 max}$	75 W
Min. speed $n_{min}$	500 1/min
Max. speed $n_{max}$	4800 1/min
Protection class motor	IPX4D
Threaded cable connection	1 x PG11


## Materials

Pump housing	Grey cast iron
Impeller	PP-GF40
Shaft	Stainless steel
Bearing	Carbon, metal-impregnated

## Installation dimensions

Pipe connection on the suction side $DN_s$	G 2
Pipe connection on the discharge side $DN_d$	G 2
Port-to-port length $L_0$	180 mm

## Ordering information

Brand	Wilo
Product description	Yonos PICO 30/1-8
Net weight, approx. $m$	2.2 kg
Article number	<b>4215521</b> 

## Mechanical accessories

### Pipe installation

#### Screwed connections/adapters

Screwed connection Rp 1¼ x G 2, 48 Set	112047390
Screwed connection Rp 1¼ x G 2, 1 Set	4092742

### Pipe installation, adapter fitting

#### Flanged rings RF

Flanged ring RF 1, PN6	110627990
Flanged ring RF 0, PN6	110679796
Flanged ring RF 11, PN6	110679899
Flanged ring RF 2, PN6	110680298
Flanged ring RF 3, PN6	110680596
Flanged ring RF 4, PN6	110680699
Flanged ring RF 4, PN10/16	110680791
Flanged ring RF 8, PN6	110680997
Flanged ring RF 5, PN6	110787197
Flanged ring RF 6, PN6	110787290
Flanged ring RF 5, PN10/16	110791299
Flanged ring RF 6, PN10/16	110791391
Flanged ring RF 12, PN6	110851797

#### Threaded adapter R

Threaded adapter R 8, GG	110627199
Threaded adapter R 9, GG	110627291
Threaded adapter R 10, GG	110627394
Threaded adapter R 14, GG	110627497
Threaded adapter R 11, GG	110627590

### Thermal insulation

#### Thermal insulation shell

Thermal insulation shell	4206066
--------------------------	---------



## Electrical accessories

### Pump control

---

#### Timer switch SK 601N

Switchgear SK 601N	2120443
--------------------	---------

---

### Plug

---

#### Angle plug

Angle plug	4150229
------------	---------

---

#### Connector

Wilo-Connector	4200870
----------------	---------

## Services

With Wilo as your partner, you can not only be sure of choosing high-quality product solutions, but also of benefiting from a comprehensive, worry-free package of well thought-out services. We collaborate to develop a service concept tailored to your individual needs; with our expertise and personal consultancy, we make sure that the operation of your systems is as energy-efficient, reliable and economical as possible. All the while our competent Wilo service technicians are ready to assist you with fast, reliable and on-time support.

### Recommended services

---

Wilo-Live Assistant Service	2216415
-----------------------------	---------

---

System Optimisation Glandless pumps	2219250
-------------------------------------	---------

---

Energy Solutions Glandless pumps	2219285
----------------------------------	---------

### More suitable services

---

Extended Warranty Glandless pumps	2219589
-----------------------------------	---------

---

Supervision Glandless pumps	2219320
-----------------------------	---------

---

Installation Glandless pumps	2219355
------------------------------	---------

---

Commissioning Glandless pumps	2219390
-------------------------------	---------

---

Maintenance BASIC Glandless pumps	2219530
-----------------------------------	---------

Maintenance COMFORT Glandless pumps	2219416
-------------------------------------	---------

Maintenance PREMIUM Glandless pumps	2219545
-------------------------------------	---------

---

Repair Glandless pumps	2219609
------------------------	---------

Pioneering for You

**wilo**

WILO SE  
Wilopark 1  
44263 Dortmund  
Germany  
T +49 231 4102-0  
F +49 231 4102-7363  
wilo@wilo.com  
www.wilo.com

More contact details at [www.wilo.com](http://www.wilo.com)