

# LNTSX 125-340/110/404CC4

## Technical data

Company name  
Contact  
Phone number  
e-mail address

Operating data					
1	Pumpe type	In-Line Twin head	Fluid	Water, pure	
2	No. of pumps	1	Operating temperature t A	°C	4
3	Nominal flow	m <sup>3</sup> /h 0	pH-value at t A		7
4	Nominal head	m 0	Density at t A	kg/m <sup>3</sup>	1000
5	Static head	m 0	Vapor pressure at t A	kPa	100
6	Inlet pressure	kPa 0	Kin. viscosity at t A	mm <sup>2</sup> /s	1.569
7	Environmental temperature	°C 20	Altitude		0
8	Available system NPSH	m 0			

Pump data		
9	Product version	[X] - Hydrovar X+
10	Operating speed	
11	Stages	1
12	Max. working pressure	kPa 319.3
13	Head H(Q=0)	m 33
14	Power input P1(max)	kW 12
15	Total weight	kg 431.0
16	Power input	kW
17	Overall efficiency	%
18	Shaft power	kW
19	Pump efficiency	%
20	NPSH 3%	m
21		

Materials				
	Pump		Shaft Seal	
22			Single mechanical seal, without shaft sleeve	
23	Impeller	Cast iron, 0.6020		
24	Casing	Cast iron, 0.6025	eMG12 - Ø38mm	BQ7EGG-WA
25	casing cover	Cast iron, 0.6025		
26	Wear ring	stainless steel, 1.4301 (1.4408)	1. Rotating ring	Carbon graphite resin impregnated
27	Shaft	Stainless steel, 1.4057	2. Stationary ring	SiC, silicon carbide, sintered press. less
28	O-ring	EPDM	3. Secondary seal	Ethylene propylene rubber (EPDM)
29	Bearing frame	Cast iron, 0.6025	4. Springs	CrNiMo - Steel
30			5. Others	EPDM - WRAS
31			Gaskets of the pump	Ethylene propylene rubber (EPDM)
32				
33				
34				
35				
36				
37				
38				
39				
40				
41				

Motor data				
42	Manufacturer	Xylem	Rated voltage	380-480V
43	Specific design	IE5 Three phase motor	Rated current	24,5-22,8 A
44	Type	EXM160B5/4.110DH4	Motor efficiency @400V %	4/4: 92.1 3/4: 91.9 2/4: 91.2
45	Rated power	11 kW	Power factor @400V	0.74
46	Nominal speed	1800 rpm	Weight	kg 82.0
47	Frame size	160		
48	Size	D		

Remarks	
49	
50	
50	
52	

# LNTSX 125-340/110/404CC4

## Performance curve

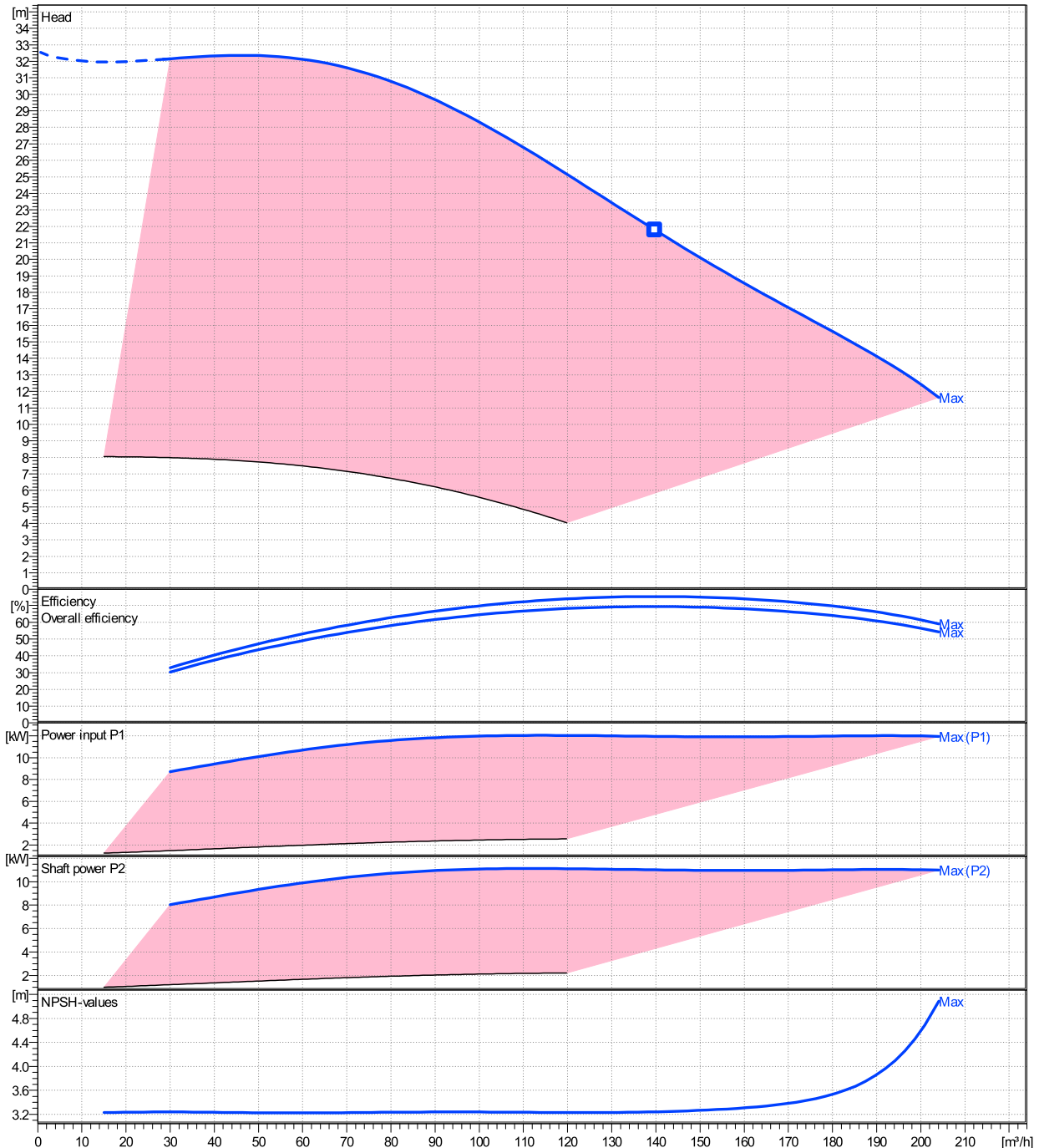
Company name  
Contact  
Phone number  
e-mail address

Ø	Pump capacity			Pump head		Frequency	Hz	50/60
	Operating range	η	η	H(Q=0)	η			
	Min. m³/h	Max. m³/h	Max. m³/h	m	m	Operating speed	rpm	
Max.	30	204	140	32.6	21.8	Nominal flow	m³/h	0
						Nominal head	m	0
						Inlet pressure	kPa	0
						Static head	m	0

**Power datas referred to:**

Water, pure [100%] ; 4°C; 1000kg/m³; 1.57mm²/s

hydr. Performance acceptance acc. To EN ISO 9906 Class 3B

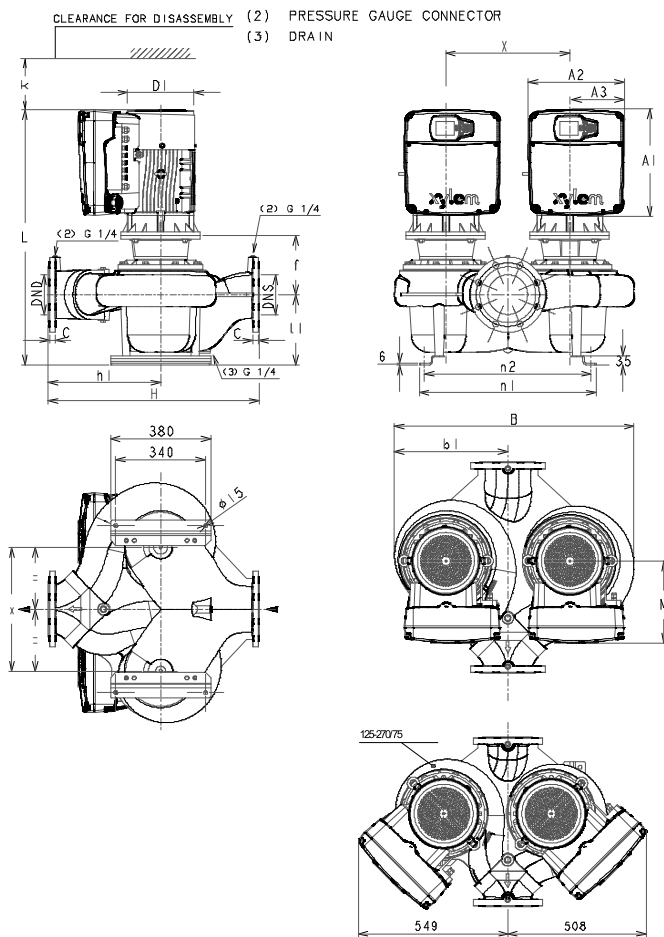


# LNTSX 125-340/110/404CC4

## Dimensions

Company name  
Contact  
Phone number  
e-mail address

[X] - Hydrovar X+  
EXM160B5/4.110DH4



Dimensions		[ mm ]	
A1	400		
A2	362		
A3	205		
B	1030		
b1	516		
D1	260		
DND	125		
DNS	125		
f	245		
H	800		
h1	450		
hmax	800		
IEC	160		
k	300		
L	990		
l1	230		
M	312		
n1	652		
n2	612		

### Weight

<b>Total weight</b>	<b>431 kg</b>
---------------------	---------------

Connections			
EN1092-2		EN1092-2	
DN125		DN125	
PN16		PN16	
C	26	C	26
D	255	D	255
d1	184	d1	184
K	210	K	210
L	8x19	L	8x19

### Dimensions and weight without obligation

<b>Project</b>	Xylect-20182322	<b>Created by</b>		<b>Last update</b>	6/17/2024
<b>Block</b>	LNTSX 125-340/110/404CC4	<b>Created on</b>	6/17/2024		

# LNTSX 125-340/110/404CC4

## Technical data

Company name  
Contact  
Phone number  
e-mail address



REF.	ITEM	DESCRIPTION	DEFAULT
1		Power supply +24 VDC, max. 60mA (total, terminals 1 + 5)	
2	Analog Input 1	Configurable Analog Input 1	Pressure Sensor 1
3		Electronic GND	
4	Not used	Internal use - Do not connect	
5		Power supply +24 VDC, max. 60mA (total, terminals 1 + 5)	
6	Analog Input 2	Configurable Analog Input 2	Not used
7		Electronic GND	
8	External Start/Stop	Start/Stop digital input, +24 VDC internal pull-up, 6mA contact current	-
9		Electronic GND	
10	External Lack of Water	Low water digital input, +24 VDC internal pull-up, 6mA contact current	-
11		Electronic GND	
12	Digital Input 3	Configurable Digital Input 3, +24 VDC internal pull-up, 6mA contact current	Solo Run
13		Electronic GND	
14	Analog Output	Configurable Analog Output	Motor Speed
15		Electronic GND	
16		Power supply +24 VDC, max. 60mA (total, terminals 16 and 19)	
17	Analog Input 3	Configurable Analog Input 3	Not used
18		Electronic GND	
19		Power supply +24 VDC, max. 60mA (total, terminals 16 and 19)	
20	Analog Input 4	Configurable Analog Input 4	Not used
21		Electronic GND	
22	Digital Input 4	Configurable Digital Input 4, +24 VDC internal pull-up, 6mA contact current	Not used
23		Electronic GND	
24	Digital Input 5	Configurable Digital Input 5, +24 VDC internal pull-up, 6mA contact current	Not used
25		Electronic GND	
26	10 VDC supply	Power supply +10 VDC, max. 3mA	-
27		Electronic GND	
28		RS485 port 1 : RS485-1B N (-)	
29	Communication bus 1	RS485 port 1 : RS485-1A P (+)	Multipump
30		RS485 port 1 : RS485-COM	
31		RS485 port 2 : RS485-2B N (-)	
32	Communication bus 2	RS485 port 2 : RS485-2A P (+)	Modbus
33		RS485 port 2 : RS485-COM	
34		RS485 port 1 : RS485-1B N (-)	
35	Communication bus 1	RS485 port 1 : RS485-1A P (+)	Multipump
36		RS485 port 1 : RS485-COM	
37		RS485 port 2 : RS485-2B N (-)	
38	Communication bus 2	RS485 port 2 : RS485-2A P (+)	Modbus
39		RS485 port 2 : RS485-COM	
40		Configurable relay 1: Normally Open	
41	Relay 1	Configurable relay 1: Normally Closed	Running
42		Configurable relay 1: Common Contact	
43		Configurable relay 2: Normally Open	
44	Relay 2	Configurable relay 2: Normally Closed	Error
45		Configurable relay 2: Common Contact	