



Data sheet

Hydraulic data

| | |
|-------------------------------------|-------------------------|
| Maximum operating pressure p | 2.9 bar |
| Discharge port | DN 100 |
| Free ball passage of the hydraulics | 80 mm |
| Impeller type | Single-channel impeller |
| Max. immersion depth | 20 m |
| Max. delivery head H_{\max} | 29.2 m |
| Max. volume flow Q_{\max} | 216.0 m ³ /h |
| Min. fluid temperature T_{\min} | 3 °C |
| Max. fluid temperature T_{\max} | 40 °C |
| Min. ambient temperature T_{\min} | 3 °C |
| Max. ambient temperature T_{\max} | 40 °C |

Motor data

| | |
|-----------------------------------|---------------------|
| Motor Identifier | T 20.1-4/22GEx 15kW |
| Mains connection | 3~400 V, 50 Hz |
| Voltage tolerance | ±10 % |
| Rated power P_2 | 15 kW |
| Power consumption $P_{1 \max}$ | 18.10 kW |
| Rated current I_N | 30.5 A |
| Starting current I | 30 A |
| Operating mode (immersed) | S1 |
| Operating mode (non-immersed) | S2-15 min |
| Rated speed n | 1425 1/min |
| Power factor $\cos \varphi_{100}$ | 0.86 |
| Activation type | Star-Delta (YΔ) |
| Number of poles | 4 |
| Max. switching frequency t | 15 1/h |
| Insulation class | H |
| Protection class motor | IP68 |

Cable

| | |
|-----------------------------|-------------------------------|
| Connection cable length L | 10 m |
| Cable type | NSSHÖU-J |
| Cable cross-section | 7x2,5 + 7x1,5 mm ² |
| Type of connection cable | Non-detachable |

Equipment/function

| | |
|------------------------------------|----------|
| Mains plug | no |
| Float switch | no |
| Macerator | no |
| Explosion protection type | ATEX |
| Motor protection | Bimetall |
| Motor, leakage detection | yes |
| Sealing chamber, leakage detection | optional |
| Leakage chamber, leakage detection | yes |

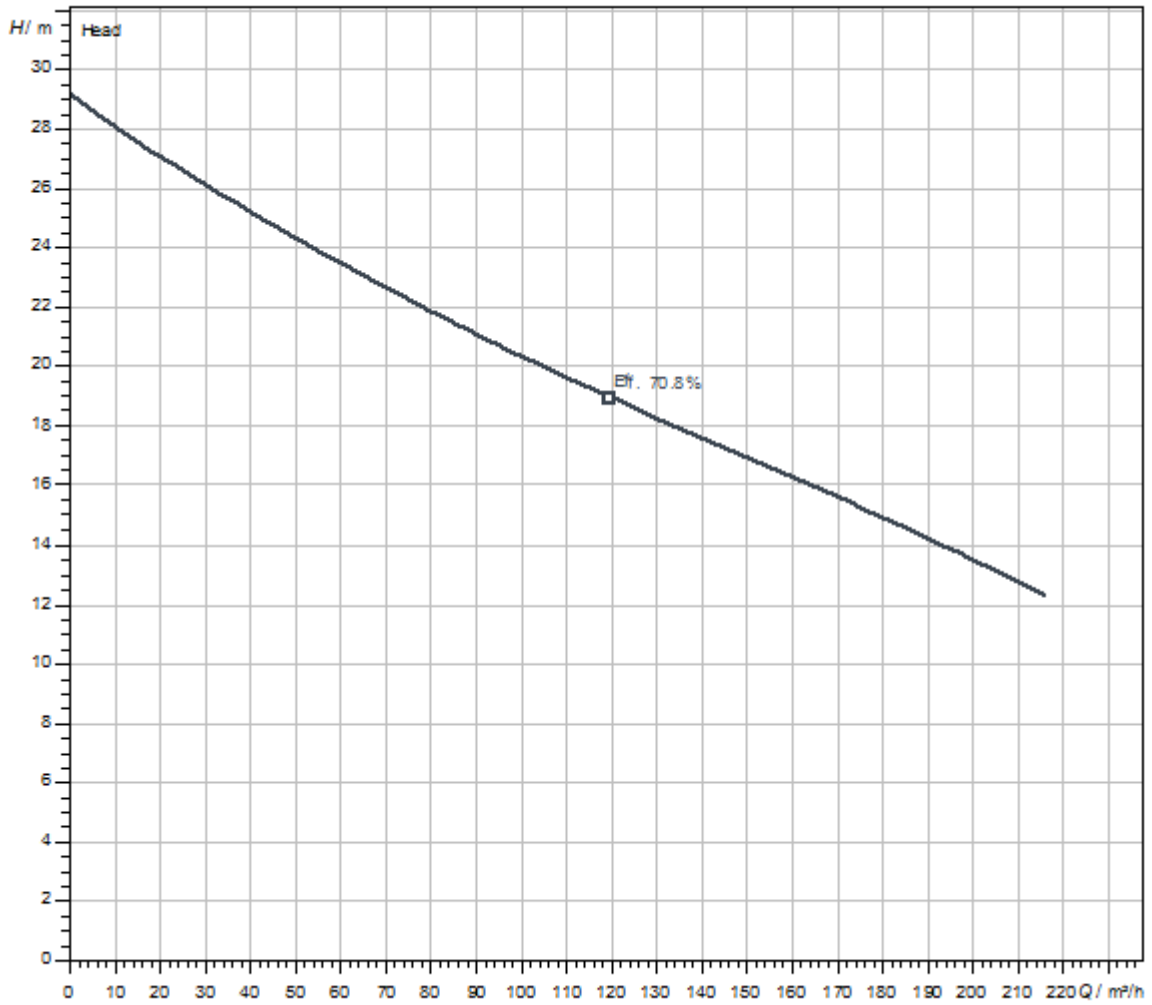
Materials

| | |
|-----------------------|-------------------|
| Pump housing | Grey cast iron |
| Impeller | Ductile cast iron |
| Shaft | Stainless steel |
| Sealing on pump side | Silicon carbide |
| Sealing on motor side | NBR |
| Gasket material | NBR |
| Motor housing | Grey cast iron |

Installation dimensions

| | |
|-------------------|--------|
| Inlet connection | DN 100 |
| Outlet connection | DN 100 |

Pump curves



| | |
|---|-------------|
| Fluid media | Water 100 % |
| Fluid temperature <i>T</i> | 20.00 °C |
| speed at duty point <i>n hydr. @ OP</i> | 1,450 1/min |
| Impeller diameter <i>d imp.</i> | 278 mm |

Tender text

Fully submersible sewage pump for vertical wet well installation, for pumping sewage containing faeces, as well as municipal and industrial sewage. Unit made entirely of cast iron; on pump-side seal made of SiC/SiC, seal on the motor side is a rotary shaft seal or mechanical seal. Pressure connection with horizontal pressure port and flange connection. Surface-cooled

motor in three-phase current version with thermal motor monitoring, sealing and leakage chamber and Ex rating. The leakage chamber is monitored using a float switch. As an option, the sealing chamber can be monitored by an external pencil electrode. Longitudinally watertight connection cable with bare cable end.

Operating Data

Product data

| | |
|--------------------------------------|-------------------------|
| Impeller type | Single-channel impeller |
| Free ball passage of the hydraulics | 80 mm |
| Maximum operating pressure <i>PN</i> | 3 bar |
| Max. immersion depth | 20 m |
| Fluid temperature <i>T</i> | 3 °C |

Motor data

| | |
|---|------------------------------------|
| Motor design | Submersible motor - surface-cooled |
| Mains connection | 3~400 V, 50 Hz |
| Voltage tolerance | ±10 % |
| Power factor <i>cos φ</i> ₁₀₀ | 0.86 |
| Rated power <i>P</i> ₂ | 15 kW |
| Power consumption <i>P</i> _{1 max} | 18.10 kW |
| Rated current <i>I</i> _N | 30.5 A |
| Starting current <i>I</i> | 30 A |
| Activation type | Star-Delta (YΔ) |
| Number of poles | 4 |
| Rated speed <i>n</i> | 1425 1/min |
| Max. switching frequency <i>t</i> | 15 1/h |
| Insulation class | H |
| Protection class | IP68 |
| Operating mode (immersed) | S1 |
| Operating mode (non-immersed) | S2-15 min |

Cable

| | |
|----------------------------------|-------------------------------|
| Connection cable length <i>L</i> | 10 m |
| Cable type | NSSHÖU-J |
| Cable cross-section | 7x2,5 + 7x1,5 mm ² |
| Mains plug | no |
| Type of connection cable | Non-detachable |

Equipment/function

| | |
|------------------------------------|----------|
| Float switch | no |
| Macerator | no |
| Explosion protection type | ATEX |
| Motor protection | Bimetall |
| Motor, leakage detection | yes |
| Sealing chamber, leakage detection | optional |
| Leakage chamber, leakage detection | yes |


Materials

| | |
|-----------------------|-------------------|
| Pump housing | Grey cast iron |
| Impeller | Ductile cast iron |
| Shaft | Stainless steel |
| Sealing on pump side | QQPGG |
| Sealing on motor side | BXPFF |
| Gasket material | NBR |
| Motor housing | Grey cast iron |

Installation dimensions

| | |
|--|--------|
| Pipe connection on the suction side <i>DN</i> _s | DN 100 |
| Pipe connection on the discharge side <i>DN</i> _d | DN 100 |

Ordering information

| | |
|------------------------------|--|
| Brand | Wilo |
| Product description | EMU FA 10.34-278E + T 20.1-4/22GEx |
| Net weight, approx. <i>m</i> | 216 kg |
| Article number | 6047678  |

Installation type

Level control with float switch

Level measurement using a level sensor with various measurement ranges, including high water alarm and dry-running protection.

Communication module GSM (SC)

| | |
|-------------------------------|---------|
| Communication module GSM (SC) | 2542216 |
|-------------------------------|---------|

Battery 9V,200mA

| | |
|--|---------|
| NiMh rechargeable battery, 9 V/200 mAh | 2522850 |
|--|---------|

Float switch MS1

| | |
|----------------------------------|---------|
| Float switch MS1 with 10 m cable | 2004593 |
|----------------------------------|---------|

Ex-rated cut-off relay

| | |
|------------------------------------|---------|
| Ex-rated cut-off relay (2-circuit) | 2513059 |
| Ex-rated cut-off relay (3-circuit) | 2510698 |
| Ex-rated cut-off relay (4-circuit) | 2510699 |
| Ex-rated cut-off relay (5-circuit) | 2510674 |

Signal horn

| | |
|-----------------------|-----------|
| Signal horn 1~230 V | 501459398 |
| Signal horn 12-24 VDC | 2017208 |

Flash light

| | |
|-----------------------|---------|
| Flash light 1~230 VAC | 2551613 |
| Flash light 24 VDC | 2551612 |

Level control with level sensor

Level measurement using a level sensor with various measurement ranges, including high water alarm and dry-running protection. The breakdown barrier and the Ex cut-off relays are not required except for the connection of signal transmitters in potentially explosive areas! These can also be dispensed with when the SC-L..-Ex switchgear is used!

Communication module GSM (SC)

| | |
|-------------------------------|---------|
| Communication module GSM (SC) | 2542216 |
|-------------------------------|---------|

Level sensor

| | |
|--|---------|
| Level sensor 0-1.0 mWS with 10 m cable | 6088842 |
| Level sensor 0-1.0 mWS with 30 m cable | 6088841 |
| Level sensor 0-1.0 mWS with 50 m cable | 6088840 |
| Level sensor 0-2.5 mWS with 10 m cable | 6088839 |
| Level sensor 0-2.5 mWS with 30 m cable | 6088837 |

| | |
|--|---------|
| Level sensor 0-2.5 mWS with 50 m cable | 6088836 |
|--|---------|

Cable clamp

| | |
|-------------|---------|
| Cable clamp | 2519927 |
|-------------|---------|

Zener barrier

| | |
|---------------|---------|
| Zener barrier | 2541372 |
|---------------|---------|

Signal horn

| | |
|---------------------|-----------|
| Signal horn 1~230 V | 501459398 |
|---------------------|-----------|

Flash light

| | |
|-----------------------|---------|
| Flash light 1~230 VAC | 2551613 |
|-----------------------|---------|

Level control with dynamic pressure system

Level measurement via an open dynamic pressure system with the option of a separate dynamic pressure bell for the high water level.

Battery 9V,200mA

| | |
|--|---------|
| NiMh rechargeable battery, 9 V/200 mAh | 2522850 |
|--|---------|

Dynamic pressure system

| | |
|--------------------------------------|---------|
| Bubbling-through system | 2516977 |
| Dynamic pressure bell with 10 m hose | 2516976 |

Signal horn

| | |
|-----------------------|-----------|
| Signal horn 1~230 V | 501459398 |
| Signal horn 12-24 VDC | 2017208 |

Flash light

| | |
|-----------------------|---------|
| Flash light 1~230 VAC | 2551613 |
| Flash light 24 VDC | 2551612 |

Mains-independent alarm signal

Alarm signal for detection of flooding in rooms and buildings. The alarm signal is acoustic, optical or wireless. In addition, other consumers can be controlled directly.

Zener barrier

| | |
|---------------|---------|
| Zener barrier | 2541372 |
|---------------|---------|

Float switch MS1

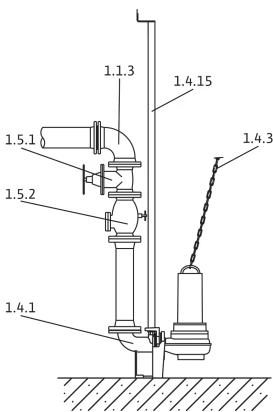
| | |
|----------------------------------|---------|
| Float switch MS1 with 10 m cable | 2004593 |
|----------------------------------|---------|

Ex-rated cut-off relay

| | |
|--|--|
| | |
|--|--|

| | |
|------------------------------------|-----------|
| Ex-rated cut-off relay (2-circuit) | 2513059 |
| DrainAlarm | |
| DrainAlarm | 2545133 |
| Signal horn | |
| Signal horn 1~230 V | 501459398 |
| Flash light | |
| Flash light 1~230 VAC | 2551613 |

Stationary wet well installation DN 100



Installation drawing

The pumps are immersed in the fluid. Connection to the discharge pipe is normally by a suspension unit. For maintenance purposes, the pumps can be removed from the top of the chamber. There is no need to loosen any screws or drain the water.

For a correct operation of the pumps, it is necessary to know the switching volume. The switching volume is calculated as the difference between the ON and OFF switching points. The OFF-switching point will define by the operating mode for submerged and non-submerged operation of the motor.

Pipe elbow 90° flange/flange 1.1.3

| | |
|-----------------------|---------|
| 90° pipe elbow DN 100 | 2004669 |
|-----------------------|---------|

Y-piece 1.1.5

| | |
|----------------|---------|
| DN 100 Y-piece | 2017180 |
|----------------|---------|

Suspension unit 1.4.1

| | |
|----------------------------|---------|
| Suspension unit DN 100/2RK | 6082336 |
|----------------------------|---------|

Sling chain, galvanized steel 1.4.3

| | |
|--|---------|
| Sling chain kit PCS-CE, galvanised steel, 400 kg, 10 m | 6063142 |
| Sling chain kit PCS-CE, galvanised steel, 400 kg, 3 m | 6063139 |
| Sling chain kit PCS-CE, galvanised steel, 400 kg, 5 m | 6063140 |

Sling chain, stainless steel 1.4.3

| | |
|---|---------|
| Sling chain kit PCS-CE, stainless steel, 400 kg, 10 m | 6063138 |
| Sling chain kit PCS-CE, stainless steel, 400 kg, 3 m | 6063135 |
| Sling chain kit PCS-CE, stainless steel, 400 kg, 5 m | 6063136 |

Guide tube 1.4.15

| | |
|--------------------------------|---------|
| Guide pipe Ø42.4x2mm 6m 1.4301 | 6031565 |
| Guide pipe Ø42.4x2mm 6m 1.4571 | 6031566 |

Shut-off device for wastewater and sewage 1.5.1

| | |
|-------------------------------|---------|
| Gate valve DN 100, EN-GJL-250 | 2017163 |
|-------------------------------|---------|

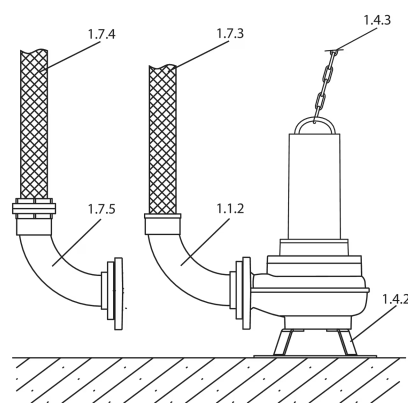
Non-return valve 1.5.2

| | |
|-------------------------|---------|
| Non-return valve DN 100 | 2017169 |
|-------------------------|---------|

Portable wet installation DN 100



Installation example



Installation drawing

The pump is equipped with a pump foot (integrated in the pump housing or separately as an accessory). With this pump foot, the pump can be easily and flexibly installed in any operating space. Hoses are used as discharge pipes. Connection is with a hose nipple or Storz coupling. For a level-dependent operation, it is recommended to use a pump with a float switch.

Pump foot 1.4.2

| | |
|---------------------------------|---------|
| Floor supporting foot DN 80/100 | 6065953 |
| Floor supporting foot DN 80/100 | 6065949 |

Sling chain, galvanized steel 1.4.3

| | |
|--|---------|
| Sling chain kit PCS-CE, galvanised steel, 400 kg, 10 m | 6063142 |
| Sling chain kit PCS-CE, galvanised steel, 400 kg, 5 m | 6063140 |

Sling chain, stainless steel 1.4.3

| | |
|---|---------|
| Sling chain kit PCS-CE, stainless steel, 400 kg, 10 m | 6063138 |
| Sling chain kit PCS-CE, stainless steel, 400 kg, 5 m | 6063136 |

Synthetic fibre hose with coupling 1.7.4

| | |
|--|---------|
| Synthetic fibre pressure hose 10 m, with Storz A | 6022392 |
| Synthetic fibre pressure hose 20 m, with Storz A | 6022393 |
| Synthetic fibre pressure hose 5 m, with Storz A | 6022391 |

Storz-pipe coupling with 90° pipe elbow 1.7.5

| | |
|-----------------------------------|---------|
| Fixed coupling set Storz A/DN 100 | 6031672 |
|-----------------------------------|---------|

Mechanical accessories

Fittings

Non-return valve

| | |
|-------------------------|---------|
| Non-return valve DN 100 | 2017169 |
| Non-return valve DN 150 | 2017170 |

Shut-off device for wastewater and sewage

| | |
|-------------------------------|---------|
| Gate valve DN 100, EN-GJL-250 | 2017163 |
| Gate valve DN 150, EN-GJL-250 | 2017164 |

Hoses / hose joints

Storz-pipe coupling with 90° pipe elbow

| | |
|-----------------------------------|---------|
| Fixed coupling set Storz A/DN 100 | 6031672 |
|-----------------------------------|---------|

Synthetic fibre hose with coupling

| | |
|--|---------|
| Synthetic fibre pressure hose 20 m, with Storz B | 6003050 |
| Synthetic fibre pressure hose 10 m, with Storz B | 6003051 |
| Synthetic fibre pressure hose 5 m, with Storz B | 6003052 |
| Synthetic fibre pressure hose 20 m, with Storz F | 6003647 |
| Synthetic fibre pressure hose 10 m, with Storz F | 6003648 |
| Synthetic fibre pressure hose 20 m, with Storz C | 6003649 |
| Synthetic fibre pressure hose 10 m, with Storz C | 6003650 |
| Synthetic fibre pressure hose 5 m, with Storz C | 6003651 |
| Synthetic fibre pressure hose 5 m, with Storz A | 6022391 |
| Synthetic fibre pressure hose 10 m, with Storz A | 6022392 |
| Synthetic fibre pressure hose 20 m, with Storz A | 6022393 |

Installation/setup

Guide tube

| | |
|--------------------------------|---------|
| Guide pipe Ø42.4x2mm 6m 1.4301 | 6031565 |
| Guide pipe Ø42.4x2mm 6m 1.4571 | 6031566 |

Pump foot

| | |
|---------------------------------|---------|
| Floor supporting foot DN 80/100 | 6065949 |
| Floor supporting foot DN 80/100 | 6065953 |

Sling chain, galvanized steel

| | |
|--|--|
| | |
|--|--|

| | |
|---|---------|
| Sling chain kit PCS-CE, galvanised steel, 400 kg, 3 m | 6063139 |
| Sling chain kit PCS-CE, galvanised steel, 400 kg, 5 m | 6063140 |
| Sling chain kit PCS-CE, galvanised steel, 400 kg, 6 m | 6063141 |
| Sling chain kit PCS-CE, galvanised steel, 400 kg, 10 m | 6063142 |
| Sling chain kit PCS-CE, galvanised steel, 800 kg, 3 m | 6063147 |
| Sling chain kit PCS-CE, galvanised steel, 800 kg, 5 m | 6063148 |
| Sling chain kit PCS-CE, galvanised steel, 800 kg, 6 m | 6063149 |
| Sling chain kit PCS-CE, galvanised steel, 800 kg, 10 m | 6063150 |
| Sling chain kit PCS-CE, galvanised steel, 2000 kg, 10 m | 6063152 |
| Sling chain kit PCS-CE, galvanised steel, 5000 kg, 10 m | 6063154 |
| Sling chain kit PCS-CE, galvanised steel, 7000 kg, 10 m | 6063156 |
| Sling chain kit PCS-CE, galvanised steel, 9000 kg, 10 m | 6063518 |

Sling chain, stainless steel

| | |
|--|---------|
| Sling chain kit PCS-CE, stainless steel, 400 kg, 3 m | 6063135 |
| Sling chain kit PCS-CE, stainless steel, 400 kg, 5 m | 6063136 |
| Sling chain kit PCS-CE, stainless steel, 400 kg, 6 m | 6063137 |
| Sling chain kit PCS-CE, stainless steel, 400 kg, 10 m | 6063138 |
| Sling chain kit PCS-CE, stainless steel, 800 kg, 3 m | 6063143 |
| Sling chain kit PCS-CE, stainless steel, 800 kg, 5 m | 6063144 |
| Sling chain kit PCS-CE, stainless steel, 800 kg, 6 m | 6063145 |
| Sling chain kit PCS-CE, stainless steel, 800 kg, 10 m | 6063146 |
| Sling chain kit PCS-CE, stainless steel, 2000 kg, 10 m | 6063151 |
| Sling chain kit PCS-CE, stainless steel, 5000 kg, 10 m | 6063153 |
| Sling chain kit PCS-CE, stainless steel, 7000 kg, 10 m | 6063155 |

Suspension unit

| | |
|----------------------------|---------|
| Suspension unit DN 100/2RK | 6082336 |
|----------------------------|---------|

Pipes/pipe joints

Pipe elbow 90° flange/flange

| | |
|-----------------------|---------|
| 90° pipe elbow DN 100 | 2004669 |
|-----------------------|---------|

Y-piece

| | |
|----------------|---------|
| DN 100 Y-piece | 2017180 |
|----------------|---------|

Electrical accessories

Pump control/accessories

Battery 9V,200mA

| | |
|--|---------|
| NiMh rechargeable battery, 9 V/200 mAh | 2522850 |
|--|---------|

Communication module GSM

| | |
|------------|---------|
| GSM module | 2533861 |
|------------|---------|

Communication module GSM (SC)

| | |
|-------------------------------|---------|
| Communication module GSM (SC) | 2542216 |
|-------------------------------|---------|

Communication module LON (SC)

| | |
|-------------------------------|---------|
| Communication module LON (SC) | 2538243 |
|-------------------------------|---------|

Electrode relay

| | |
|----------------------------|---------|
| Evaluation relay NIV 105/S | 6003270 |
|----------------------------|---------|

| | |
|----------------------------|---------|
| Evaluation relay NIV 101/A | 6085388 |
|----------------------------|---------|

Phase asymmetry relay

| | |
|-----------------------------|---------|
| Phase asymmetry relay PS2DF | 6067141 |
|-----------------------------|---------|

SC communication module BACnet

| | |
|--|---------|
| SC-communication module BACnet MS/TP (slave) | 2538242 |
|--|---------|

| | |
|-----------------------------------|---------|
| BACnet IP SC communication module | 2553366 |
|-----------------------------------|---------|

Alarm signal

DrainAlarm

| | |
|------------|---------|
| DrainAlarm | 2545133 |
|------------|---------|

| | |
|------------------|---------|
| DrainAlarm FIRST | 2550526 |
|------------------|---------|

Flash light

| | |
|-------------------------------|---------|
| Mounted Flash light 1~230 VAC | 2510429 |
|-------------------------------|---------|

| | |
|--------------------|---------|
| Flash light 24 VDC | 2551612 |
|--------------------|---------|

| | |
|-----------------------|---------|
| Flash light 1~230 VAC | 2551613 |
|-----------------------|---------|

Signal horn

| | |
|-----------------------|---------|
| Signal horn 12-24 VDC | 2017208 |
|-----------------------|---------|

| | |
|---------------------|-----------|
| Signal horn 1~230 V | 501459398 |
|---------------------|-----------|

Cable

Pencil electrode

| | |
|---|---------|
| Pencil electrode (210 mm) with 10 m cable | 6042222 |
| Pencil electrode (30 mm) with 10 m cable | 6065216 |

Cable distribution

Cable distribution cabinet

| | |
|---|---------|
| UHRSD cable distribution cabinet, size 00 | 2523672 |
| UHRSD cable distribution cabinet, size 0 | 2523673 |
| UHRSD cable distribution cabinet, size 1 | 2523674 |
| UHRSD cable distribution cabinet, size 2 | 2523675 |
| FCHE cable distribution cabinet, size 00 | 2523791 |

Level control

Dynamic pressure system

| | |
|--------------------------------------|---------|
| Dynamic pressure bell with 10 m hose | 2516976 |
| Bubbling-through system | 2516977 |

Float switch MS1

| | |
|----------------------------------|---------|
| Float switch MS1 with 10 m cable | 2004593 |
|----------------------------------|---------|

Float switch WA

| | |
|---|-----------|
| Float switch WA65 with 5 m cable | 503211390 |
| Float switch WA65 with 10 m cable | 503211893 |
| Float switch WA65 with 20 m cable | 2004431 |
| Float switch WA65 with 30 m cable | 2004432 |
| Float switch WA KR1 S with 5 m cable | 6082806 |
| Float switch WA KR1 S with 10 m cable | 6082807 |
| Float switch WA65 (PSN-X) with 20 m cable | 6088843 |
| Float switch WA65 (PSN-X) with 10 m cable | 6088844 |
| Float switch WA65 (PSN-X) with 5 m cable | 6088845 |

Float switch WAO

| | |
|---------------------------------|-----------|
| Float switch WAO 65, 5 m cable | 503211595 |
| Float switch WAO 65, 10 m cable | 2006027 |
| Float switch WAO 65, 20 m cable | 2004429 |
| Float switch WAO 65, 30 m cable | 2004430 |

Level sensor

| | |
|--|---------|
| Level sensor 0-10 mWS with 50 m cable | 6088831 |
| Level sensor 0-10 mWS with 30 m cable | 6088832 |
| Level sensor 0-10 mWS with 20 m cable | 6088833 |
| Level sensor 0-2.5 mWS with 50 m cable | 6088836 |
| Level sensor 0-2.5 mWS with 30 m cable | 6088837 |
| Level sensor 0-2.5 mWG, cable length: 20 m | 6088838 |
| Level sensor 0-2.5 mWS with 10 m cable | 6088839 |
| Level sensor 0-1.0 mWS with 50 m cable | 6088840 |
| Level sensor 0-1.0 mWS with 30 m cable | 6088841 |
| Level sensor 0-1.0 mWS with 10 m cable | 6088842 |

Level control/accessories

Cable clamp

| | |
|-------------|---------|
| Cable clamp | 2519927 |
|-------------|---------|

Dynamic pressure system

| | |
|-------------------------|---------|
| Bubbling-through system | 2516977 |
|-------------------------|---------|

Ex-rated cut-off relay

| | |
|------------------------------------|---------|
| Ex-rated cut-off relay (5-circuit) | 2510674 |
| Ex-rated cut-off relay (3-circuit) | 2510698 |
| Ex-rated cut-off relay (4-circuit) | 2510699 |
| Ex-rated cut-off relay (2-circuit) | 2513059 |
| Ex-rated cut-off relay XR-42x | 6069164 |

Zener barrier

| | |
|---------------|---------|
| Zener barrier | 2541372 |
|---------------|---------|

Motor protection

Pencil electrode

| | |
|---|---------|
| Pencil electrode (210 mm) with 10 m cable | 6042222 |
| Pencil electrode (30 mm) with 10 m cable | 6065216 |

Services

With Wilo as your partner, you can not only be sure of choosing high-quality product solutions, but also of benefiting from a comprehensive, worry-free package of well thought-out services. We collaborate to develop a service concept tailored to your individual needs; with our expertise and personal consultancy, we make sure that the operation of your systems is as energy-efficient, reliable and economical as possible. All the while our competent Wilo service technicians are ready to assist you with fast, reliable and on-time support.

Recommended services

| | |
|------------------------------------|---------|
| Commissioning Drainage pumps | 2219491 |
| Wilo-Live Assistant Service | 2216415 |
| Maintenance BASIC Drainage pumps | 2219540 |
| Maintenance COMFORT Drainage pumps | 2219514 |
| Maintenance PREMIUM Drainage pumps | 2219567 |

More suitable services

| | |
|------------------------------------|---------|
| Service Package L Drainage pumps | 2219719 |
| Service Package M Drainage pumps | 2219690 |
| Extended Warranty Drainage pumps | 2219465 |
| Supervision Drainage pumps | 2219348 |
| Installation Drainage pumps | 2219383 |
| System Optimisation Drainage pumps | 2219278 |
| Energy Solutions Drainage pumps | 2219313 |
| Repair Drainage pumps | 2219632 |