



## Data sheet

### Hydraulic data

Maximum operating pressure $P_N$	10 bar
Max. fluid temperature $T_{max}$	95 °C
Min. fluid temperature $T_{min}$	2 °C
Min. ambient temperature $T_{min}$	-10 °C
Max. ambient temperature $T_{max}$	40 °C
Temperature range at max. ambient temperature +40 °C $T$	+2...+70
Max. permitted total water hardness	3.57 mmol/l (20°dH)

### Motor data

Mains connection	1~230 V, 50/60 Hz
Rated power $P_2$	0.03 kW
Rated current $I_N$	0.44 A
Min. speed $n_{min}$	700 1/min
Max. speed $n_{max}$	4200 1/min
Power consumption $P_{1 min}$	4 W
Power consumption $P_{1 max}$	40 W
Emitted interference	EN 61000-6-3
Interference resistance	EN 61000-6-2
Electromagnetic compatibility	EN 61800-3
Insulation class	F
Protection class motor	IPX4D
Speed control	Frequency converter
Motor protection	integrated

### Materials

Pump housing	1.4409
Impeller	PPO-GF30
Shaft	Oxide ceramic
Bearing	Carbon-graphite

### Installation dimensions

Pipe connection on the suction side $DN_s$	G 1½
Pipe connection on the discharge side $DN_d$	G 1½
Port-to-port length $L_0$	180 mm

## Equipment/function

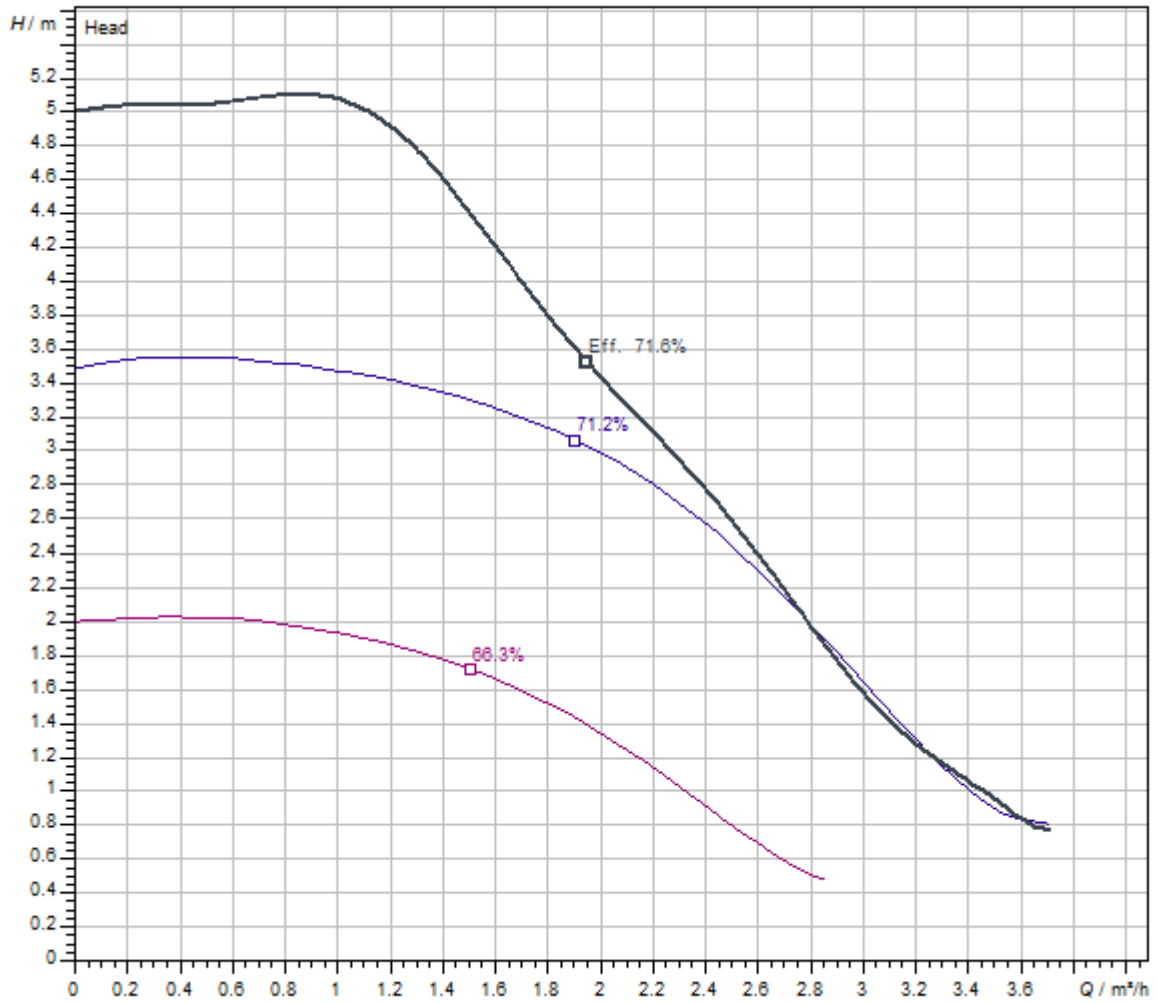
### Function

Control mode	$\Delta p$ -c for constant differential pressure
	Constant speed (3 speed stages)
	Constant speed (n-const.)
Display	Actual volume flow
	Actual power consumption
Pump venting function	Manual

### Equipment

Approvals and labels	CE
	VDE
	EAC
	UKCA
	TR
	RCM
Display	LED segment display
Display information	Basic Version: LED display (small) for showing the set head or speed stage.
Pump control	Electronic-controlled pump
Quick electrical connection	Wilo Connector
Thermal insulation shell	Yes
Operating elements	Green button

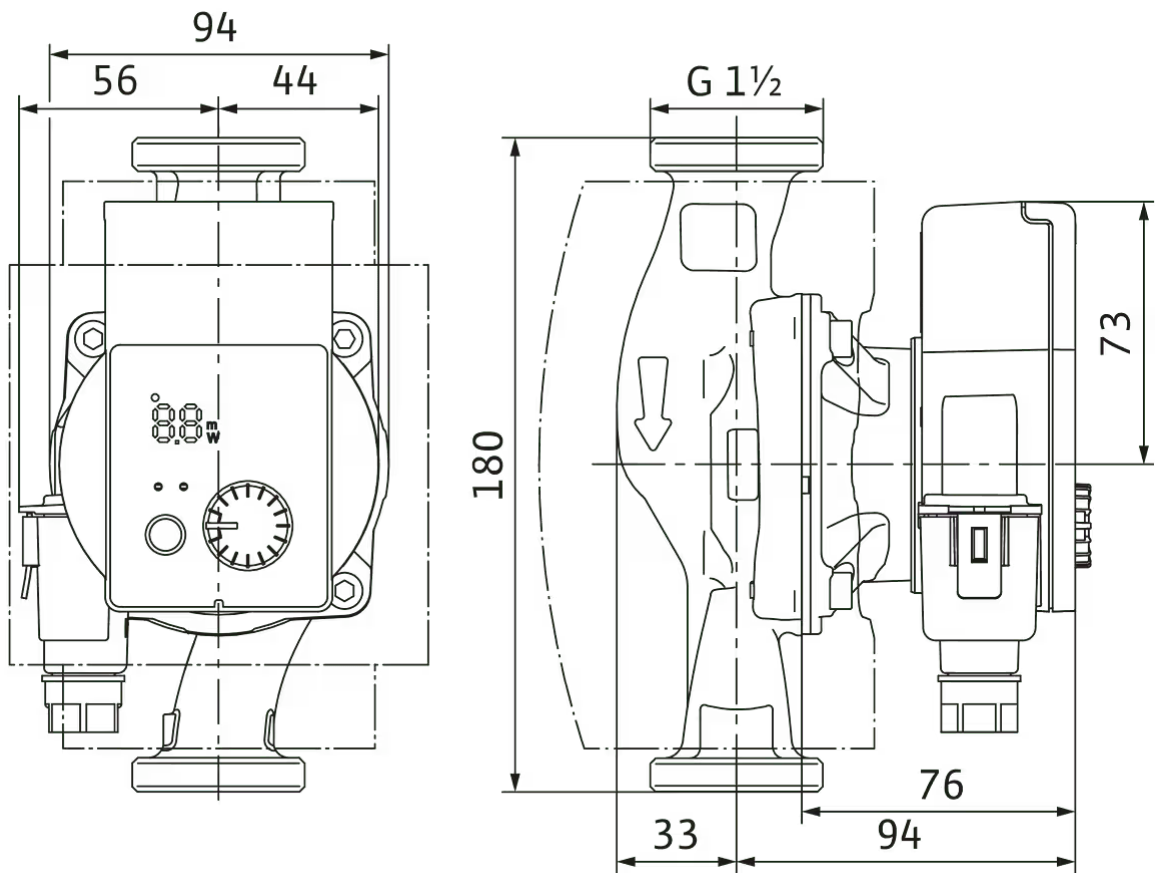
Pump curves



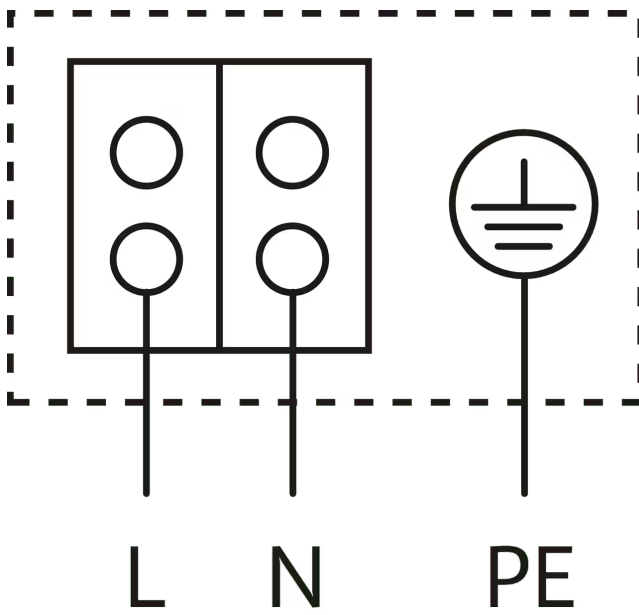
Fluid media	Water 100 %
Fluid temperature <i>T</i>	20.00 °C
speed at duty point <i>n hydr. @ OP</i>	2,900 1/min

Dimensions and dimensions drawings

Yonos PICO-Z 25/0,5-6 180



Wiring diagram



Blocking current-proof motor

Single-phase motor (EM) 2-pole - 1~230 V, 50 Hz

## Tender text

This circulator is suitable only for drinking water.

Maintenance-free domestic hot water circulator (glandless pump version) with screwed connection, blocking-current proof synchronous motor according to ECM technology and built-in electronic power control for continuous differential pressure control. Suitable for all domestic hot water systems (+2 to +95 °C).

## Standard-equipped with:

- > Preselectable control modes for optimum load adjustment:
  - >  $\Delta p$ -c for constant differential pressure
  - > Constant speed (3 constant speed stages)
  - > Constant speed (continuously adjustable)
- > LED display for setting the setpoint, displaying current consumption in watts and flow rate in m<sup>3</sup>/h
- > Integrated motor protection
- > Automatic deblocking function
- > Manual pump venting function for venting the rotor chamber
- > Manual restart
- > Pump housing made of stainless steel
- > Quick electrical connection with Wilo-Connector
- > Thermal insulation shell

## Operating Data

Max. fluid temperature $T_{max}$	95 °C
Min. fluid temperature $T_{min}$	2 °C
Min. ambient temperature $T_{min}$	-10 °C
Max. ambient temperature $T_{max}$	40 °C
Temperature range at max. ambient temperature +40 °C $T$	+2...+70
Maximum operating pressure $PN$	10 bar
Max. permitted total water hardness	3.57 mmol/l (20°dH)

## Motor data

Emitted interference	EN 61000-6-3
Interference resistance	EN 61000-6-2
Mains connection	1~230 V, 50/60 Hz
Power consumption $P_{1 max}$	40 W
Max. speed $n_{max}$	4200 1/min
Rated current $I_N$	0.44 A
Protection class motor	IPX4D
Threaded cable connection	1 x PG11


## Materials

Pump housing	1.4409
Impeller	PPO-GF30
Shaft	Oxide ceramic
Bearing	Carbon-graphite

## Installation dimensions

Pipe connection on the suction side $DN_s$	G 1½
Pipe connection on the discharge side $DN_d$	G 1½
Port-to-port length $L_0$	180 mm

## Ordering information

Brand	Wilo
Product description	Yonos PICO-Z 25/0,5-6 180
Net weight, approx. $m$	1.6 kg
Article number	<b>4255418</b> 

## Services

With Wilo as your partner, you can not only be sure of choosing high-quality product solutions, but also of benefiting from a comprehensive, worry-free package of well thought-out services. We collaborate to develop a service concept tailored to your individual needs; with our expertise and personal consultancy, we make sure that the operation of your systems is as energy-efficient, reliable and economical as possible. All the while our competent Wilo service technicians are ready to assist you with fast, reliable and on-time support.

### Recommended services

---

Wilo-Live Assistant Service	2216415
-----------------------------	---------

---

System Optimisation Glandless pumps	2219250
-------------------------------------	---------

---

Energy Solutions Glandless pumps	2219285
----------------------------------	---------

### More suitable services

---

Extended Warranty Glandless pumps	2219589
-----------------------------------	---------

---

Supervision Glandless pumps	2219320
-----------------------------	---------

---

Installation Glandless pumps	2219355
------------------------------	---------

---

Commissioning Glandless pumps	2219390
-------------------------------	---------

---

Maintenance BASIC Glandless pumps	2219530
-----------------------------------	---------

Maintenance COMFORT Glandless pumps	2219416
-------------------------------------	---------

Maintenance PREMIUM Glandless pumps	2219545
-------------------------------------	---------

---

Repair Glandless pumps	2219609
------------------------	---------