



Data sheet

Hydraulic data

Maximum operating pressure P_N	10 bar
Max. fluid temperature T_{max}	95 °C
Min. fluid temperature T_{min}	2 °C
Min. ambient temperature T_{min}	-10 °C
Max. ambient temperature T_{max}	40 °C
Temperature range at max. ambient temperature +40 °C T	+2...+70
Max. permitted total water hardness	3.57 mmol/l (20°dH)

Motor data

Mains connection	1~230 V, 50/60 Hz
Rated power P_2	0.02 kW
Rated current I_N	0.26 A
Min. speed n_{min}	700 1/min
Max. speed n_{max}	3400 1/min
Power consumption $P_{1 min}$	4 W
Power consumption $P_{1 max}$	20 W
Emitted interference	EN 61000-6-3
Interference resistance	EN 61000-6-2
Electromagnetic compatibility	EN 61800-3
Insulation class	F
Protection class motor	IPX4D
Speed control	Frequency converter
Motor protection	integrated

Materials

Pump housing	1.4409
Impeller	PPO-GF30
Shaft	Oxide ceramic
Bearing	Carbon-graphite

Installation dimensions

Pipe connection on the suction side DN_s	G 1½
Pipe connection on the discharge side DN_d	G 1½
Port-to-port length L_0	180 mm

Equipment/function

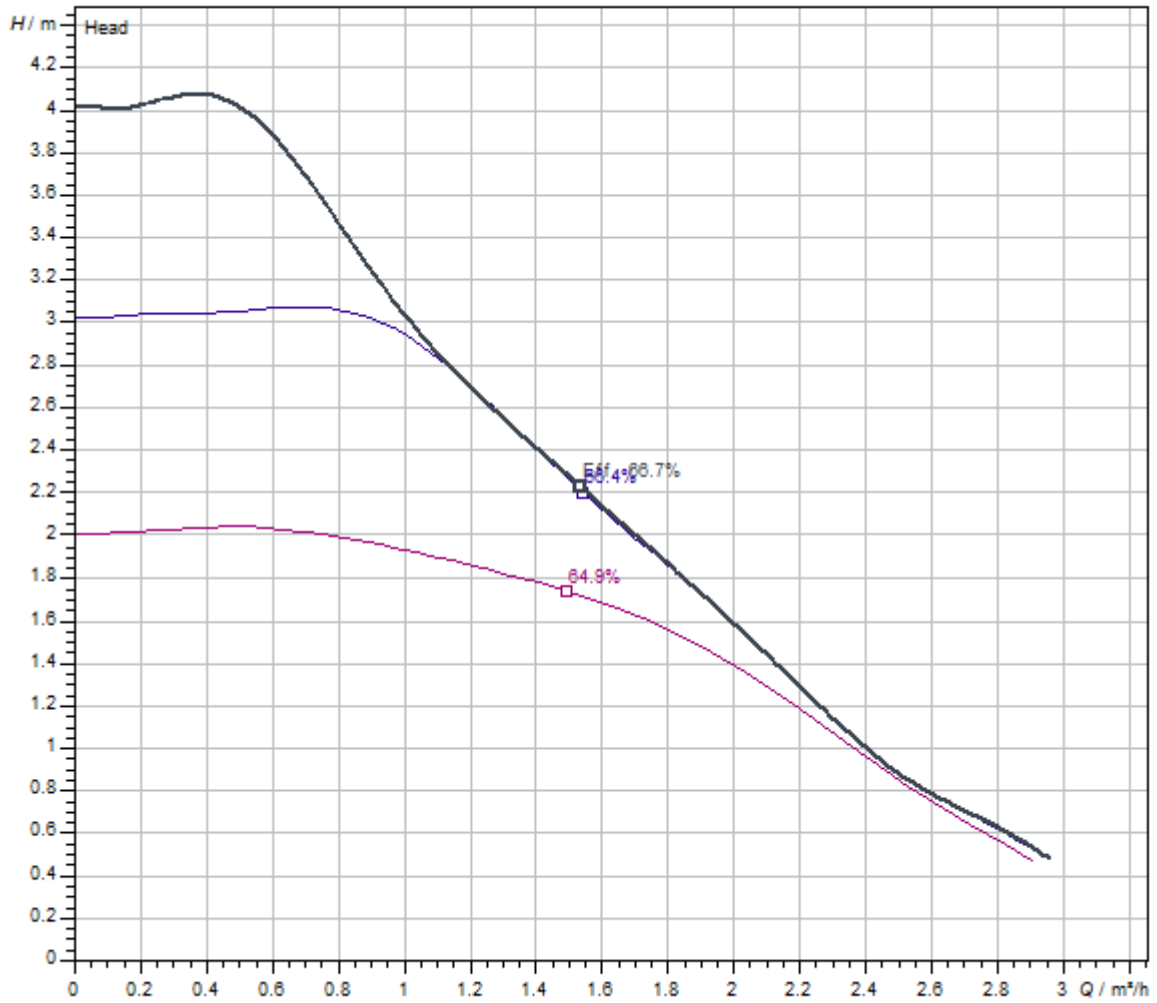
Function

Control mode	Δp -c for constant differential pressure
	Constant speed (3 speed stages)
	Constant speed (n-const.)
Display	Actual volume flow
	Actual power consumption
Pump venting function	Manual

Equipment

Approvals and labels	CE
	VDE
	EAC
	UKCA
	TR
	RCM
Display	LED segment display
Display information	Basic Version: LED display (small) for showing the set head or speed stage.
Pump control	Electronic-controlled pump
Quick electrical connection	Wilo Connector
Thermal insulation shell	Yes
Operating elements	Green button

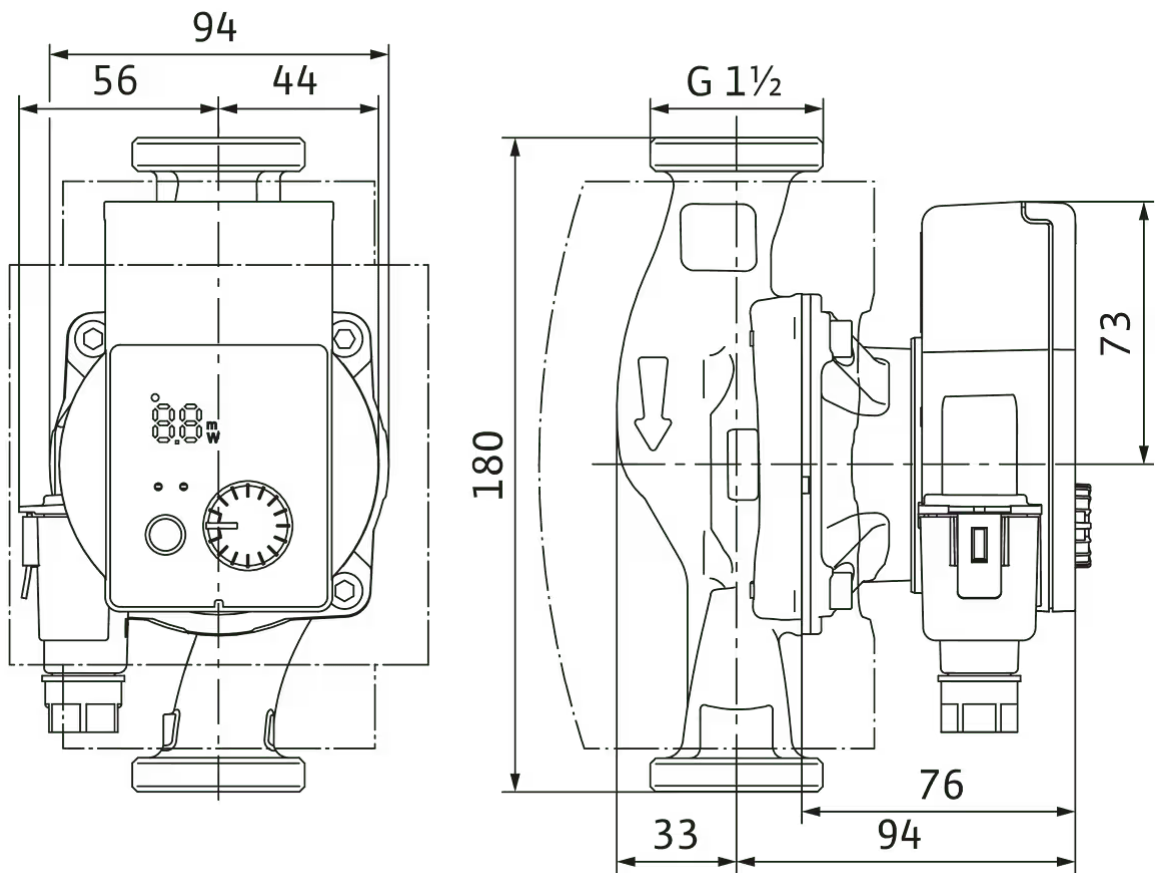
Pump curves



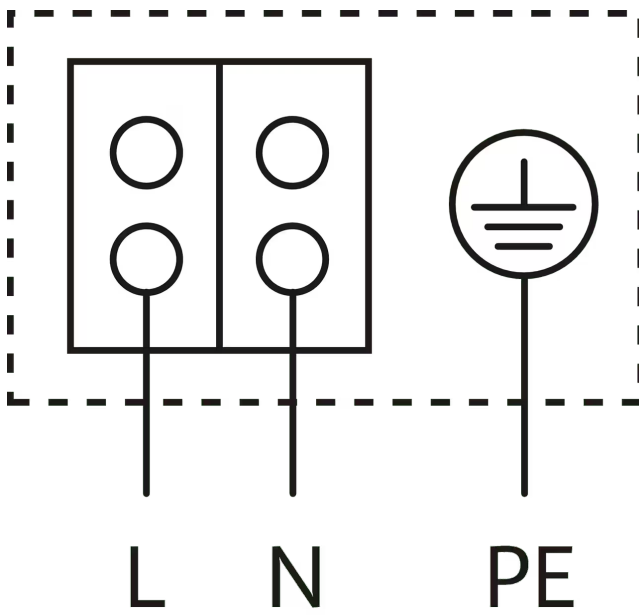
Fluid media	Water 100 %
Fluid temperature <i>T</i>	20.00 °C
speed at duty point <i>n hydr. @ OP</i>	2,900 1/min

Dimensions and dimensions drawings

Yonos PICO-Z 25/0,5-4 180



Wiring diagram



Blocking current-proof motor

Single-phase motor (EM) 2-pole - 1~230 V, 50 Hz

Tender text

This circulator is suitable only for drinking water.

Maintenance-free domestic hot water circulator (glandless pump version) with screwed connection, blocking-current proof synchronous motor according to ECM technology and built-in electronic power control for continuous differential pressure control. Suitable for all domestic hot water systems (+2 to +95 °C).

Standard-equipped with:

- > Preselectable control modes for optimum load adjustment:
 - > Δp -c for constant differential pressure
 - > Constant speed (3 constant speed stages)
 - > Constant speed (continuously adjustable)
- > LED display for setting the setpoint, displaying current consumption in watts and flow rate in m³/h
- > Integrated motor protection
- > Automatic deblocking function
- > Manual pump venting function for venting the rotor chamber
- > Manual restart
- > Pump housing made of stainless steel
- > Quick electrical connection with Wilo-Connector
- > Thermal insulation shell

Operating Data

Max. fluid temperature T_{max}	95 °C
Min. fluid temperature T_{min}	2 °C
Min. ambient temperature T_{min}	-10 °C
Max. ambient temperature T_{max}	40 °C
Temperature range at max. ambient temperature +40 °C T	+2...+70
Maximum operating pressure PN	10 bar
Max. permitted total water hardness	3.57 mmol/l (20°dH)

Motor data

Emitted interference	EN 61000-6-3
Interference resistance	EN 61000-6-2
Mains connection	1~230 V, 50/60 Hz
Power consumption $P_{1 max}$	20 W
Max. speed n_{max}	3400 1/min
Rated current I_N	0.26 A
Protection class motor	IPX4D
Threaded cable connection	1 x PG11


Materials

Pump housing	1.4409
Impeller	PPO-GF30
Shaft	Oxide ceramic
Bearing	Carbon-graphite

Installation dimensions

Pipe connection on the suction side DN_s	G 1½
Pipe connection on the discharge side DN_d	G 1½
Port-to-port length L_0	180 mm

Ordering information

Brand	Wilo
Product description	Yonos PICO-Z 25/0,5-4 180
Net weight, approx. m	1.5 kg
Article number	4255417 

Services

With Wilo as your partner, you can not only be sure of choosing high-quality product solutions, but also of benefiting from a comprehensive, worry-free package of well thought-out services. We collaborate to develop a service concept tailored to your individual needs; with our expertise and personal consultancy, we make sure that the operation of your systems is as energy-efficient, reliable and economical as possible. All the while our competent Wilo service technicians are ready to assist you with fast, reliable and on-time support.

Recommended services

Wilo-Live Assistant Service	2216415
System Optimisation Glandless pumps	2219250
Energy Solutions Glandless pumps	2219285

More suitable services

Extended Warranty Glandless pumps	2219589
Supervision Glandless pumps	2219320
Installation Glandless pumps	2219355
Commissioning Glandless pumps	2219390
Maintenance BASIC Glandless pumps	2219530
Maintenance COMFORT Glandless pumps	2219416
Maintenance PREMIUM Glandless pumps	2219545
Repair Glandless pumps	2219609