



Data sheet

Hydraulic data

| | |
|--|-----------------------|
| Maximum operating pressure P_N | 10 bar |
| Head max H_{max} | 8.1 m |
| Flow max Q_{max} | 4.4 m ³ /h |
| Minimum suction head at 50 °C m | 0.5 m |
| Minimum suction head at 95 °C m | 3 m |
| Minimum suction head at 110 °C | 10 m |
| Min. fluid temperature T_{min} | -10 °C |
| Max. fluid temperature T_{max} | 110 °C |
| Max. fluid temperature at max. ambient temperature of +25 °C T_{max} | 110 °C |
| Max. fluid temperature at max. ambient temperature of +40 °C T_{max} | 95 °C |
| Min. ambient temperature T_{min} | -10 °C |
| Max. ambient temperature T_{max} | 40 °C |

Motor data

| | |
|-------------------------------|------------------------|
| Energy efficiency index (EEI) | ≤0.23 |
| Mains connection | 1~230 V ±10%, 50/60 Hz |
| Rated power P_2 | 58 W |
| Min. speed n_{min} | 500 1/min |
| Max. speed n_{max} | 4800 1/min |
| Power consumption $P_{1 min}$ | 3 W |
| Power consumption $P_{1 max}$ | 75 W |
| Emitted interference | EN 61000-6-3 |
| Interference resistance | EN 61000-6-2 |
| Electromagnetic compatibility | EN 61800-3 |
| Threaded cable connection | 1 x PG11 |
| Insulation class | F |
| Protection class | IPX4D |

Materials

| | |
|--------------|---------------------------|
| Pump housing | Grey cast iron |
| Impeller | PP-GF40 |
| Shaft | Stainless steel |
| Bearing | Carbon, metal-impregnated |

Installation dimensions

| | |
|---|--------|
| Pipe connection on the discharge side DNd | G 2 |
| Pipe connection on the suction side DNs | G 2 |
| Port-to-port length $L0$ | 180 mm |

Equipment/function

Function

| | |
|--------------------------------|---|
| Control mode | Δp -v for variable differential pressure |
| | Δp -c for constant differential pressure |
| | Dynamic Adapt plus |
| | Constant speed (n-const.) |
| Special features of the series | Night set back |
| | Mode for pressure-independent control valves (PICV) |
| | Key locking function |
| | Reset function for electricity meter |
| | Reset function to factory setting |
| Display | Setpoint |
| | Actual delivery head |
| | Actual volume flow |
| | Actual power consumption |
| | Energy consumption |
| | Actual speed |
| | Manually activated restart or pump venting function |
| | Warning messages in plain text (display status: yellow) |
| | Error messages in plain text (display: red) |
| | Control mode |
| | Active influences (e.g. STOP) |
| Pump venting function | Manual |

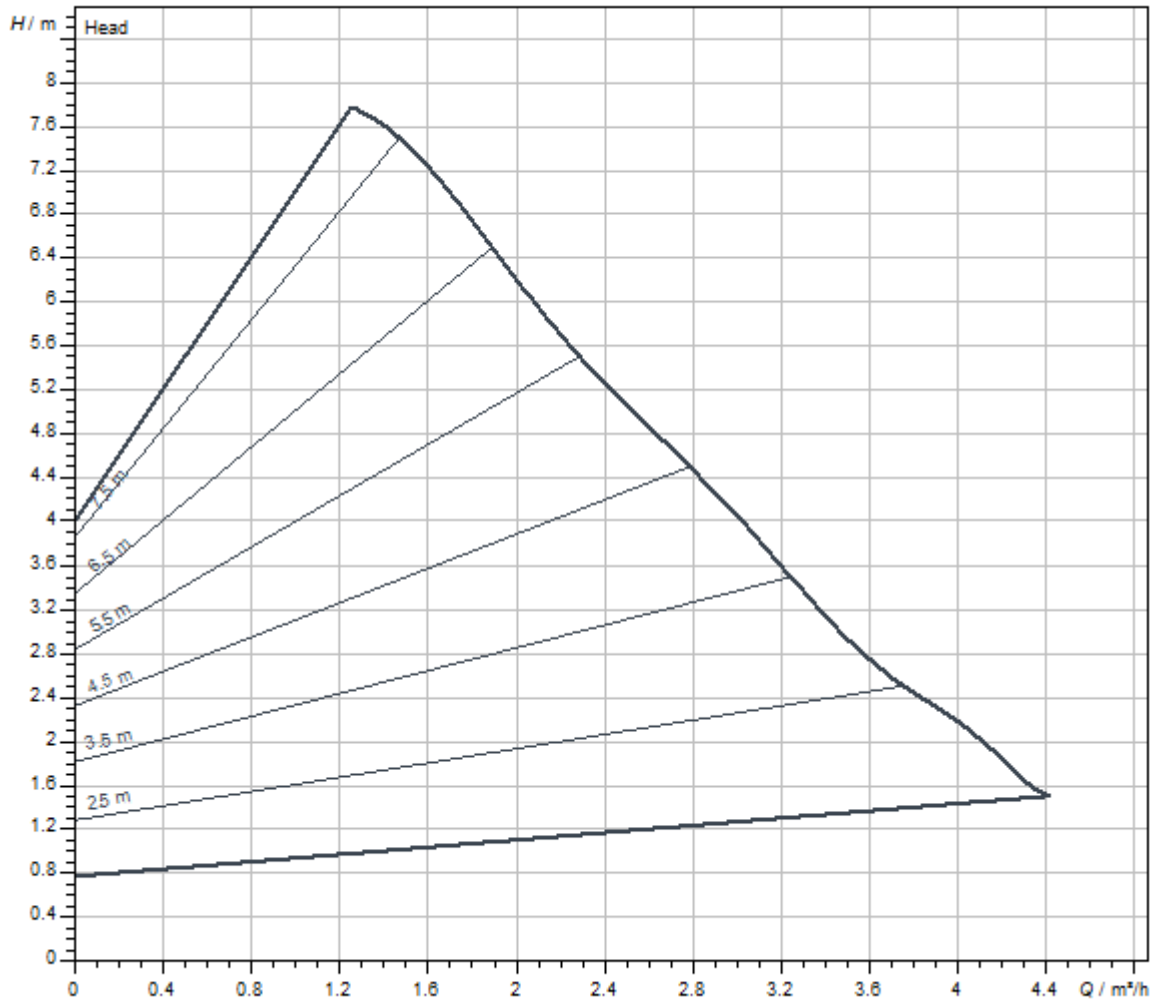
Equipment

| | |
|------------------------------|---|
| Approvals and labels | CE |
| | VDE |
| | EAC |
| | UKCA |
| | TR |
| | RCM |
| Display | Graphic colour display (2 inches) |
| Display information | Comfort Version: LCD display (large) for showing the head, flow volume, actual und cumulated current. |
| Pump control | Electronic-controlled pump |
| Quick electrical connection | Wilo Connector |
| Thermal insulation shell | Yes |
| Blocking-current proof motor | yes |
| Particle filter | yes |
| Key lock | yes |
| Operating elements | Green button and back button |

Connectivity

| | |
|---|--|
| Access via the Wilo-Assistant app | Via accessory Wilo-Smart Connect Module BT |
| Analogue signal as standard | 0-10 V (via BMS Connect module accessories) |
| Digital input | Ext. OFF/Ext. MIN/ Ext. MAX (via BMS Connect module accessories) |
| Digital output | SSM/SBM (via BMS Connect module accessories) |
| wire data exchange and remote operation | Via accessories Wilo-Smart Connect Module BT |

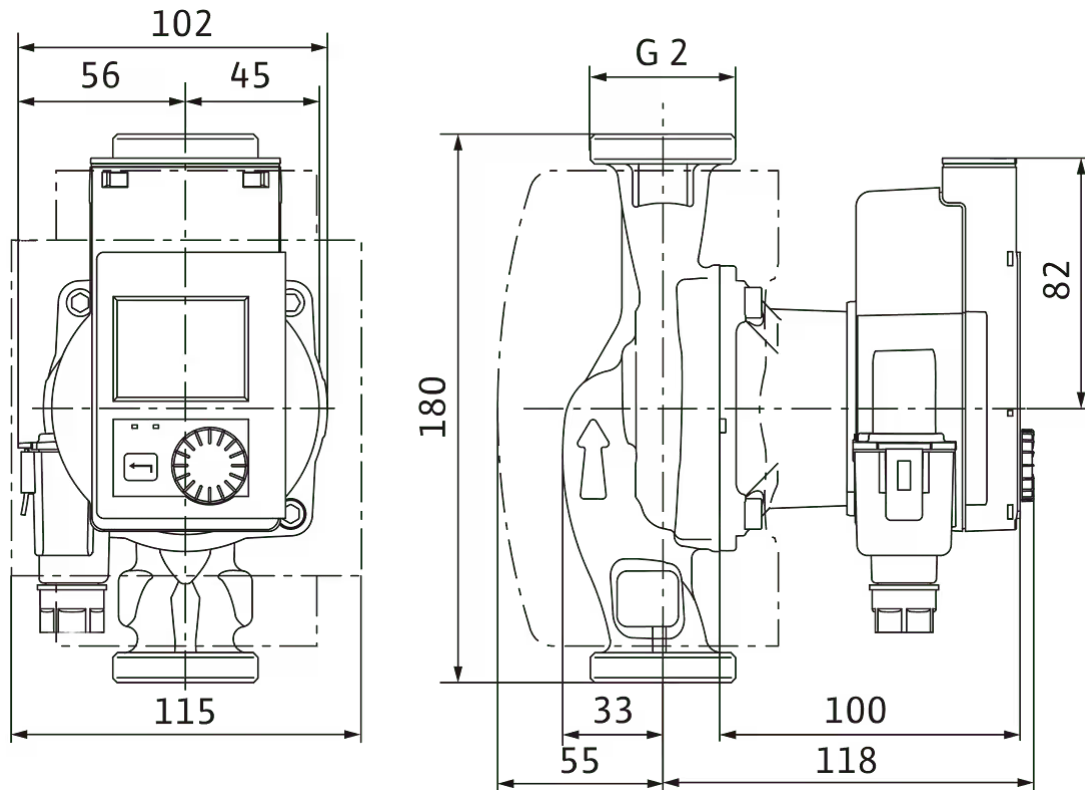
Pump curves



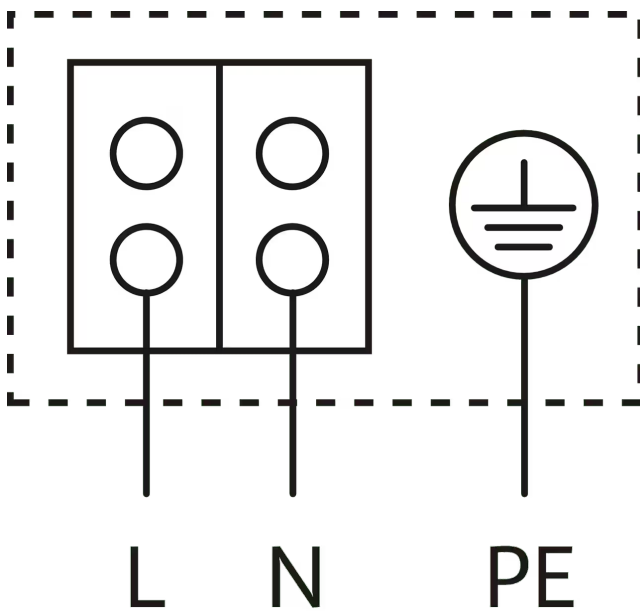
| | |
|---|-------------|
| Fluid media | Water 100 % |
| Fluid temperature <i>T</i> | 20.00 °C |
| speed at duty point <i>n hydr. @ OP</i> | 4,650 1/min |

Dimensions and dimensions drawings

Stratos PICO 30/0,5-8



Wiring diagram




Blocking current-proof motor

Single-phase motor (EM) 2-pole - 1~230 V, 50 Hz

Ordering information

Product data

| | |
|----------------------------|--|
| Brand | Wilo |
| Product description | Stratos PICO 30/0,5-8 |
| Article number | 4244401  |
| EAN number | 4062679126135 |
| Colour | Green |
| Minimum order quantity | 1 |
| Date of sales availability | 2022-01-01 |

Packaging

| | |
|--------------------|-----------------|
| Packaging type | Cardboard box |
| Packaging property | Sales packaging |
| Pieces per pallet | 146 |
| Number per layer | 20 |

Dimension, weight

| | |
|--------------------------------|--------|
| Length with packaging | 194 mm |
| Length <i>L</i> | 180 mm |
| Height with packaging | 121 mm |
| Height <i>H</i> | 114 mm |
| Width with packaging | 213 mm |
| Width <i>W</i> | 177 mm |
| Gross weight, approx. <i>m</i> | 2.5 kg |
| Net weight, approx. <i>m</i> | 2.2 kg |

Tender text

WILO Stratos PICO, electronically controlled high efficiency pump

Glandless circulator with screwed connection, blocking-current proof synchronous motor using ECM technology (up to 90 % energy saving compared to an uncontrolled pump) and built-in electronic power control for continuous differential pressure control.

Can be used for all heating and air-conditioning applications (-10 °C to +110 °C).

Control mode can be selected in accordance with the radiator/underfloor heating application.

Control modes:

- > Permanent, automatic power adjustment to system requirements without setpoint specification **Wilo Dynamic Adapt plus** (factory setting)
- > Settings assistant for **number of radiators** or **underfloor heating area**
- > Variable differential pressure (**$\Delta p-v$**)
- > Constant differential pressure (**$\Delta p-c$**)
- > Constant speed (**n -const.**)

Functions:

- > Automatic night setback
- > Fault/warning message display including description and error code in plain text
- > Venting routine for automatic venting of the rotor chamber
- > Manual restart function for additional deblocking of the pump as required
- > Key lock
- > Function for resetting the electricity meter or for resetting the settings to the factory settings
- > Dry-running detection
- > Automatic deblocking function and integrated motor protection
- > Supports hydraulic balancing with the Wilo-Assistant app

Display:

- > Control mode
- > Setpoint
- > Volume flow
- > Delivery head
- > Speed
- > Power consumption
- > Electric consumption
- > Active influences (e.g. night setback, deaeration)

Version:

- > Graphic colour display with operation via one button manual operation level
- > Slot for Wilo communication modules as an interface for e.g. Bluetooth
- > Use the Wilo-Assistant app to read and set operating data and –among other things– set up a commissioning protocol through the Bluetooth interface (as an accessory)
- > Minimal consumption only 3 W
- > Equipped as standard with a thermal insulation shell
- > 5-year warranty
- > High efficiency, TÜV tested (the certificate can be seen at www.wilo.com/legal)

Optional accessories:

- > Wilo-Smart Connect module BT for Bluetooth connection to mobile devices via Wilo-Assistant app
- > The Wilo-Connect module BMS expands the interface for use in building management systems (BMS)

Operating Data

| | |
|-------------------------------------|--------|
| Min. fluid temperature T_{\min} | -10 °C |
| Max. fluid temperature T_{\max} | 110 °C |
| Min. ambient temperature T_{\min} | -10 °C |
| Max. ambient temperature T_{\max} | 40 °C |
| Maximum operating pressure PN | 10 bar |
| Minimum suction head at 50 °C m | 0.5 m |
| Minimum suction head at 95 °C m | 3 m |
| Minimum suction head at 110 °C | 10 m |

Motor data

| | |
|--------------------------------|-------------------|
| Energy efficiency index (EEI) | ≤0.23 |
| Emitted interference | EN 61000-6-3 |
| Interference resistance | EN 61000-6-2 |
| Mains connection | 1~230 V, 50/60 Hz |
| Power consumption $P_{1 \max}$ | 75 W |
| Min. speed n_{\min} | 500 1/min |
| Max. speed n_{\max} | 4800 1/min |
| Protection class motor | IPX4D |

Motor data

| | |
|---------------------------|----------|
| Threaded cable connection | 1 x PG11 |
|---------------------------|----------|

Materials

| | |
|--------------|---------------------------|
| Pump housing | Grey cast iron |
| Impeller | PP-GF40 |
| Shaft | Stainless steel |
| Bearing | Carbon, metal-impregnated |

Installation dimensions

| | |
|---|--------|
| Pipe connection on the suction side <i>DN_s</i> | G 2 |
| Pipe connection on the discharge side <i>DN_d</i> | G 2 |
| Port-to-port length <i>L₀</i> | 180 mm |

Ordering information

| | |
|------------------------------|-----------------------|
| Brand | Wilo |
| Product description | Stratos PICO 30/0,5-8 |
| Net weight, approx. <i>m</i> | 2.2 kg |
| Article number | 4244401 |

Mechanical accessories

Pipe installation

Screwed connections/adapters

| | |
|--|-----------|
| Screwed connection Rp 1¼ x G 2, 48 Set | 112047390 |
| Screwed connection Rp 1¼ x G 2, 1 Set | 4092742 |

Pipe installation, adapter fitting

Flanged rings RF

| | |
|----------------------------|-----------|
| Flanged ring RF 1, PN6 | 110627990 |
| Flanged ring RF 0, PN6 | 110679796 |
| Flanged ring RF 11, PN6 | 110679899 |
| Flanged ring RF 2, PN6 | 110680298 |
| Flanged ring RF 3, PN6 | 110680596 |
| Flanged ring RF 4, PN6 | 110680699 |
| Flanged ring RF 4, PN10/16 | 110680791 |
| Flanged ring RF 8, PN6 | 110680997 |
| Flanged ring RF 5, PN6 | 110787197 |
| Flanged ring RF 6, PN6 | 110787290 |
| Flanged ring RF 5, PN10/16 | 110791299 |
| Flanged ring RF 6, PN10/16 | 110791391 |
| Flanged ring RF 12, PN6 | 110851797 |

Threaded adapter R

| | |
|---------------------------|-----------|
| Threaded adapter R 8, GG | 110627199 |
| Threaded adapter R 9, GG | 110627291 |
| Threaded adapter R 10, GG | 110627394 |
| Threaded adapter R 14, GG | 110627497 |
| Threaded adapter R 11, GG | 110627590 |

Thermal insulation

Thermal insulation shell

| | |
|--------------------------|---------|
| Thermal insulation shell | 4206066 |
|--------------------------|---------|

Electrical accessories

Pump control

Timer switch SK 601N

| | |
|--------------------|---------|
| Switchgear SK 601N | 2120443 |
|--------------------|---------|

Pump control/interface module

Connect module BMS

| | |
|-------------------------|---------|
| Wilo-Connect module BMS | 4257834 |
|-------------------------|---------|

Wilo-Smart Connect module BT

| | |
|------------------------------|---------|
| Wilo-Smart Connect module BT | 4239241 |
|------------------------------|---------|

Plug

Angle plug

| | |
|------------|---------|
| Angle plug | 4150229 |
|------------|---------|

Connector

| | |
|----------------|---------|
| Wilo-Connector | 4200870 |
|----------------|---------|

Services

With Wilo as your partner, you can not only be sure of choosing high-quality product solutions, but also of benefiting from a comprehensive, worry-free package of well thought-out services. We collaborate to develop a service concept tailored to your individual needs; with our expertise and personal consultancy, we make sure that the operation of your systems is as energy-efficient, reliable and economical as possible. All the while our competent Wilo service technicians are ready to assist you with fast, reliable and on-time support.

Recommended services

| | |
|-----------------------------|---------|
| Wilo-Live Assistant Service | 2216415 |
|-----------------------------|---------|

| | |
|-------------------------------------|---------|
| System Optimisation Glandless pumps | 2219250 |
|-------------------------------------|---------|

| | |
|----------------------------------|---------|
| Energy Solutions Glandless pumps | 2219285 |
|----------------------------------|---------|

More suitable services

| | |
|-----------------------------------|---------|
| Extended Warranty Glandless pumps | 2219589 |
|-----------------------------------|---------|

| | |
|-----------------------------|---------|
| Supervision Glandless pumps | 2219320 |
|-----------------------------|---------|

| | |
|------------------------------|---------|
| Installation Glandless pumps | 2219355 |
|------------------------------|---------|

| | |
|-------------------------------|---------|
| Commissioning Glandless pumps | 2219390 |
|-------------------------------|---------|

| | |
|-----------------------------------|---------|
| Maintenance BASIC Glandless pumps | 2219530 |
|-----------------------------------|---------|

| | |
|-------------------------------------|---------|
| Maintenance COMFORT Glandless pumps | 2219416 |
|-------------------------------------|---------|

| | |
|-------------------------------------|---------|
| Maintenance PREMIUM Glandless pumps | 2219545 |
|-------------------------------------|---------|

| | |
|------------------------|---------|
| Repair Glandless pumps | 2219609 |
|------------------------|---------|