



## Data sheet

### Hydraulic data

|                                    |                       |
|------------------------------------|-----------------------|
| Maximum operating pressure $P_N$   | 10 bar                |
| Head max $H_{max}$                 | 13.6 m                |
| Flow max $Q_{max}$                 | 2.4 m <sup>3</sup> /h |
| Min. fluid temperature $T_{min}$   | -20 °C                |
| Max. fluid temperature $T_{max}$   | 110 °C                |
| Min. ambient temperature $T_{min}$ | -10 °C                |
| Max. ambient temperature $T_{max}$ | 40 °C                 |

### Motor data

|                               |                        |
|-------------------------------|------------------------|
| Energy efficiency index (EEI) | ≤0.23                  |
| Mains connection              | 1~230 V ±10%, 50/60 Hz |
| Rated power $P_2$             | 55 W                   |
| Min. speed $n_{min}$          | 2957 1/min             |
| Max. speed $n_{max}$          | 4807 1/min             |
| Power consumption $P_{1 min}$ | 1 W                    |
| Power consumption $P_{1 max}$ | 75 W                   |
| Emitted interference          | EN 61000-6-3           |
| Interference resistance       | EN 61000-6-2           |
| Electromagnetic compatibility | EN 61800-3             |
| Threaded cable connection     | 1 x PG11               |
| Insulation class              | F                      |
| Protection class              | IPX4D                  |

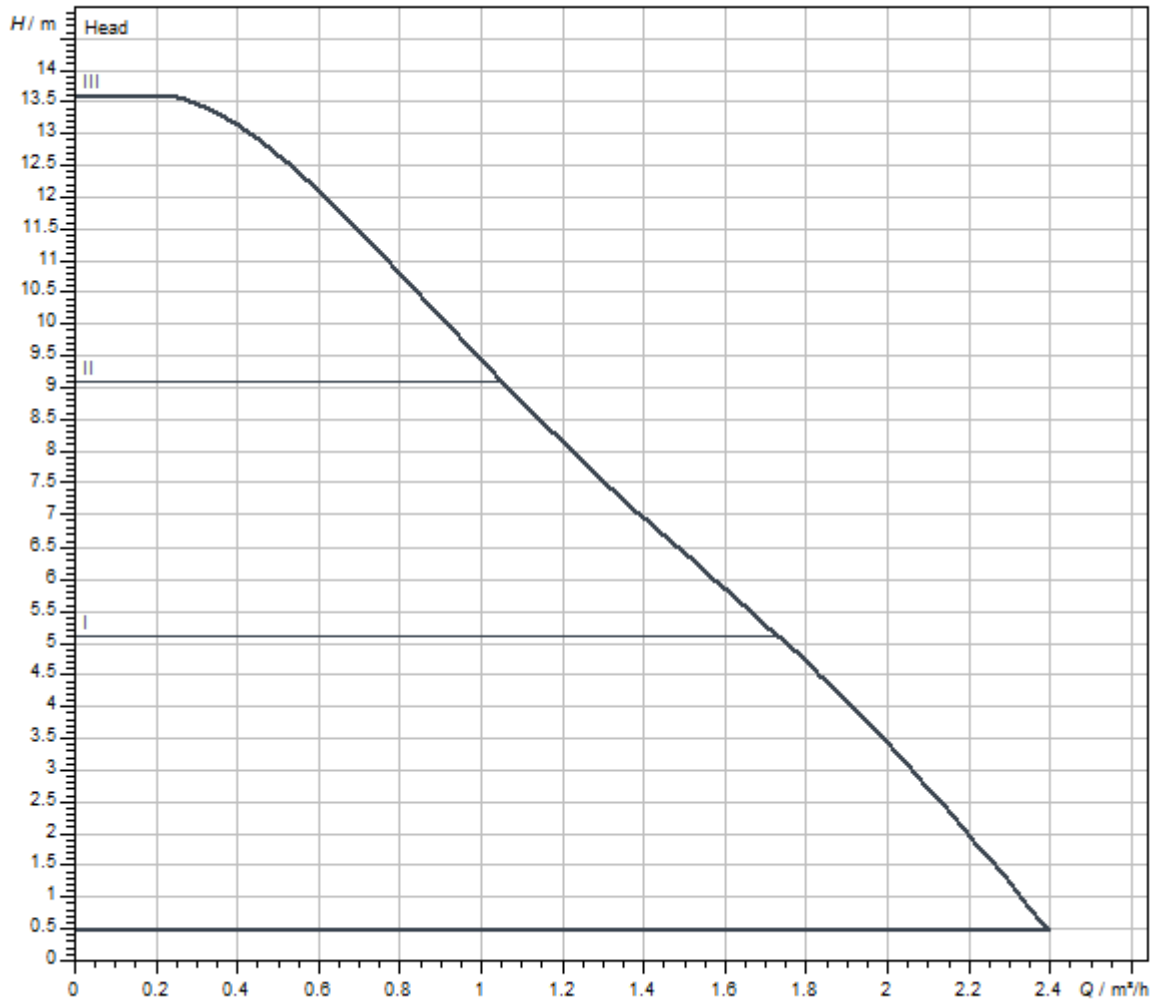
### Materials

|              |                           |
|--------------|---------------------------|
| Pump housing | Grey cast iron            |
| Impeller     | PPO/PS-GF30               |
| Shaft        | Stainless steel           |
| Bearing      | Carbon, metal-impregnated |

### Installation dimensions

|  |        |
|--|--------|
| Pipe connection on the discharge side $DN_d$ | G 1    |
| Pipe connection on the suction side $DN_s$   | G 1    |
| Port-to-port length $L_0$                    | 130 mm |

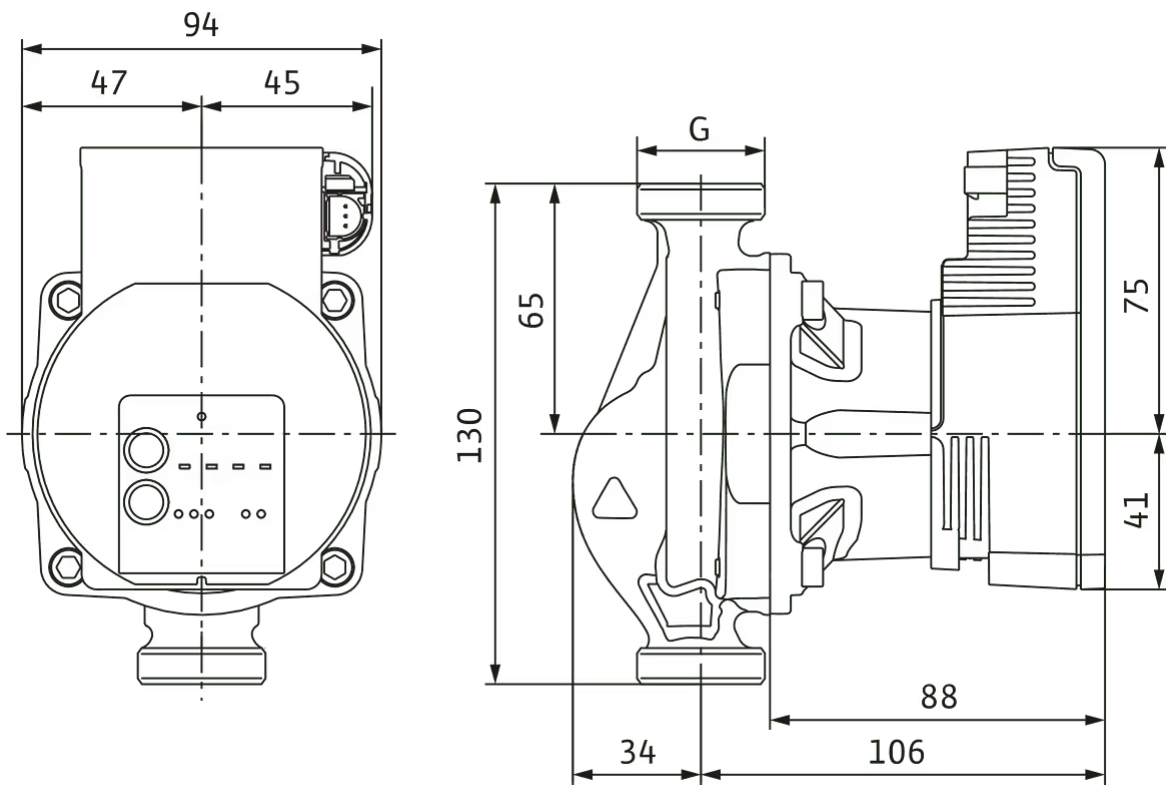
Pump curves



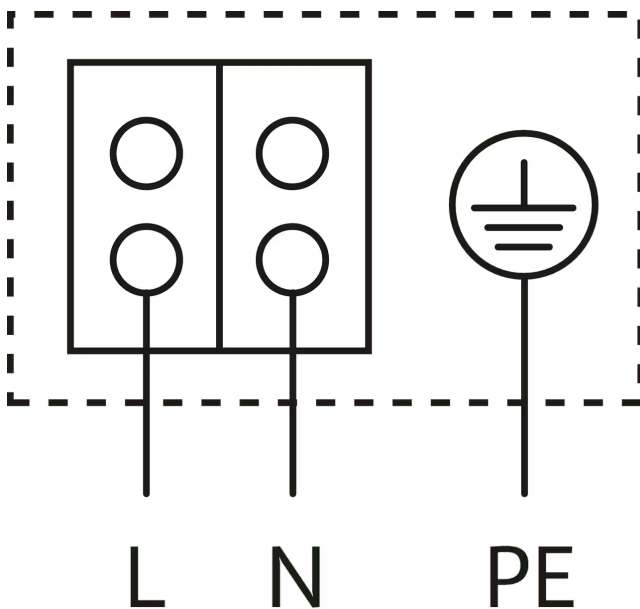
|                     |             |
|---------------------|-------------|
| Fluid media         | Water 100 % |
| Fluid temperature T | 20.00 °C    |

Dimensions and dimensions drawings

Varios PICO-STG 15/1-13



Wiring diagram



Blocking current-proof motor

Single-phase motor (EM) 2-pole - 1~230 V, 50 Hz

### Tender text

High-efficiency pump Wilo-Varios PICO-STG, electronically controlled. Maintenance-free glandless circulator with screwed connection, blocking-current proof synchronous motor according to ECM technology and built-in electronic power control for variable differential pressure control. Can be used for all heating and air-conditioning applications, as well as for solar installations.

Standard-equipped with:

- > Preselectable control modes for optimum load adjustment:
  - > Differential pressure constant ( $\Delta p$ -c), 3 pre-defined pump curves
  - > Differential pressure variable ( $\Delta p$ -v), 3 pre-defined pump curves
  - > Constant speed (3 speed stages)
  - > External control by iPWM ST (solar) signal
- > Sync function (manual programming mode) for reprogramming the pump in the event of replacement

- > Manual pump venting function for venting the rotor chamber
- > Manual restart
- > LED display
  - > Display of selected control mode und pump curve
  - > Status display during venting and manual restart
  - > LED coding during the sync function
  - > Operation and fault display
- > Integrated motor protection
- > Automatic deblocking function
- > Electrical connection cable with 3-pole plug connection and Wilo-Connector
- > PWM connection
- > Cathoretically-coated pump housing

### Operating Data

|                                    |        |
|------------------------------------|--------|
| Min. fluid temperature $T_{min}$   | -20 °C |
| Max. fluid temperature $T_{max}$   | 110 °C |
| Min. ambient temperature $T_{min}$ | -10 °C |
| Max. ambient temperature $T_{max}$ | 40 °C  |
| Maximum operating pressure $P_N$   | 10 bar |

### Motor data

|                               |                   |
|-------------------------------|-------------------|
| Energy efficiency index (EEI) | ≤0.23             |
| Emitted interference          | EN 61000-6-3      |
| Interference resistance       | EN 61000-6-2      |
| Mains connection              | 1~230 V, 50/60 Hz |
| Power consumption $P_{1 max}$ | 75 W              |
| Min. speed $n_{min}$          | 2957 1/min        |
| Max. speed $n_{max}$          | 4807 1/min        |
| Protection class motor        | IPX4D             |
| Threaded cable connection     | 1 x PG11          |

### Materials

|              |                           |
|--------------|---------------------------|
| Pump housing | Grey cast iron            |
| Impeller     | PPO/PS-GF30               |
| Shaft        | Stainless steel           |
| Bearing      | Carbon, metal-impregnated |

### Installation dimensions

|  |        |
|--|--------|
| Pipe connection on the suction side $D_Ns$   | G 1    |
| Pipe connection on the discharge side $D_Nd$ | G 1    |
| Port-to-port length $L_0$                    | 130 mm |

### Ordering information

|                         |                         |
|-------------------------|-------------------------|
| Brand                   | Wilo                    |
| Product description     | Varios PICO-STG 15/1-13 |
| Net weight, approx. $m$ | 1.8 kg                  |
| Article number          | <b>4232746</b>          |

## Mechanical accessories

### Pipe installation

#### Screwed connections/adapters

|                                      |         |
|--------------------------------------|---------|
| Screwed connection Rp ½ x G 1, 1 Set | 4090808 |
|--------------------------------------|---------|

### Thermal insulation

#### Thermal insulation shell

|                          |         |
|--------------------------|---------|
| Thermal insulation shell | 4206066 |
|--------------------------|---------|

## Electrical accessories

### Pump control

#### Timer switch SK 601N

|                    |         |
|--------------------|---------|
| Switchgear SK 601N | 2120443 |
|--------------------|---------|

### Plug

#### Angle plug

|            |         |
|------------|---------|
| Angle plug | 4150229 |
|------------|---------|

#### Connector

|                |         |
|----------------|---------|
| Wilo-Connector | 4200870 |
|----------------|---------|

#### PWM signal cable

|                  |         |
|------------------|---------|
| PWM signal cable | 4193901 |
|------------------|---------|

|                                  |         |
|----------------------------------|---------|
| Bidirectional iPWM control cable | 4222049 |
|----------------------------------|---------|

## Services

With Wilo as your partner, you can not only be sure of choosing high-quality product solutions, but also of benefiting from a comprehensive, worry-free package of well thought-out services. We collaborate to develop a service concept tailored to your individual needs; with our expertise and personal consultancy, we make sure that the operation of your systems is as energy-efficient, reliable and economical as possible. All the while our competent Wilo service technicians are ready to assist you with fast, reliable and on-time support.

### Recommended services

|                                     |         |
|-------------------------------------|---------|
| Wilo-Live Assistant Service         | 2216415 |
| System Optimisation Glandless pumps | 2219250 |
| Energy Solutions Glandless pumps    | 2219285 |

### More suitable services

|                                     |         |
|-------------------------------------|---------|
| Extended Warranty Glandless pumps   | 2219589 |
| Supervision Glandless pumps         | 2219320 |
| Installation Glandless pumps        | 2219355 |
| Commissioning Glandless pumps       | 2219390 |
| Maintenance BASIC Glandless pumps   | 2219530 |
| Maintenance COMFORT Glandless pumps | 2219416 |
| Maintenance PREMIUM Glandless pumps | 2219545 |
| Repair Glandless pumps              | 2219609 |