



## Data sheet

### Hydraulic data

Maximum operating pressure $P_N$	10 bar
Head max $H_{max}$	8.4 m
Flow max $Q_{max}$	4.4 m <sup>3</sup> /h
Min. fluid temperature $T_{min}$	-20 °C
Max. fluid temperature $T_{max}$	110 °C
Min. ambient temperature $T_{min}$	-10 °C
Max. ambient temperature $T_{max}$	40 °C

### Motor data

Energy efficiency index (EEI)	≤0.23
Mains connection	1~230 V ±10%, 50/60 Hz
Rated power $P_2$	55 W
Min. speed $n_{min}$	2695 1/min
Max. speed $n_{max}$	4686 1/min
Power consumption $P_{1 min}$	1 W
Power consumption $P_{1 max}$	75 W
Emitted interference	EN 61000-6-3
Interference resistance	EN 61000-6-2
Electromagnetic compatibility	EN 61800-3
Threaded cable connection	1 x PG11
Insulation class	F
Protection class	IPX4D

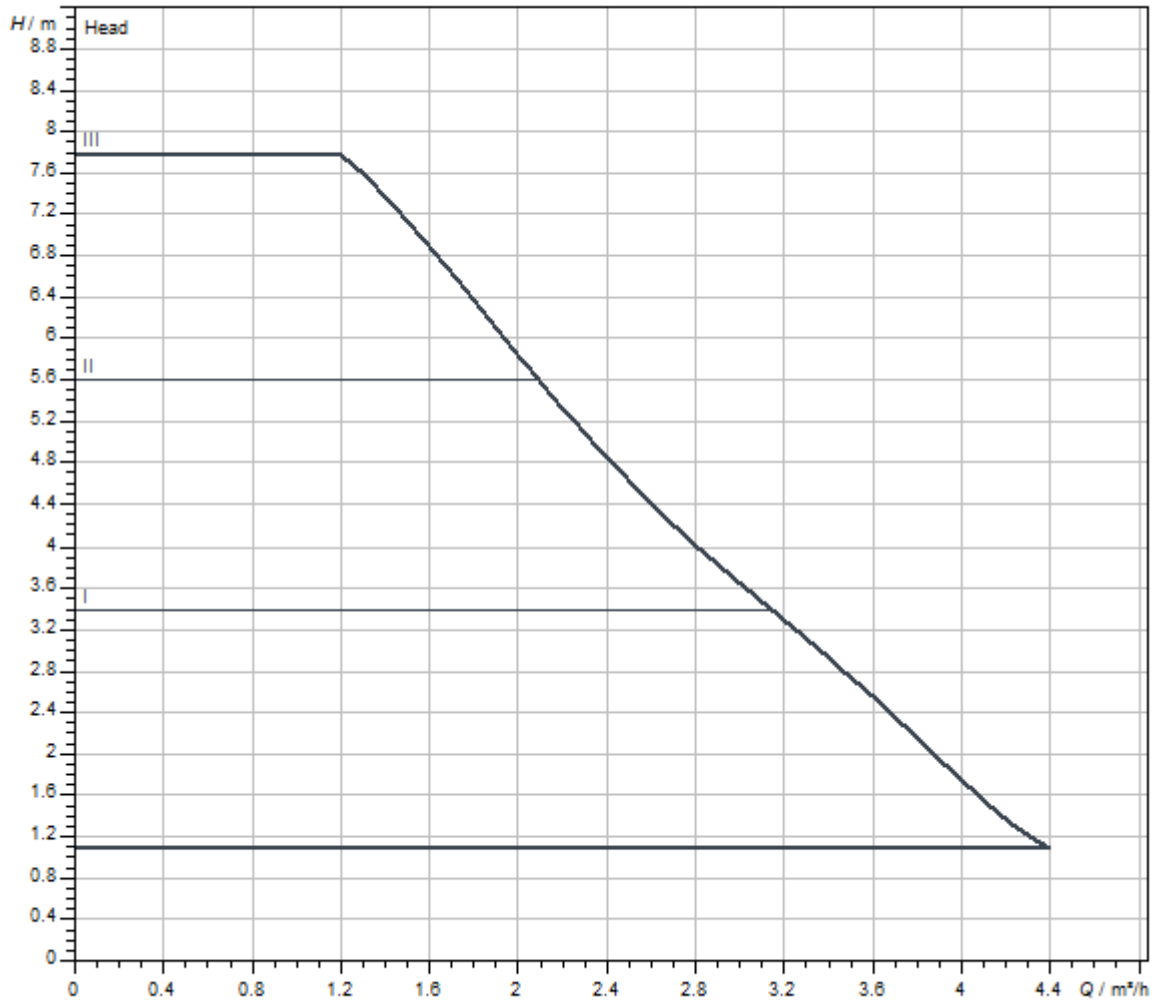
### Materials

Pump housing	Grey cast iron
Impeller	PP-GF40
Shaft	Stainless steel
Bearing	Carbon, metal-impregnated

### Installation dimensions

Pipe connection on the discharge side $DNd$	G 2
Pipe connection on the suction side $DNs$	G 2
Port-to-port length $L0$	180 mm

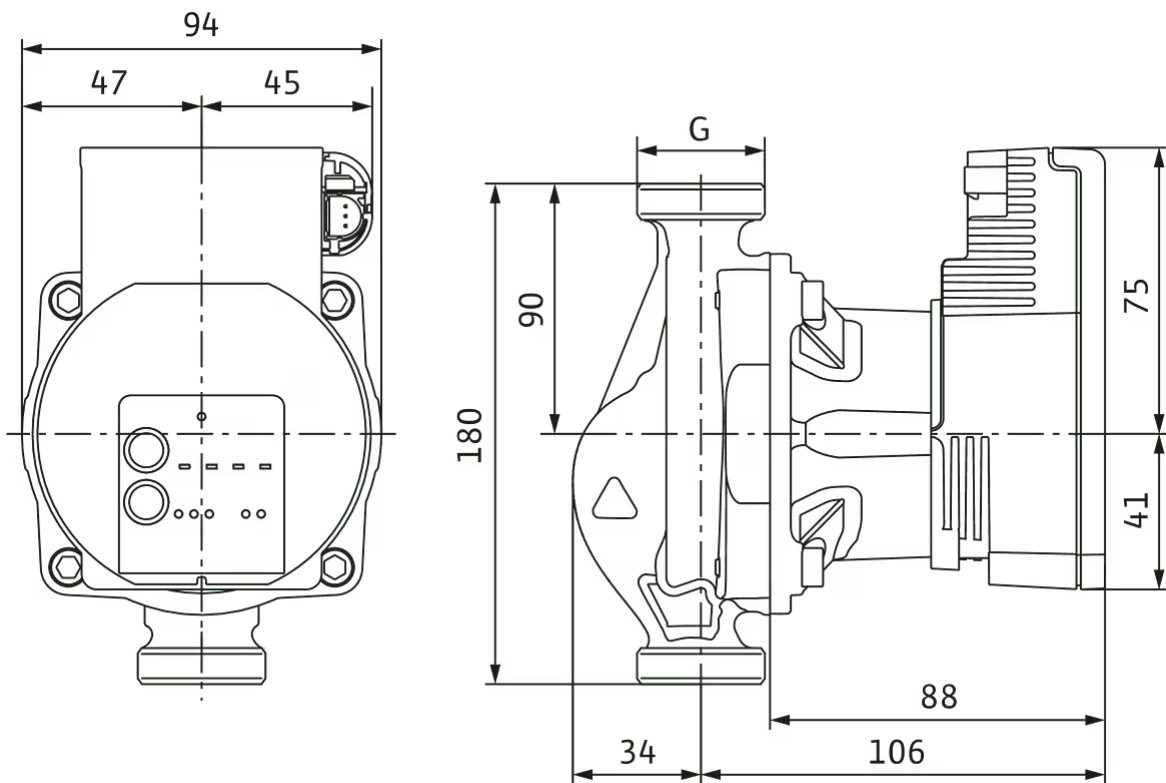
Pump curves



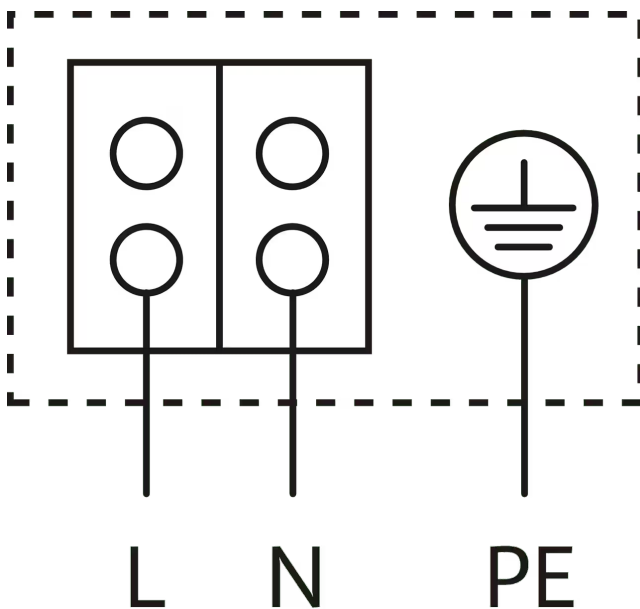
Fluid media	Water 100 %
Fluid temperature T	20.00 °C

Dimensions and dimensions drawings

Varios PICO-STG 30/1-8



Wiring diagram




Blocking current-proof motor

Single-phase motor (EM) 2-pole - 1~230 V, 50 Hz

## Ordering information

### Product data

Brand	Wilo
Product description	Varios PICO-STG 30/1-8
Article number	<b>4232745</b> 
EAN number	4048482943923
Colour	Green
Minimum order quantity	1
Date of sales availability	2019-09-01

### Packaging

Packaging type	Cardboard box
Packaging property	Sales packaging
Pieces per pallet	198
Number per layer	24

### Dimension, weight

Length with packaging	194 mm
Length <i>L</i>	180 mm
Height with packaging	105 mm
Height <i>H</i>	94 mm
Width with packaging	174 mm
Width <i>W</i>	140 mm
Gross weight, approx. <i>m</i>	2.4 kg
Net weight, approx. <i>m</i>	2.2 kg

### Tender text

High-efficiency pump Wilo-Varios PICO-STG, electronically controlled. Maintenance-free glandless circulator with screwed connection, blocking-current proof synchronous motor according to ECM technology and built-in electronic power control for variable differential pressure control. Can be used for all heating and air-conditioning applications, as well as for solar and geothermal systems.

Standard-equipped with:

- > Preselectable control modes for optimum load adjustment:
  - > Differential pressure constant ( $\Delta p$ -c), 3 pre-defined pump curves
  - > Differential pressure variable ( $\Delta p$ -v), 3 pre-defined pump curves
  - > Constant speed (3 speed stages)
  - > External control by iPWM GT (Heating/Geothermal) or iPWM ST (Solar) signal

- > Sync function (manual programming mode) for reprogramming the pump in the event of replacement
- > Manual pump venting function for venting the rotor chamber
- > Manual restart
- > LED display
  - > Display of selected control mode und pump curve
  - > Status display during venting and manual restart
  - > LED coding during the sync function
  - > Operation and fault display
- > Integrated motor protection
- > Automatic deblocking function
- > Electrical connection cable with 3-pole plug connection and Wilo-Connector
- > PWM connection
- > Cathoretically-coated pump housing

### Operating Data

Min. fluid temperature $T_{min}$	-20 °C
Max. fluid temperature $T_{max}$	110 °C
Min. ambient temperature $T_{min}$	-10 °C
Max. ambient temperature $T_{max}$	40 °C
Maximum operating pressure $P_N$	10 bar

### Motor data

Energy efficiency index (EEI)	≤0.23
Emitted interference	EN 61000-6-3
Interference resistance	EN 61000-6-2
Mains connection	1~230 V, 50/60 Hz
Power consumption $P_{1 max}$	75 W
Min. speed $n_{min}$	2695 1/min
Max. speed $n_{max}$	4686 1/min
Protection class motor	IPX4D
Threaded cable connection	1 x PG11

### Materials

Pump housing	Grey cast iron
Impeller	PP-GF40
Shaft	Stainless steel
Bearing	Carbon, metal-impregnated

### Installation dimensions

Pipe connection on the suction side $D_Ns$	G 2
Pipe connection on the discharge side $D_Nd$	G 2
Port-to-port length $L_0$	180 mm

### Ordering information

Brand	Wilo
Product description	Varios PICO-STG 30/1-8
Net weight, approx. $m$	2.2 kg
Article number	<b>4232745</b>

## Mechanical accessories

### Pipe installation

#### Screwed connections/adapters

Screwed connection Rp 1¼ x G 2, 48 Set	112047390
Screwed connection Rp 1¼ x G 2, 1 Set	4092742

### Pipe installation, adapter fitting

#### Flanged rings RF

Flanged ring RF 1, PN6	110627990
Flanged ring RF 0, PN6	110679796
Flanged ring RF 11, PN6	110679899
Flanged ring RF 2, PN6	110680298
Flanged ring RF 3, PN6	110680596
Flanged ring RF 4, PN6	110680699
Flanged ring RF 4, PN10/16	110680791
Flanged ring RF 8, PN6	110680997
Flanged ring RF 5, PN6	110787197
Flanged ring RF 6, PN6	110787290
Flanged ring RF 5, PN10/16	110791299
Flanged ring RF 6, PN10/16	110791391
Flanged ring RF 12, PN6	110851797

#### Threaded adapter R

Threaded adapter R 8, GG	110627199
Threaded adapter R 9, GG	110627291
Threaded adapter R 10, GG	110627394
Threaded adapter R 14, GG	110627497
Threaded adapter R 11, GG	110627590

### Thermal insulation

#### Thermal insulation shell

Thermal insulation shell	4206066
--------------------------	---------

## Electrical accessories

### Pump control

#### Timer switch SK 601N

Switchgear SK 601N	2120443
--------------------	---------

### Plug

#### Angle plug

Angle plug	4150229
------------	---------

#### Connector

Wilo-Connector	4200870
----------------	---------

#### PWM signal cable

PWM signal cable	4193901
Bidirectional iPWM control cable	4222049

## Services

With Wilo as your partner, you can not only be sure of choosing high-quality product solutions, but also of benefiting from a comprehensive, worry-free package of well thought-out services. We collaborate to develop a service concept tailored to your individual needs; with our expertise and personal consultancy, we make sure that the operation of your systems is as energy-efficient, reliable and economical as possible. All the while our competent Wilo service technicians are ready to assist you with fast, reliable and on-time support.

### Recommended services

Wilo-Live Assistant Service	2216415
System Optimisation Glandless pumps	2219250
Energy Solutions Glandless pumps	2219285

### More suitable services

Extended Warranty Glandless pumps	2219589
Supervision Glandless pumps	2219320
Installation Glandless pumps	2219355
Commissioning Glandless pumps	2219390
Maintenance BASIC Glandless pumps	2219530
Maintenance COMFORT Glandless pumps	2219416
Maintenance PREMIUM Glandless pumps	2219545
Repair Glandless pumps	2219609