



Data sheet

Hydraulic data

Maximum operating pressure P_N	10 bar
Head max H_{max}	8.4 m
Flow max Q_{max}	4.4 m ³ /h
Min. fluid temperature T_{min}	-20 °C
Max. fluid temperature T_{max}	110 °C
Min. ambient temperature T_{min}	-10 °C
Max. ambient temperature T_{max}	40 °C

Motor data

Energy efficiency index (EEI)	≤0.23
Mains connection	1~230 V ±10%, 50/60 Hz
Rated power P_2	55 W
Min. speed n_{min}	2695 1/min
Max. speed n_{max}	4686 1/min
Power consumption $P_{1 min}$	1 W
Power consumption $P_{1 max}$	75 W
Emitted interference	EN 61000-6-3
Interference resistance	EN 61000-6-2
Electromagnetic compatibility	EN 61800-3
Threaded cable connection	1 x PG11
Insulation class	F
Protection class	IPX4D

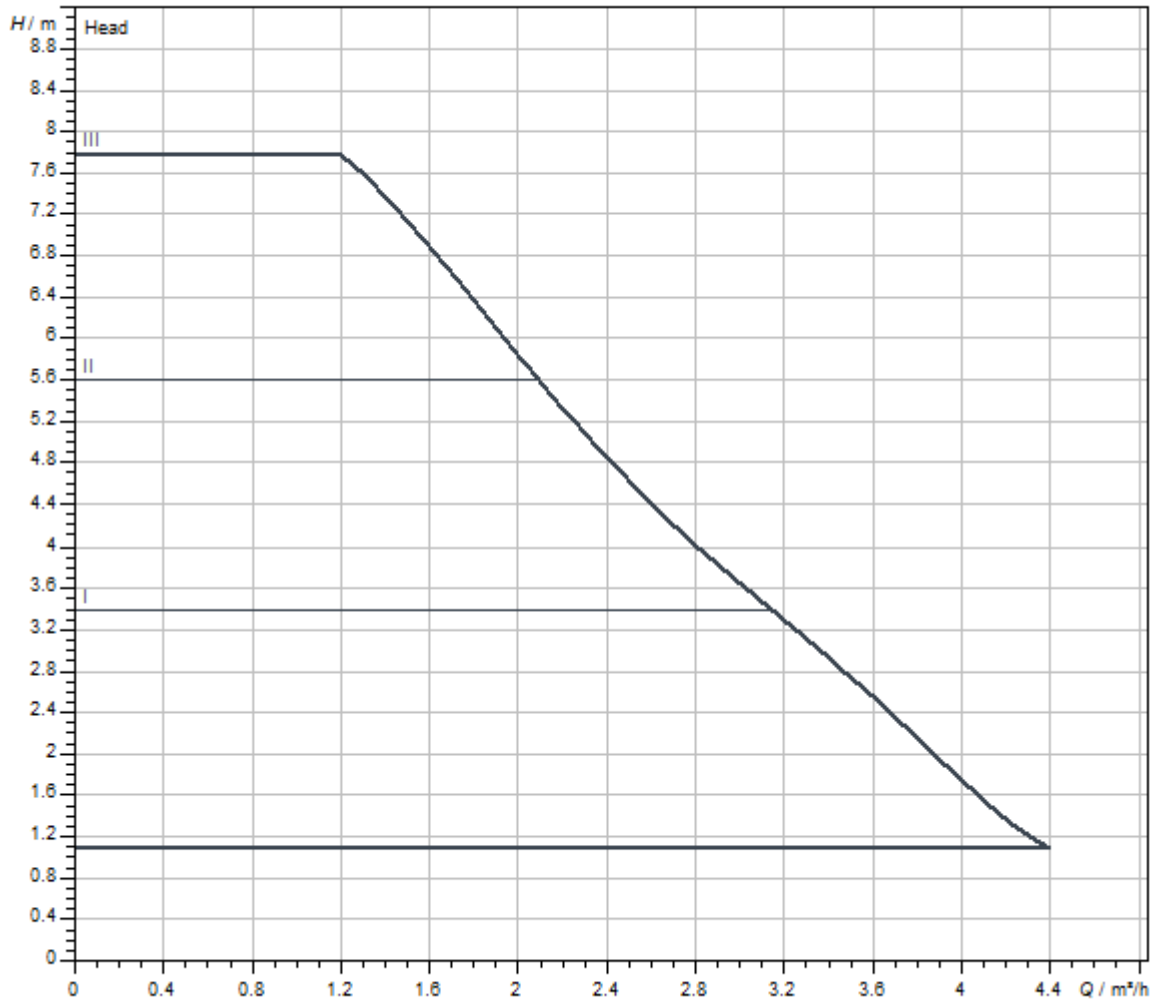
Materials

Pump housing	Grey cast iron
Impeller	PP-GF40
Shaft	Stainless steel
Bearing	Carbon, metal-impregnated

Installation dimensions

Pipe connection on the discharge side DNd	G 1
Pipe connection on the suction side DNs	G 1
Port-to-port length $L0$	130 mm

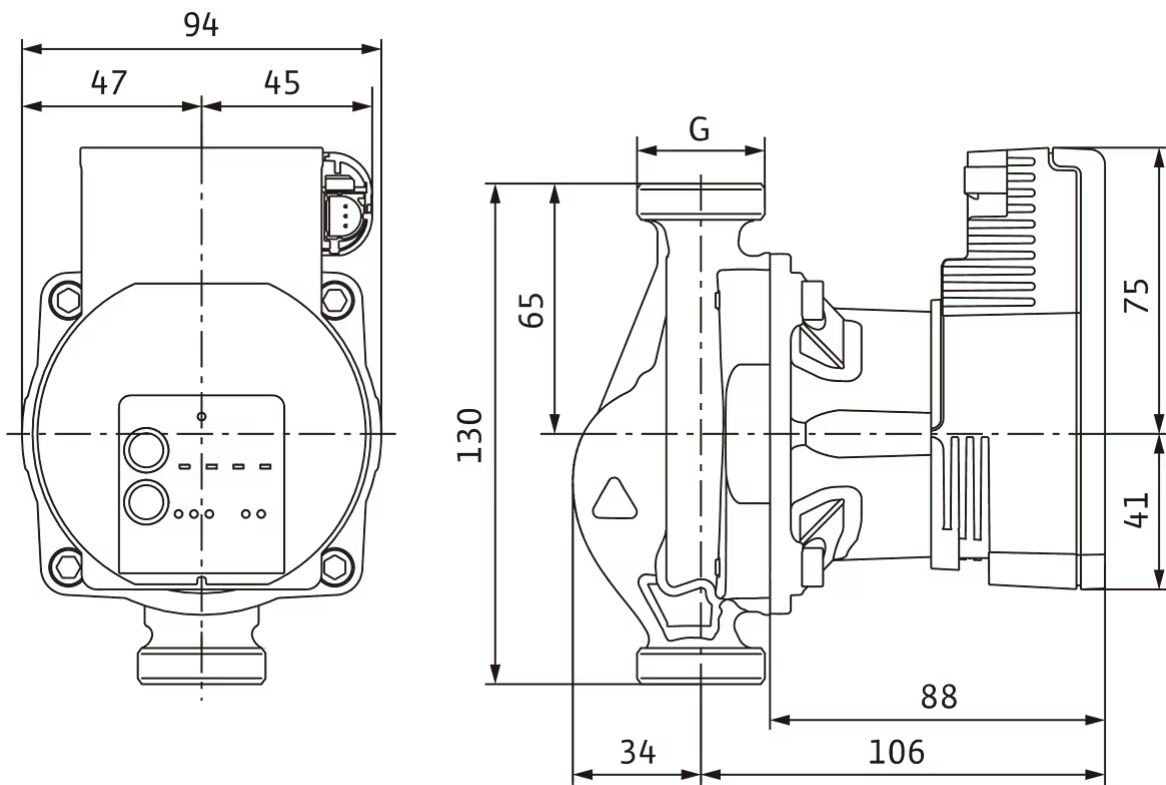
Pump curves



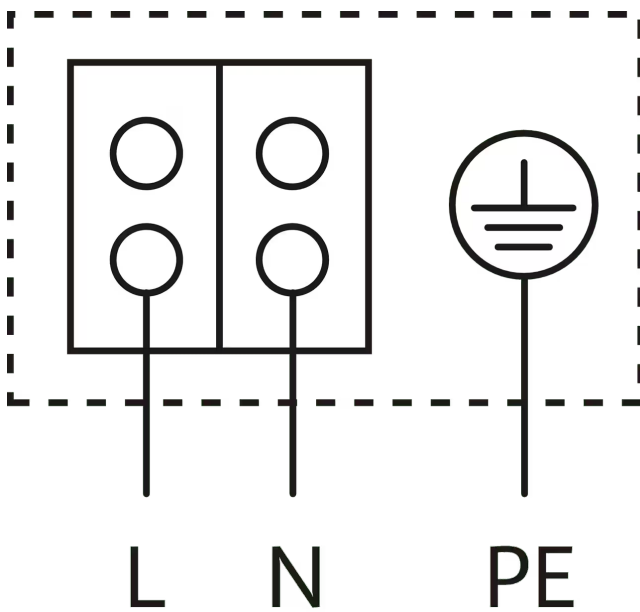
Fluid media	Water 100 %
Fluid temperature T	20.00 °C

Dimensions and dimensions drawings

Varios PICO-STG 15/1-8



Wiring diagram



Blocking current-proof motor

Single-phase motor (EM) 2-pole - 1~230 V, 50 Hz

Tender text

High-efficiency pump Wilo-Varios PICO-STG, electronically controlled. Maintenance-free glandless circulator with screwed connection, blocking-current proof synchronous motor according to ECM technology and built-in electronic power control for variable differential pressure control. Can be used for all heating and air-conditioning applications, as well as for solar and geothermal systems.

Standard-equipped with:

- > Preselectable control modes for optimum load adjustment:
 - > Differential pressure constant (Δp -c), 3 pre-defined pump curves
 - > Differential pressure variable (Δp -v), 3 pre-defined pump curves
 - > Constant speed (3 speed stages)
 - > External control by iPWM GT (Heating/Geothermal) or iPWM ST (Solar) signal

- > Sync function (manual programming mode) for reprogramming the pump in the event of replacement
- > Manual pump venting function for venting the rotor chamber
- > Manual restart
- > LED display
 - > Display of selected control mode und pump curve
 - > Status display during venting and manual restart
 - > LED coding during the sync function
 - > Operation and fault display
- > Integrated motor protection
- > Automatic deblocking function
- > Electrical connection cable with 3-pole plug connection and Wilo-Connector
- > PWM connection
- > Cathoretically-coated pump housing

Operating Data

Min. fluid temperature T_{min}	-20 °C
Max. fluid temperature T_{max}	110 °C
Min. ambient temperature T_{min}	-10 °C
Max. ambient temperature T_{max}	40 °C
Maximum operating pressure P_N	10 bar

Motor data

Energy efficiency index (EEI)	≤0.23
Emitted interference	EN 61000-6-3
Interference resistance	EN 61000-6-2
Mains connection	1~230 V, 50/60 Hz
Power consumption $P_{1 max}$	75 W
Min. speed n_{min}	2695 1/min
Max. speed n_{max}	4686 1/min
Protection class motor	IPX4D
Threaded cable connection	1 x PG11

Materials

Pump housing	Grey cast iron
Impeller	PP-GF40
Shaft	Stainless steel
Bearing	Carbon, metal-impregnated

Installation dimensions

Pipe connection on the suction side DN_s	G 1
Pipe connection on the discharge side DN_d	G 1
Port-to-port length L_0	130 mm

Ordering information

Brand	Wilo
Product description	Varios PICO-STG 15/1-8
Net weight, approx. m	1.8 kg
Article number	4232742

Mechanical accessories

Pipe installation

Screwed connections/adapters

Screwed connection Rp ½ x G 1, 1 Set	4090808
--------------------------------------	---------

Thermal insulation

Thermal insulation shell

Thermal insulation shell	4206066
--------------------------	---------

Electrical accessories

Pump control

Timer switch SK 601N

Switchgear SK 601N	2120443
--------------------	---------

Plug

Angle plug

Angle plug	4150229
------------	---------

Connector

Wilo-Connector	4200870
----------------	---------

PWM signal cable

PWM signal cable	4193901
------------------	---------

Bidirectional iPWM control cable	4222049
----------------------------------	---------

Services

With Wilo as your partner, you can not only be sure of choosing high-quality product solutions, but also of benefiting from a comprehensive, worry-free package of well thought-out services. We collaborate to develop a service concept tailored to your individual needs; with our expertise and personal consultancy, we make sure that the operation of your systems is as energy-efficient, reliable and economical as possible. All the while our competent Wilo service technicians are ready to assist you with fast, reliable and on-time support.

Recommended services

Wilo-Live Assistant Service	2216415
System Optimisation Glandless pumps	2219250
Energy Solutions Glandless pumps	2219285

More suitable services

Extended Warranty Glandless pumps	2219589
Supervision Glandless pumps	2219320
Installation Glandless pumps	2219355
Commissioning Glandless pumps	2219390
Maintenance BASIC Glandless pumps	2219530
Maintenance COMFORT Glandless pumps	2219416
Maintenance PREMIUM Glandless pumps	2219545
Repair Glandless pumps	2219609