



Similar to figure

Data sheet

Hydraulic data

Maximum operating pressure P_N	10 bar
Delivery head for Q_{min} $H_{Q_{min}}$	1.4 m
Max. volume flow Q_{max}	2.4 m ³ /h
Min. fluid temperature T_{min}	2 °C
Max. fluid temperature T_{max}	65 °C
Min. ambient temperature T_{min}	0 °C
Max. ambient temperature T_{max}	40 °C
Max. permitted total water hardness	3.21 mmol/l (18°dH)

Motor data

Mains connection	1~230 V, 50 Hz
Rated power P_2	22.5 W
Rated current I_N	0.22 A
Max. speed n_{max}	2000 1/min
Power consumption $P_{1 max}$	48 W
Emitted interference	EN 61000-6-3
Interference resistance	EN 61000-6-2
Protection class motor	IP44
Insulation class	F
Threaded cable connection	1 x PG11
Motor protection	no

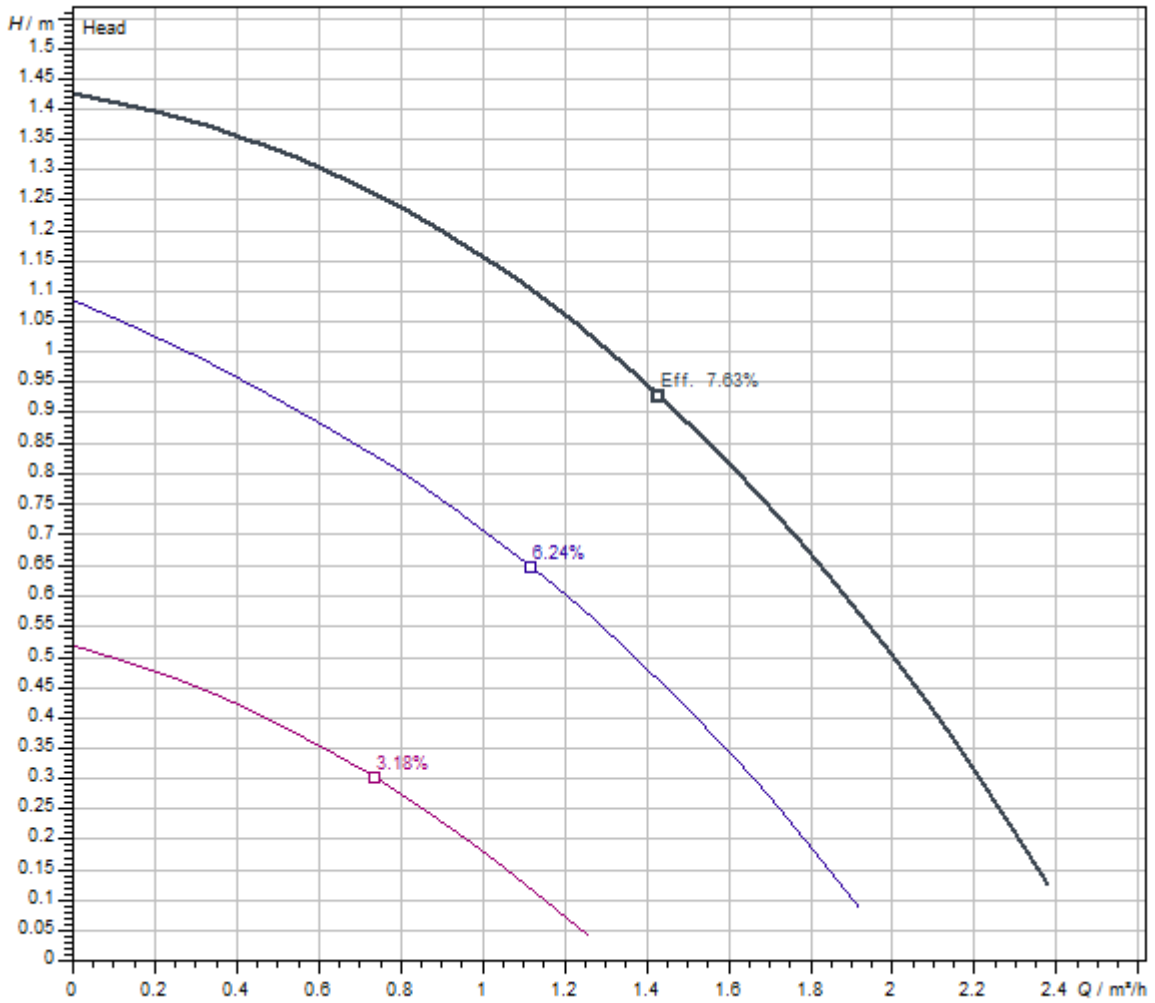
Materials

Pump housing	Bronze, CC499K
Impeller	PPE-GF30
Shaft	Oxide ceramic
Bearing	Carbon, synthetic resin-impregnated

Installation dimensions

Pipe connection on the suction side DN_s	G 1
Pipe connection on the discharge side DN_d	G 1
Port-to-port length L_0	130 mm

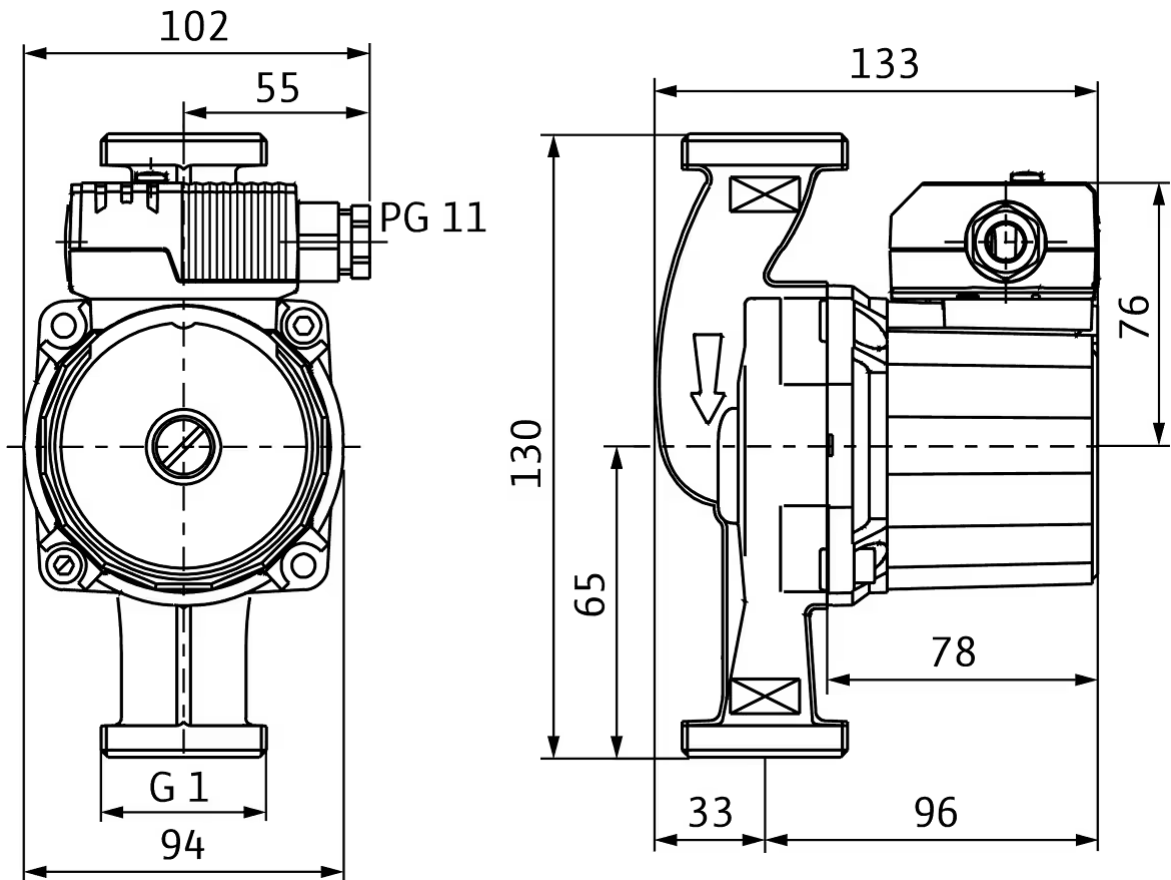
Pump curves



Fluid media	Water 100 %
Fluid temperature <i>T</i>	20.00 °C
speed at duty point <i>n hydr. @ OP</i>	2,900 1/min

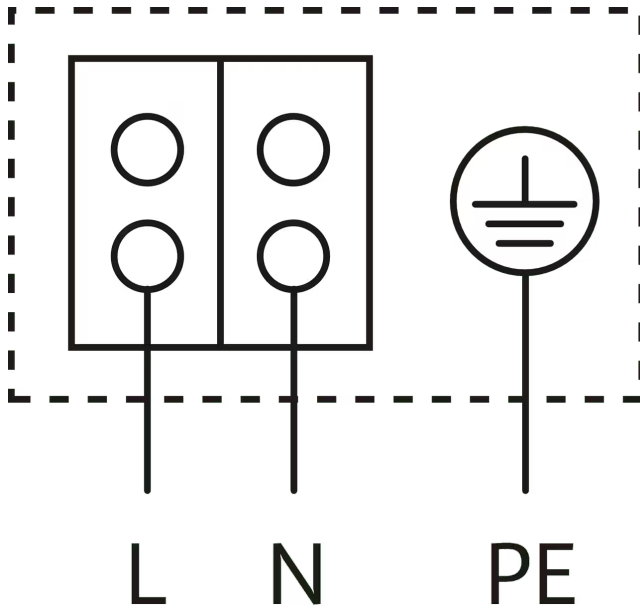
Dimensions and dimensions drawings

Star-Z 20/1-3(15-130)



Wiring diagram

Star-E




Blocking current-proof motor

Single-phase motor (EM) 2-pole - 1~230 V, 50 Hz

With built-in capacitor

Ordering information

Product data

Brand	Wilo
Product description	Star-Z 20/1-3(15-130)
Article number	4232178 
EAN number	4048482895604
Colour	Green
Minimum order quantity	1
Date of sales availability	2019-02-13

Packaging

Packaging type	Cardboard box
Packaging property	Sales packaging
Pieces per pallet	256
Number per layer	32

Dimension, weight

Length with packaging	147 mm
Length <i>L</i>	133 mm
Height with packaging	100 mm
Height <i>H</i>	101 mm
Width with packaging	187 mm
Width <i>W</i>	141 mm
Gross weight, approx. <i>m</i>	2.3 kg
Net weight, approx. <i>m</i>	2.2 kg

Tender text

This circulator is suitable only for drinking water.

Domestic hot water circulator, glandless pump with manual three-stage variable speed control for pipe installation.

Blocking-current proof motor. Pump housing made of bronze, impeller made of fibreglass-reinforced plastic, ceramic shaft with resin-impregnated carbon friction bearings.

Operating Data

Max. fluid temperature T_{max}	65 °C
Min. fluid temperature T_{min}	2 °C
Min. ambient temperature T_{min}	0 °C
Max. ambient temperature T_{max}	40 °C
Temperature range at max. ambient temperature +40 °C T	+2...+65
Maximum operating pressure PN	10 bar
Max. permitted total water hardness	3.21 mmol/l (18°dH)

Motor data

Emitted interference	EN 61000-6-3
Interference resistance	EN 61000-6-2
Mains connection	1~230 V, 50 Hz
Power consumption $P_{1 max}$	48 W
Max. speed n_{max}	2000 1/min
Rated current I_N	0.22 A
Protection class motor	IP44
Threaded cable connection	1 x PG11


Materials

Pump housing	Bronze, CC499K
Impeller	PPE-GF30
Shaft	Oxide ceramic
Bearing	Carbon, synthetic resin-impregnated

Installation dimensions

Pipe connection on the suction side DN_s	G 1
Pipe connection on the discharge side DN_d	G 1
Port-to-port length L_0	130 mm

Ordering information

Brand	Wilo
Product description	Star-Z 20/1-3(15-130)
Net weight, approx. m	2.2 kg
Article number	4232178 

Mechanical accessories

Pipe installation

Screwed connections/adapters

Screwed connection R ½ / ∅ 15 i x G 1, 96 Set	112047493
Screwed connection R ½ / ∅ 15 i x G 1, 1 Set	4092743

Thermal insulation

Size 14 thermal insulation shell

Thermal insulation shell (Size 14)	4046444
------------------------------------	---------

Electrical accessories

Pump control

Timer switch SK 601N

Switchgear SK 601N	2120443
--------------------	---------

Services

With Wilo as your partner, you can not only be sure of choosing high-quality product solutions, but also of benefiting from a comprehensive, worry-free package of well thought-out services. We collaborate to develop a service concept tailored to your individual needs; with our expertise and personal consultancy, we make sure that the operation of your systems is as energy-efficient, reliable and economical as possible. All the while our competent Wilo service technicians are ready to assist you with fast, reliable and on-time support.

Recommended services

Wilo-Live Assistant Service	2216415
-----------------------------	---------

System Optimisation Glandless pumps	2219250
-------------------------------------	---------

Energy Solutions Glandless pumps	2219285
----------------------------------	---------

More suitable services

Extended Warranty Glandless pumps	2219589
-----------------------------------	---------

Supervision Glandless pumps	2219320
-----------------------------	---------

Installation Glandless pumps	2219355
------------------------------	---------

Commissioning Glandless pumps	2219390
-------------------------------	---------

Maintenance BASIC Glandless pumps	2219530
-----------------------------------	---------

Maintenance COMFORT Glandless pumps	2219416
-------------------------------------	---------

Maintenance PREMIUM Glandless pumps	2219545
-------------------------------------	---------

Repair Glandless pumps	2219609
------------------------	---------