



Data sheet

Hydraulic data

Maximum operating pressure P_N	10 bar
Head max H_{max}	7.1 m
Flow max Q_{max}	4.4 m ³ /h
Minimum suction head at 50 °C m	0.5 m
Minimum suction head at 95 °C m	3 m
Minimum suction head at 110 °C	10 m
Min. fluid temperature T_{min}	-10 °C
Max. fluid temperature T_{max}	95 °C
Max. fluid temperature at max. ambient temperature of +25 °C T_{max}	95 °C
Max. fluid temperature at max. ambient temperature of +40 °C T_{max}	95 °C
Min. ambient temperature T_{min}	-10 °C
Max. ambient temperature T_{max}	40 °C

Motor data

Energy efficiency index (EEI)	≤0.23
Mains connection	1~230 V ±10%, 50/60 Hz
Rated power P_2	58 W
Min. speed n_{min}	500 1/min
Max. speed n_{max}	4800 1/min
Power consumption $P_{1 min}$	4 W
Power consumption $P_{1 max}$	75 W
Emitted interference	EN 61000-6-3
Interference resistance	EN 61000-6-2
Electromagnetic compatibility	EN 61800-3
Threaded cable connection	1 x PG11
Insulation class	F
Protection class	IPX4D

Materials

Pump housing	Grey cast iron
Impeller	PP-GF40
Shaft	Stainless steel
Bearing	Carbon, metal-impregnated

Installation dimensions

Pipe connection on the discharge side DNd	G 2
Pipe connection on the suction side DNs	G 2
Port-to-port length $L0$	180 mm

Equipment/function

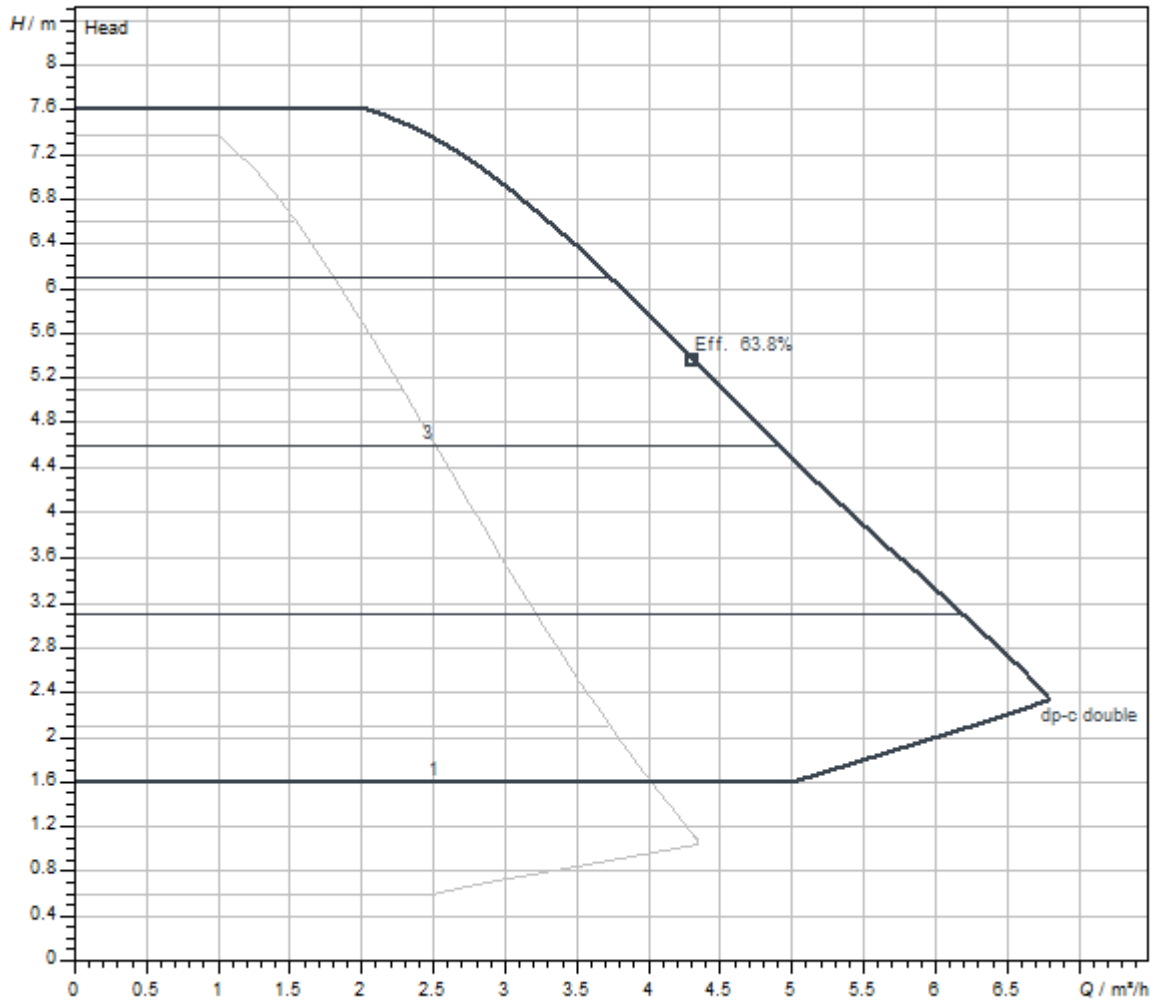
Function

Control mode	Δp -v for variable differential pressure
	Δp -c for constant differential pressure
	Constant speed (3 speed stages)
Multi pump operation	Main/Standby
	Parallel operation
Display	Setpoint
	Actual volume flow
	Actual power consumption
	Manually activated restart or pump venting function
	Error messages in plain text (display: red)
Pump venting function	Manual

Equipment

Approvals and labels	CE
Display	LED segment display
Display information	Basic Version: LED display (small) for showing the set head or speed stage.
Pump control	Electronic-controlled pump
Quick electrical connection	Wilo Connector
Blocking-current proof motor	yes
Particle filter	yes
Operating elements	Green button

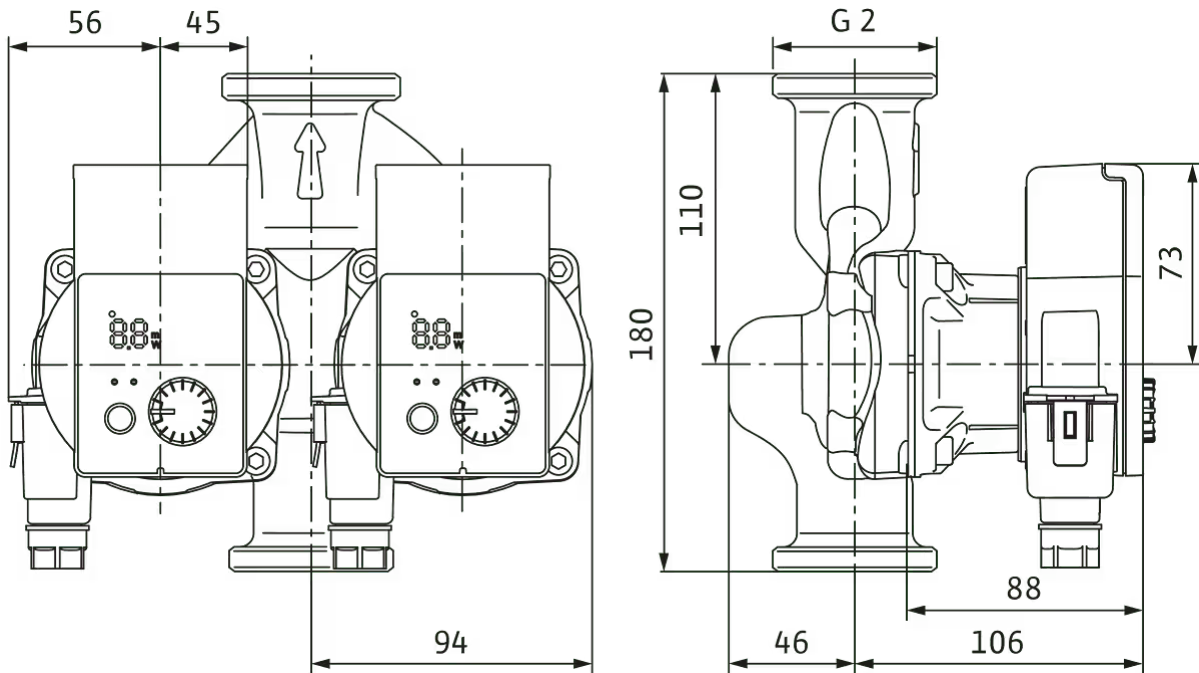
Pump curves



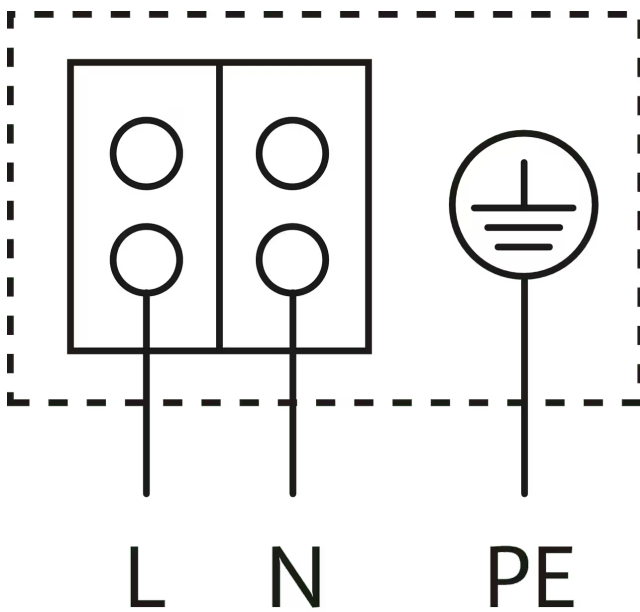
Fluid media	Water 100 %
Fluid temperature <i>T</i>	20.00 °C
speed at duty point <i>n hydr. @ OP</i>	2,900 1/min

Dimensions and dimensions drawings

Yonos PICO-D 30/1-8 PN 10



Wiring diagram



Blocking current-proof motor

Single-phase motor (EM) 2-pole - 1~230 V, 50 Hz

Tender text

High-efficiency pump WILO-Yonos PICO-D, electronically controlled. Glandless twin-head pump with screwed connection, blocking-current proof synchronous motor according to ECM technology and built-in electronic performance control for variable differential pressure control. Can be used for all heating and air-conditioning applications. Control mode can be selected in accordance with the radiator/underfloor heating application.

Each pump can be operated in individual operation (main/standby operation) or both pumps can be operated at the same time in parallel operation (parallel/peak-load operation). For an automatic fault-actuated switchover, a corresponding switchgear must be provided on-site.

Operating Data

Min. fluid temperature T_{\min}	-10 °C
Max. fluid temperature T_{\max}	95 °C
Min. ambient temperature T_{\min}	-10 °C
Max. ambient temperature T_{\max}	40 °C
Maximum operating pressure PN	10 bar
Minimum suction head at 50 °C m	0.5 m
Minimum suction head at 95 °C m	3 m
Minimum suction head at 110 °C	10 m

Motor data

Energy efficiency index (EEI)	≤0.23
Emitted interference	EN 61000-6-3
Interference resistance	EN 61000-6-2
Mains connection	1~230 V, 50/60 Hz
Power consumption $P_{1 \max}$	75 W
Min. speed n_{\min}	500 1/min
Max. speed n_{\max}	4800 1/min
Protection class motor	IPX4D
Threaded cable connection	1 x PG11

Standard-equipped with:

- Preselectable control modes for optimum load adjustment: Differential pressure constant ($\Delta p-c$), differential pressure variable ($\Delta p-v$), constant speed (3 pump curves)
- Integrated motor protection
- LED for setting the setpoint, displaying the current consumption in watts and the flow rate in m^3/h
- Automatic deblocking function
- Manual pump venting function for venting the rotor chamber
- Manual restart

Materials

Pump housing	Grey cast iron
Impeller	PP-GF40
Shaft	Stainless steel
Bearing	Carbon, metal-impregnated

Installation dimensions

Pipe connection on the suction side DN_s	G 2
Pipe connection on the discharge side DN_d	G 2
Port-to-port length L_0	180 mm

Ordering information

Brand	Wilo
Product description	Yonos PICO-D 30/1-8
Net weight, approx. m	4.6 kg
Article number	4230949 