



Data sheet

Hydraulic data

| | |
|--|-----------------------|
| Maximum operating pressure P_N | 10 bar |
| Head max H_{max} | 4.3 m |
| Flow max Q_{max} | 2.7 m ³ /h |
| Minimum suction head at 50 °C m | 0.5 m |
| Minimum suction head at 95 °C m | 3 m |
| Minimum suction head at 110 °C | 10 m |
| Min. fluid temperature T_{min} | -10 °C |
| Max. fluid temperature T_{max} | 95 °C |
| Max. fluid temperature at max. ambient temperature of +25 °C T_{max} | 95 °C |
| Max. fluid temperature at max. ambient temperature of +40 °C T_{max} | 95 °C |
| Min. ambient temperature T_{min} | -10 °C |
| Max. ambient temperature T_{max} | 40 °C |

Motor data

| | |
|-------------------------------|------------------------|
| Energy efficiency index (EEI) | ≤0.18 |
| Mains connection | 1~230 V ±10%, 50/60 Hz |
| Rated power P_2 | 15 W |
| Min. speed n_{min} | 700 1/min |
| Max. speed n_{max} | 3400 1/min |
| Power consumption $P_{1 min}$ | 4 W |
| Power consumption $P_{1 max}$ | 20 W |
| Emitted interference | EN 61000-6-3 |
| Interference resistance | EN 61000-6-2 |
| Electromagnetic compatibility | EN 61800-3 |
| Threaded cable connection | 1 x PG11 |
| Insulation class | F |
| Protection class | IPX4D |

Materials

| | |
|--------------|---------------------------|
| Pump housing | Grey cast iron |
| Impeller | PP-GF40 |
| Shaft | Stainless steel |
| Bearing | Carbon, metal-impregnated |

Installation dimensions

| | |
|---|--------|
| Pipe connection on the discharge side DNd | G 1½ |
| Pipe connection on the suction side DNs | G 1½ |
| Port-to-port length $L0$ | 180 mm |

Equipment/function

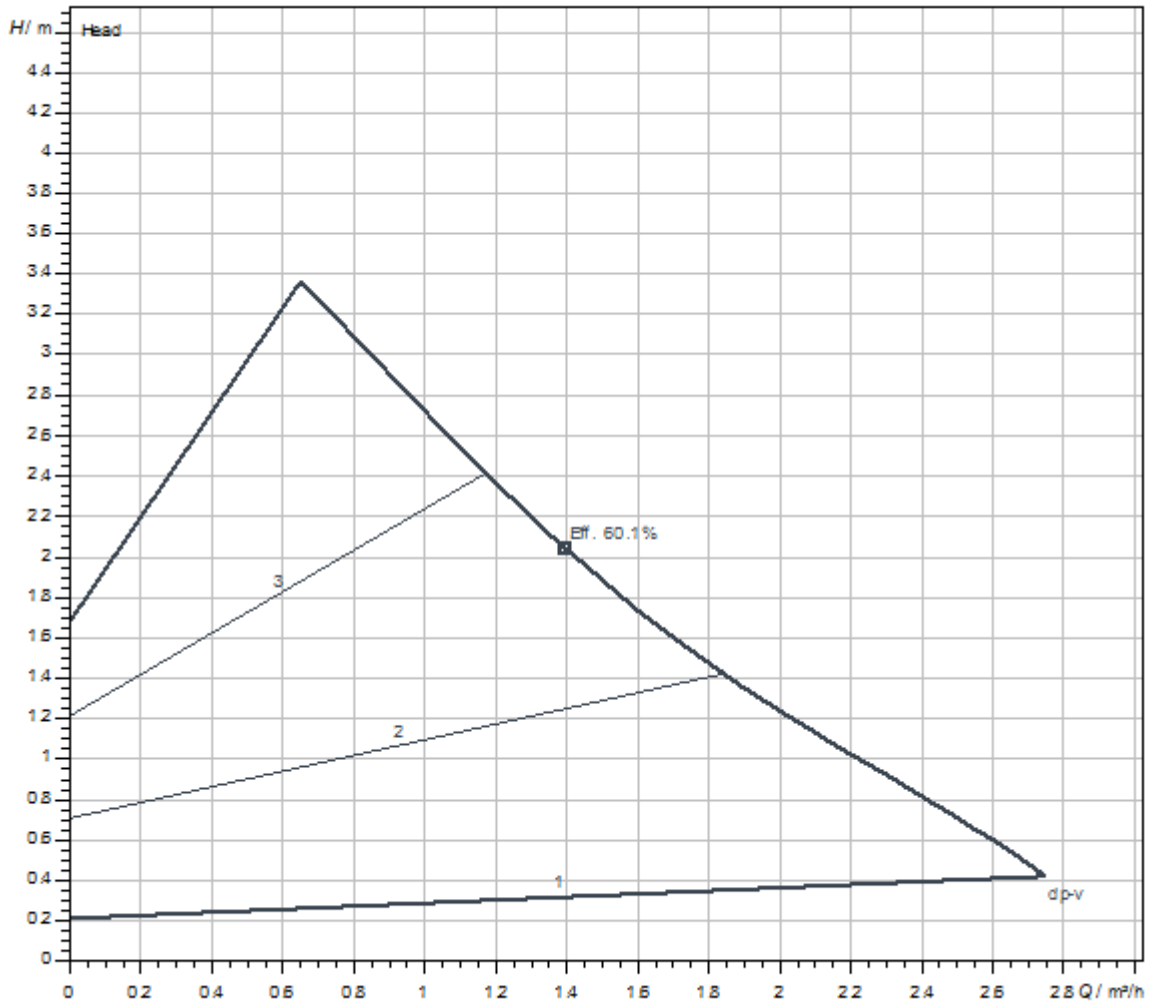
Function

| | |
|-----------------------|---|
| Control mode | Δp -v for variable differential pressure |
| | Δp -c for constant differential pressure |
| | Constant speed (3 speed stages) |
| Display | Setpoint |
| | Actual volume flow |
| | Actual power consumption |
| | Fault signals (error codes) |
| Pump venting function | Manually activated restart or pump venting function |
| | Manual |

Equipment

| | |
|------------------------------|---|
| Approvals and labels | CE |
| | VDE |
| | EAC |
| Display | LED segment display |
| Display information | Basic Version: LED display (small) for showing the set head or speed stage. |
| Pump control | Electronic-controlled pump |
| Quick electrical connection | Wilo Connector |
| Thermal insulation shell | As accessory |
| Blocking-current proof motor | yes |
| Particle filter | yes |
| Operating elements | Green button |

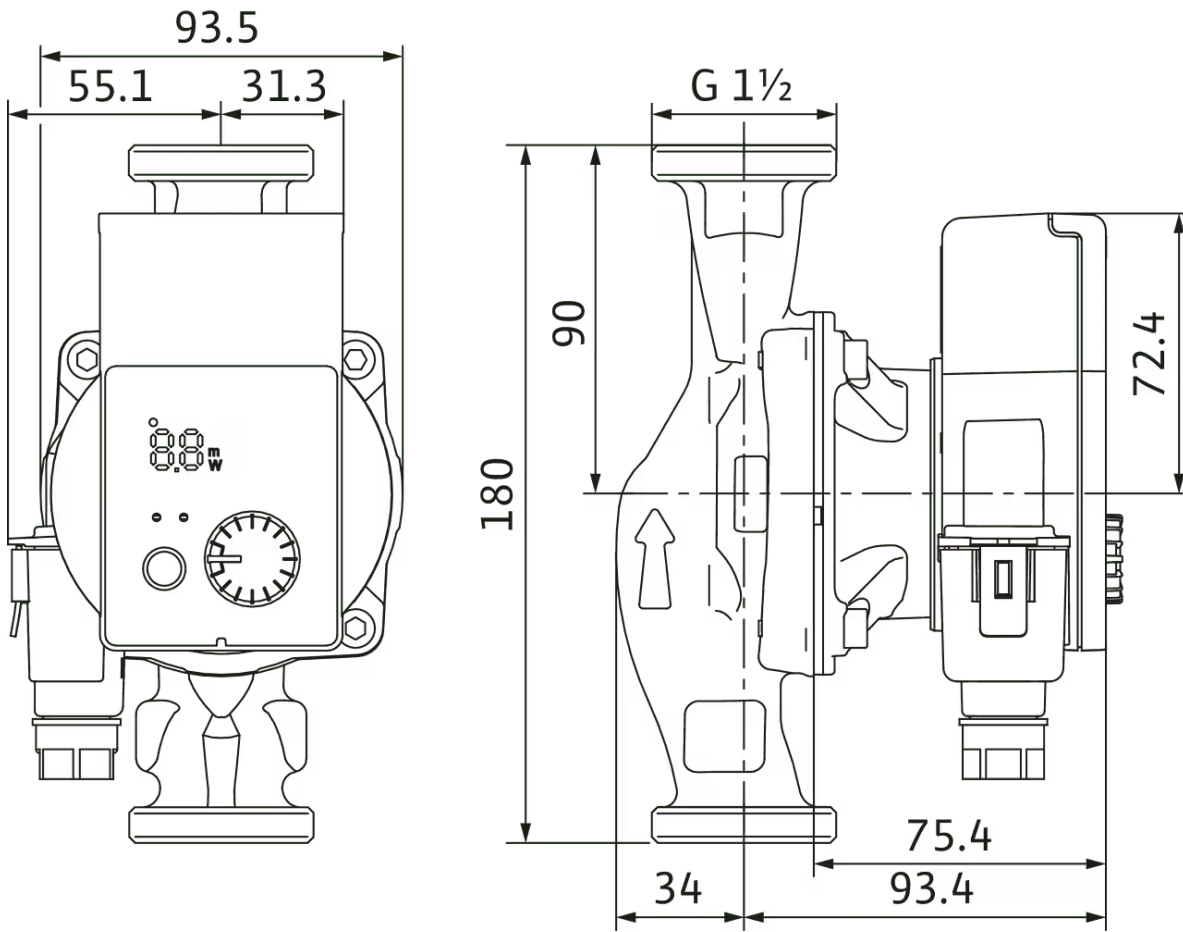
Pump curves



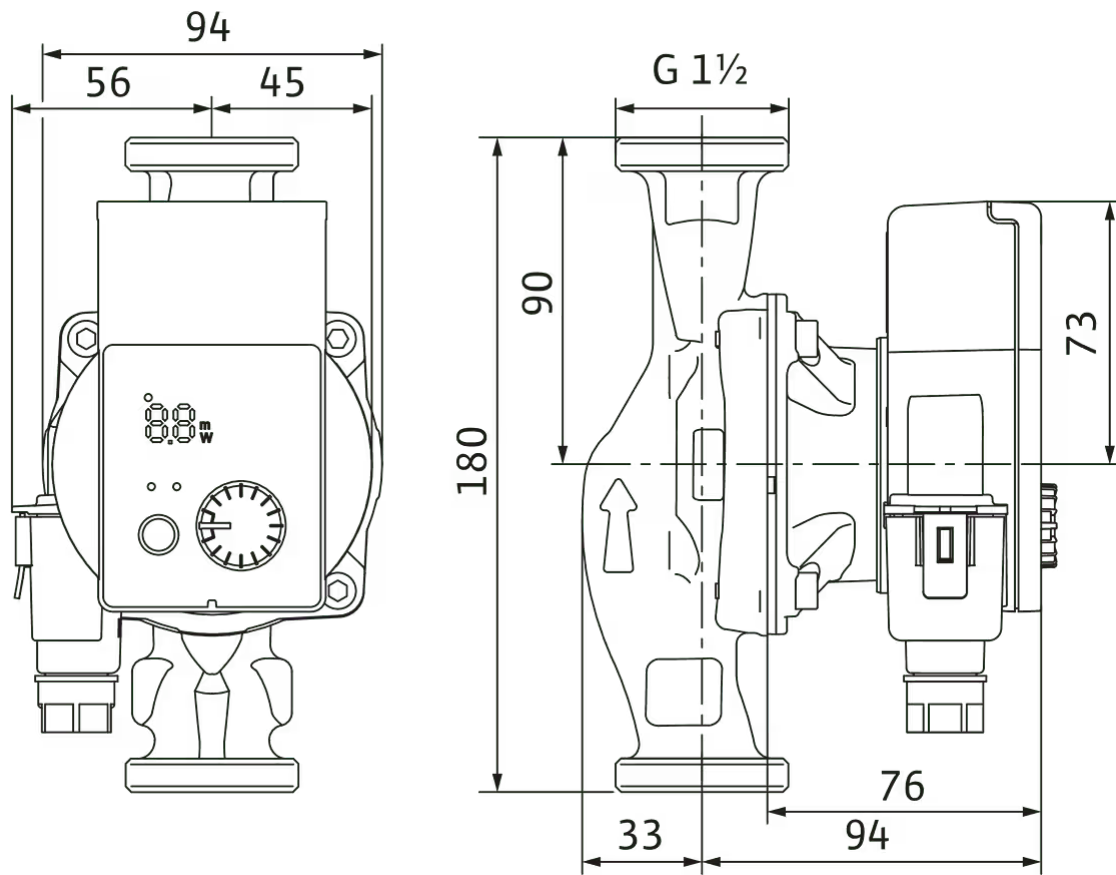
| | |
|---|-------------|
| Fluid media | Water 100 % |
| Fluid temperature <i>T</i> | 20.00 °C |
| speed at duty point <i>n hydr. @ OP</i> | 2,900 1/min |

Dimensions and dimensions drawings

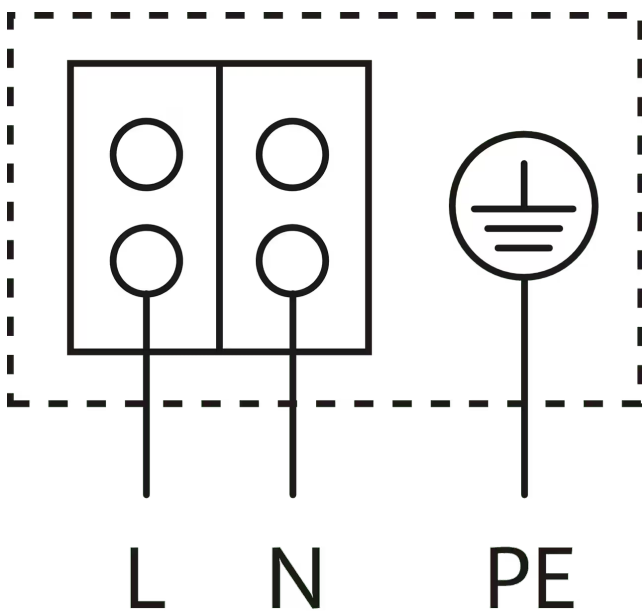
4215513_ConGraph_yonos_pico_row_180_dim_01_1708



Wilo-Yonos PICO 25/1-4 PN 10



Wiring diagram



Blocking current-proof motor

Single-phase motor (EM) 2-pole - 1~230 V, 50 Hz

Tender text

High-efficiency pump Wilo-Yonos PICO, electronically controlled. Maintenance-free glandless circulator with screwed connection, blocking-current proof synchronous motor according to ECM technology and built-in electronic power control for variable differential pressure control. Can be used for all heating and air-conditioning applications. Control mode can be selected in accordance with the radiator/underfloor heating application.

Standard-equipped with:

- > Preselectable control modes for optimum load adjustment: Differential pressure constant (Δp -c), differential pressure variable (Δp -v), constant speed (3 pump curves)
- > Integrated motor protection

- > LED for setting the setpoint, displaying the current consumption in watts and the flow rate in m^3/h
- > Automatic deblocking function
- > Manual pump venting function for venting the rotor chamber
- > Manual restart

Operating Data

| | |
|------------------------------------|--------|
| Min. fluid temperature T_{min} | -10 °C |
| Max. fluid temperature T_{max} | 95 °C |
| Min. ambient temperature T_{min} | -10 °C |
| Max. ambient temperature T_{max} | 40 °C |
| Maximum operating pressure PN | 10 bar |
| Minimum suction head at 50 °C m | 0.5 m |
| Minimum suction head at 95 °C m | 3 m |
| Minimum suction head at 110 °C | 10 m |

Motor data

| | |
|--------------------------------|-------------------|
| Energy efficiency index (EEI) | ≤ 0.18 |
| Emitted interference | EN 61000-6-3 |
| Interference resistance | EN 61000-6-2 |
| Mains connection | 1~230 V, 50/60 Hz |
| Power consumption $P_{1\ max}$ | 20 W |
| Min. speed n_{min} | 700 1/min |
| Max. speed n_{max} | 3400 1/min |
| Protection class motor | IPX4D |
| Threaded cable connection | 1 x PG11 |


Materials

| | |
|--------------|---------------------------|
| Pump housing | Grey cast iron |
| Impeller | PP-GF40 |
| Shaft | Stainless steel |
| Bearing | Carbon, metal-impregnated |

Installation dimensions

| | |
|---|--------|
| Pipe connection on the suction side DNs | G 1½ |
| Pipe connection on the discharge side DNd | G 1½ |
| Port-to-port length $L0$ | 180 mm |

Ordering information

| | |
|-------------------------|--|
| Brand | Wilo |
| Product description | Yonos PICO 25/1-4 |
| Net weight, approx. m | 1.8 kg |
| Article number | 4215513  |

Mechanical accessories

Pipe installation

Screwed connections/adapters

| | |
|--|-----------|
| Screwed connection Rp 1 x G 1½, 72 Set | 112047298 |
| Screwed connection Rp 1 x G 1½, 1 Set | 4092741 |
| Adapter G 1½/G 2 | 4105914 |

Pipe installation, adapter fitting

Flanged rings RF

| | |
|-------------------------|-----------|
| Flanged ring RF 7, PN6 | 110628790 |
| Flanged ring RF 9, PN6 | 110679395 |
| Flanged ring RF 13, PN6 | 110679498 |
| Flanged ring RF 10, PN6 | 110851499 |

Threaded adapter R

| | |
|---------------------------|-----------|
| Threaded adapter R 2, GG | 110626790 |
| Threaded adapter R 6, GG | 110678493 |
| Threaded adapter R 1, GG | 110786891 |
| Threaded adapter R 7, GG | 110787094 |
| Threaded adapter R 24, GG | 110880596 |

Thermal insulation

Thermal insulation shell

| | |
|--------------------------|---------|
| Thermal insulation shell | 4206066 |
|--------------------------|---------|

Electrical accessories

Pump control

Timer switch SK 601N

| | |
|--------------------|---------|
| Switchgear SK 601N | 2120443 |
|--------------------|---------|

Plug

Angle plug

| | |
|------------|---------|
| Angle plug | 4150229 |
|------------|---------|

Connector

| | |
|----------------|---------|
| Wilo-Connector | 4200870 |
|----------------|---------|

Services

With Wilo as your partner, you can not only be sure of choosing high-quality product solutions, but also of benefiting from a comprehensive, worry-free package of well thought-out services. We collaborate to develop a service concept tailored to your individual needs; with our expertise and personal consultancy, we make sure that the operation of your systems is as energy-efficient, reliable and economical as possible. All the while our competent Wilo service technicians are ready to assist you with fast, reliable and on-time support.

Recommended services

| | |
|-----------------------------|---------|
| Wilo-Live Assistant Service | 2216415 |
|-----------------------------|---------|

| | |
|-------------------------------------|---------|
| System Optimisation Glandless pumps | 2219250 |
|-------------------------------------|---------|

| | |
|----------------------------------|---------|
| Energy Solutions Glandless pumps | 2219285 |
|----------------------------------|---------|

More suitable services

| | |
|-----------------------------------|---------|
| Extended Warranty Glandless pumps | 2219589 |
|-----------------------------------|---------|

| | |
|-----------------------------|---------|
| Supervision Glandless pumps | 2219320 |
|-----------------------------|---------|

| | |
|------------------------------|---------|
| Installation Glandless pumps | 2219355 |
|------------------------------|---------|

| | |
|-------------------------------|---------|
| Commissioning Glandless pumps | 2219390 |
|-------------------------------|---------|

| | |
|-----------------------------------|---------|
| Maintenance BASIC Glandless pumps | 2219530 |
|-----------------------------------|---------|

| | |
|-------------------------------------|---------|
| Maintenance COMFORT Glandless pumps | 2219416 |
|-------------------------------------|---------|

| | |
|-------------------------------------|---------|
| Maintenance PREMIUM Glandless pumps | 2219545 |
|-------------------------------------|---------|

| | |
|------------------------|---------|
| Repair Glandless pumps | 2219609 |
|------------------------|---------|