

LNTSX 40-600/55/204CS4

Technical data

Company name
Contact
Phone number
e-mail address

| Operating data | | | | | |
|----------------|---------------------------|---------------------|---------------------------|--------------------|-------|
| 1 | Pumpe type | In-Line Twin head | Fluid | Water, pure | |
| 2 | No. of pumps | 1 | Operating temperature t A | °C | 4 |
| 3 | Nominal flow | m ³ /h 0 | pH-value at t A | | 7 |
| 4 | Nominal head | m 0 | Density at t A | kg/m ³ | 1000 |
| 5 | Static head | m 0 | Vapor pressure at t A | kPa | 100 |
| 6 | Inlet pressure | kPa 0 | Kin. viscosity at t A | mm ² /s | 1.569 |
| 7 | Environmental temperature | °C 20 | Altitude | | 0 |
| 8 | Available system NPSH | m 0 | | | |

| Pump data | | |
|-----------|-----------------------|-------------------|
| 9 | Product version | [X] - Hydrovar X+ |
| 10 | Operating speed | |
| 11 | Stages | 1 |
| 12 | Max. working pressure | kPa 560.6 |
| 13 | Head H(Q=0) | m 57 |
| 14 | Power input P1(max) | kW 6.1 |
| 15 | Total weight | kg 127.4 |
| 16 | Power input | kW |
| 17 | Overall efficiency | % |
| 18 | Shaft power | kW |
| 19 | Pump efficiency | % |
| 20 | NPSH 3% | m |
| 21 | | |

| Materials | | | | |
|-----------|------------------------------|-----------------------------|--|--|
| | Pump | | Shaft Seal | |
| 22 | | | Single mechanical seal, without shaft sleeve | |
| 23 | Volute Casing | Cast Iron | | |
| 24 | Casing Cover | Cast Iron | eMG12 - Ø22mm | BQ7EGG-WA |
| 25 | Impeller | Stainless steel / AISI 316L | | |
| 26 | Stub shaft | Stainless steel / AISI 316L | 1. Rotating ring | Carbon graphite resin impregnated |
| 27 | Wear ring | Stainless steel / AISI 304 | 2. Stationary ring | SiC, silicon carbide, sintered press. less |
| 28 | Impeller lock nut and washer | Stainless steel / AISI 304 | 3. Secondary seal | Ethylene propylene rubber (EPDM) |
| 29 | Impeller key | Stainless steel / AISI 316L | 4. Springs | CrNiMo - Steel |
| 30 | Fill and draing plugs | Stainless steel / AISI 303 | 5. Others | EPDM - WRAS |
| 31 | | | Gaskets of the pump | Ethylene propylene rubber (EPDM) |
| 32 | | | | |
| 33 | | | | |
| 34 | | | | |
| 35 | | | | |
| 36 | | | | |
| 37 | | | | |
| 38 | | | | |
| 39 | | | | |
| 40 | | | | |
| 41 | | | | |

| Motor data | | | | |
|------------|-----------------|-----------------------|--------------------------|-------------------------------|
| 42 | Manufacturer | Xylem | Rated voltage | 380-480V |
| 43 | Specific design | IE5 Three phase motor | Rated current | 11,4-11,0 A |
| 44 | Type | EXM132B5/4.055CH2 | Motor efficiency @400V % | 4/4: 90.6 3/4: 89.9 2/4: 88.5 |
| 45 | Rated power | 5.5 kW | Power factor @400V | 0.8 |
| 46 | Nominal speed | 3600 rpm | Weight | kg 37.2 |
| 47 | Frame size | 132 | | |
| 48 | Size | C | | |

| Remarks | |
|---------|--|
| 49 | |
| 50 | |
| 50 | |
| 52 | |

LNTSX 40-600/55/204CS4

Performance curve

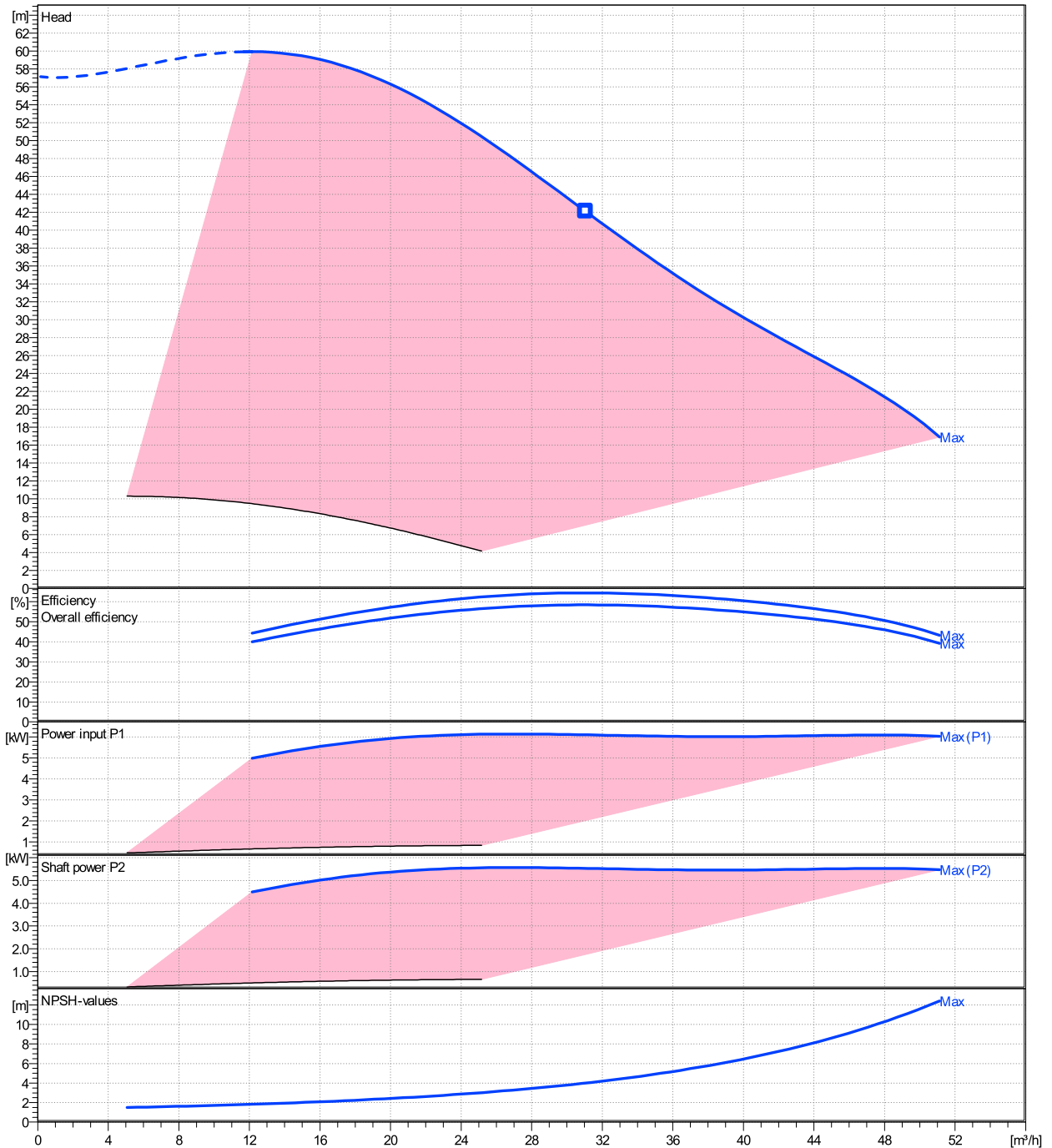
Company name
Contact
Phone number
e-mail address

| Ø | Pump capacity | | | Pump head | | Frequency | Hz | 50/60 |
|------|-----------------|-----------|-----------|-----------|--------|-----------------|------|-------|
| | Operating range | η | η | H(Q=0) | η | | | |
| | Min. m³/h | Max. m³/h | Max. m³/h | m | Max. m | Operating speed | rpm | |
| Max. | 12.2 | 51.1 | 31.1 | 57.1 | 42.1 | Nominal flow | m³/h | 0 |
| | | | | | | Nominal head | m | 0 |
| | | | | | | Inlet pressure | kPa | 0 |
| | | | | | | Static head | m | 0 |

Power datas referred to:

hydr. Performance acceptance acc. To EN ISO 9906 Class 3B

Water, pure [100%] ; 4°C; 1000kg/m³; 1.57mm²/s

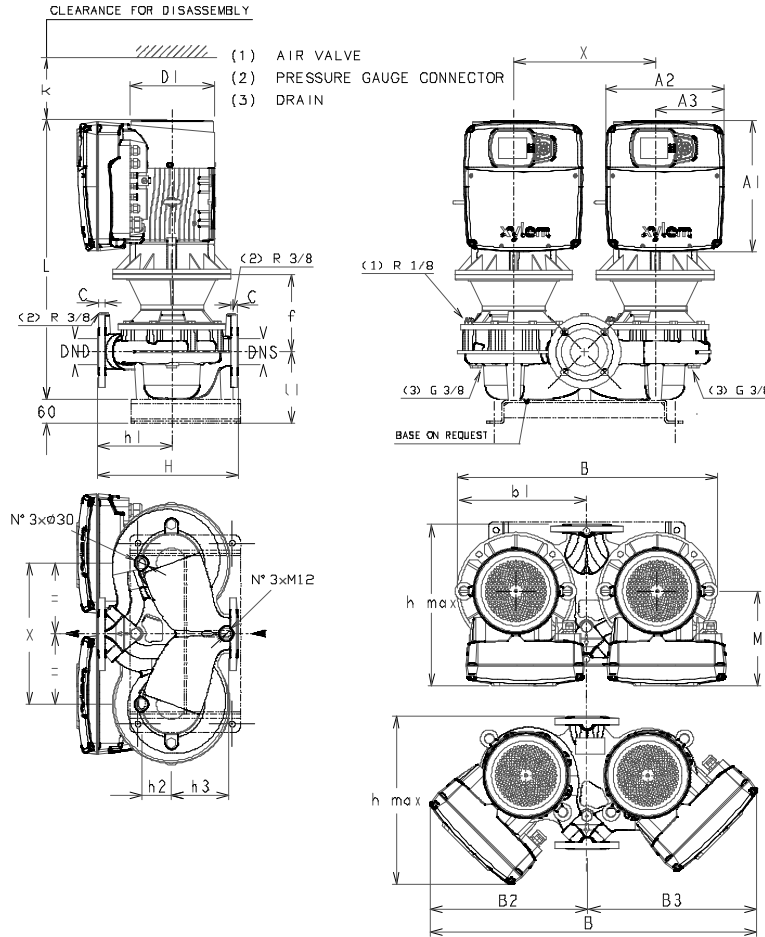


LNTSX 40-600/55/204CS4

Dimensions

Company name
Contact
Phone number
e-mail address

[X] - Hydrovar X+
EXM132B5/4.055CH2



| Dimensions | | [mm] | |
|---------------------|-----------------|--------|--|
| A1 | 329 | | |
| A2 | 302 | | |
| A3 | 175 | | |
| B | 832 | | |
| b1 | 275 | | |
| B3 | 433 | | |
| D1 | 220 | | |
| DND | 40 | | |
| DNS | 40 | | |
| f | 192 | | |
| H | 320 | | |
| h1 | 180 | | |
| h2 | 52 | | |
| h3 | 110 | | |
| hmax | 381 | | |
| IEC | 132 | | |
| k | 300 | | |
| L | 683 | | |
| l1 | 100 | | |
| M | 241 | | |
| Weight | | | |
| Total weight | 127.4 kg | | |

| Connections | | | |
|-------------|------|----------|------|
| EN1092-2 | | EN1092-2 | |
| DN40 | | DN40 | |
| PN16 | | PN16 | |
| C | 18 | C | 18 |
| D | 150 | D | 150 |
| d1 | 84 | d1 | 84 |
| K | 110 | K | 110 |
| L | 4x19 | L | 4x19 |

Note: Value D, C and d may vary from standard

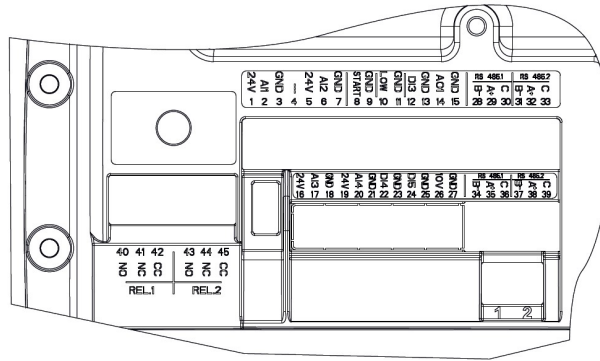
Dimensions and weight without obligation

| | | | | | | | |
|---------|------------------------|------------|--|------------|-----------|-------------|-----------|
| Project | Xylect-20181142 | Created by | | Created on | 6/17/2024 | Last update | 6/17/2024 |
| Block | LNTSX 40-600/55/204CS4 | | | | | | |

LNTSX 40-600/55/204CS4

Technical data

Company name
Contact
Phone number
e-mail address



| REF. | ITEM | DESCRIPTION | DEFAULT |
|------|------------------------|---|-------------------|
| 1 | | Power supply +24 VDC, max. 60mA (total, terminals 1 + 5) | |
| 2 | Analog Input 1 | Configurable Analog Input 1 | Pressure Sensor 1 |
| 3 | | Electronic GND | |
| 4 | Not used | Internal use - Do not connect | |
| 5 | | Power supply +24 VDC, max. 60mA (total, terminals 1 + 5) | |
| 6 | Analog Input 2 | Configurable Analog Input 2 | Not used |
| 7 | | Electronic GND | |
| 8 | External Start/Stop | Start/Stop digital input, +24 VDC internal pull-up, 6mA contact current | - |
| 9 | | Electronic GND | |
| 10 | External Lack of Water | Low water digital input, +24 VDC internal pull-up, 6mA contact current | - |
| 11 | | Electronic GND | |
| 12 | Digital Input 3 | Configurable Digital Input 3, +24 VDC internal pull-up, 6mA contact current | Solo Run |
| 13 | | Electronic GND | |
| 14 | Analog Output | Configurable Analog Output | Motor Speed |
| 15 | | Electronic GND | |
| 16 | | Power supply +24 VDC, max. 60mA (total, terminals 16 and 19) | |
| 17 | Analog Input 3 | Configurable Analog Input 3 | Not used |
| 18 | | Electronic GND | |
| 19 | | Power supply +24 VDC, max. 60mA (total, terminals 16 and 19) | |
| 20 | Analog Input 4 | Configurable Analog Input 4 | Not used |
| 21 | | Electronic GND | |
| 22 | Digital Input 4 | Configurable Digital Input 4, +24 VDC internal pull-up, 6mA contact current | Not used |
| 23 | | Electronic GND | |
| 24 | Digital Input 5 | Configurable Digital Input 5, +24 VDC internal pull-up, 6mA contact current | Not used |
| 25 | | Electronic GND | |
| 26 | | Power supply +10 VDC, max. 3mA | |
| 27 | 10 VDC supply | Electronic GND | - |
| 28 | | RS485 port 1 : RS485-1B N (-) | |
| 29 | Communication bus 1 | RS485 port 1 : RS485-1A P (+) | Multipump |
| 30 | | RS485 port 1 : RS485-COM | |
| 31 | | RS485 port 2 : RS485-2B N (-) | |
| 32 | Communication bus 2 | RS485 port 2 : RS485-2A P (+) | Modbus |
| 33 | | RS485 port 2 : RS485-COM | |
| 34 | | RS485 port 1 : RS485-1B N (-) | |
| 35 | Communication bus 1 | RS485 port 1 : RS485-1A P (+) | Multipump |
| 36 | | RS485 port 1 : RS485-COM | |
| 37 | | RS485 port 2 : RS485-2B N (-) | |
| 38 | Communication bus 2 | RS485 port 2 : RS485-2A P (+) | Modbus |
| 39 | | RS485 port 2 : RS485-COM | |
| 40 | | Configurable relay 1: Normally Open | |
| 41 | Relay 1 | Configurable relay 1: Normally Closed | Running |
| 42 | | Configurable relay 1: Common Contact | |
| 43 | | Configurable relay 2: Normally Open | |
| 44 | Relay 2 | Configurable relay 2: Normally Closed | Error |
| 45 | | Configurable relay 2: Common Contact | |