

# LNTEX 65-770/185/204CS4

## Technical data

Company name  
Contact  
Phone number  
e-mail address

| Operating data |                           |                     |                           |                    |       |
|----------------|---------------------------|---------------------|---------------------------|--------------------|-------|
| 1              | Pumpe type                | In-Line Twin head   | Fluid                     | Water, pure        |       |
| 2              | No. of pumps              | 1                   | Operating temperature t A | °C                 | 4     |
| 3              | Nominal flow              | m <sup>3</sup> /h 0 | pH-value at t A           |                    | 7     |
| 4              | Nominal head              | m 0                 | Density at t A            | kg/m <sup>3</sup>  | 1000  |
| 5              | Static head               | m 0                 | Vapor pressure at t A     | kPa                | 100   |
| 6              | Inlet pressure            | kPa 0               | Kin. viscosity at t A     | mm <sup>2</sup> /s | 1.569 |
| 7              | Environmental temperature | °C 20               | Altitude                  |                    | 0     |
| 8              | Available system NPSH     | m 0                 |                           |                    |       |

| Pump data |                       |                   |
|-----------|-----------------------|-------------------|
| 9         | Product version       | [X] - Hydrovar X+ |
| 10        | Operating speed       |                   |
| 11        | Stages                | 1                 |
| 12        | Max. working pressure | kPa 745.3         |
| 13        | Head H(Q=0)           | m 76              |
| 14        | Power input P1(max)   | kW 20.4           |
| 15        | Total weight          | kg 256.0          |
| 16        | Power input           | kW                |
| 17        | Overall efficiency    | %                 |
| 18        | Shaft power           | kW                |
| 19        | Pump efficiency       | %                 |
| 20        | NPSH 3%               | m                 |
| 21        |                       |                   |

| Materials |                              |                             |  |  |
|-----------|------------------------------|-----------------------------|--|--|
|           | Pump                         |                             | Shaft Seal                                   |  |
| 22        |                              |                             | Single mechanical seal, without shaft sleeve |  |
| 23        | Volute Casing                | Cast Iron                   |  |  |
| 24        | Casing Cover                 | Cast Iron                   | eMG12 - Ø28mm                                | BQ7EGG-WA                                  |
| 25        | Impeller                     | Stainless steel / AISI 304  |  |  |
| 26        | Stub shaft                   | Stainless steel / AISI 316L | 1. Rotating ring                             | Carbon graphite resin impregnated          |
| 27        | Wear ring                    | Stainless steel / AISI 304  | 2. Stationary ring                           | SiC, silicon carbide, sintered press. less |
| 28        | Impeller lock nut and washer | Stainless steel / AISI 304  | 3. Secondary seal                            | Ethylene propylene rubber (EPDM)           |
| 29        | Impeller key                 | Stainless steel / AISI 316L | 4. Springs                                   | CrNiMo - Steel                             |
| 30        | Fill and draing plugs        | Nickel-plated brass         | 5. Others                                    | EPDM - WRAS                                |
| 31        |                              |                             | Gaskets of the pump                          | Ethylene propylene rubber (EPDM)           |
| 32        |                              |                             |  |  |
| 33        |                              |                             |  |  |
| 34        |                              |                             |  |  |
| 35        |                              |                             |  |  |
| 36        |                              |                             |  |  |
| 37        |                              |                             |  |  |
| 38        |                              |                             |  |  |
| 39        |                              |                             |  |  |
| 40        |                              |                             |  |  |
| 41        |                              |                             |  |  |

| Motor data |                 |                       |                          |                               |
|------------|-----------------|-----------------------|--------------------------|-------------------------------|
| 42         | Manufacturer    | Xylem                 | Rated voltage            | 380-480V                      |
| 43         | Specific design | IE5 Three phase motor | Rated current            | 33,5-28,6 A                   |
| 44         | Type            | EXM160B14/4.185DH2    | Motor efficiency @400V % | 4/4: 91.9 3/4: 91.7 2/4: 90.9 |
| 45         | Rated power     | 18.5 kW               | Power factor @400V       | 0.9                           |
| 46         | Nominal speed   | 3600 rpm              | Weight                   | kg 75.5                       |
| 47         | Frame size      | 160                   |                          |                               |
| 48         | Size            | D                     |                          |                               |

| Remarks |  |
|---------|--|
| 49      |  |
| 50      |  |
| 50      |  |
| 52      |  |

# LNTEX 65-770/185/204CS4

## Performance curve

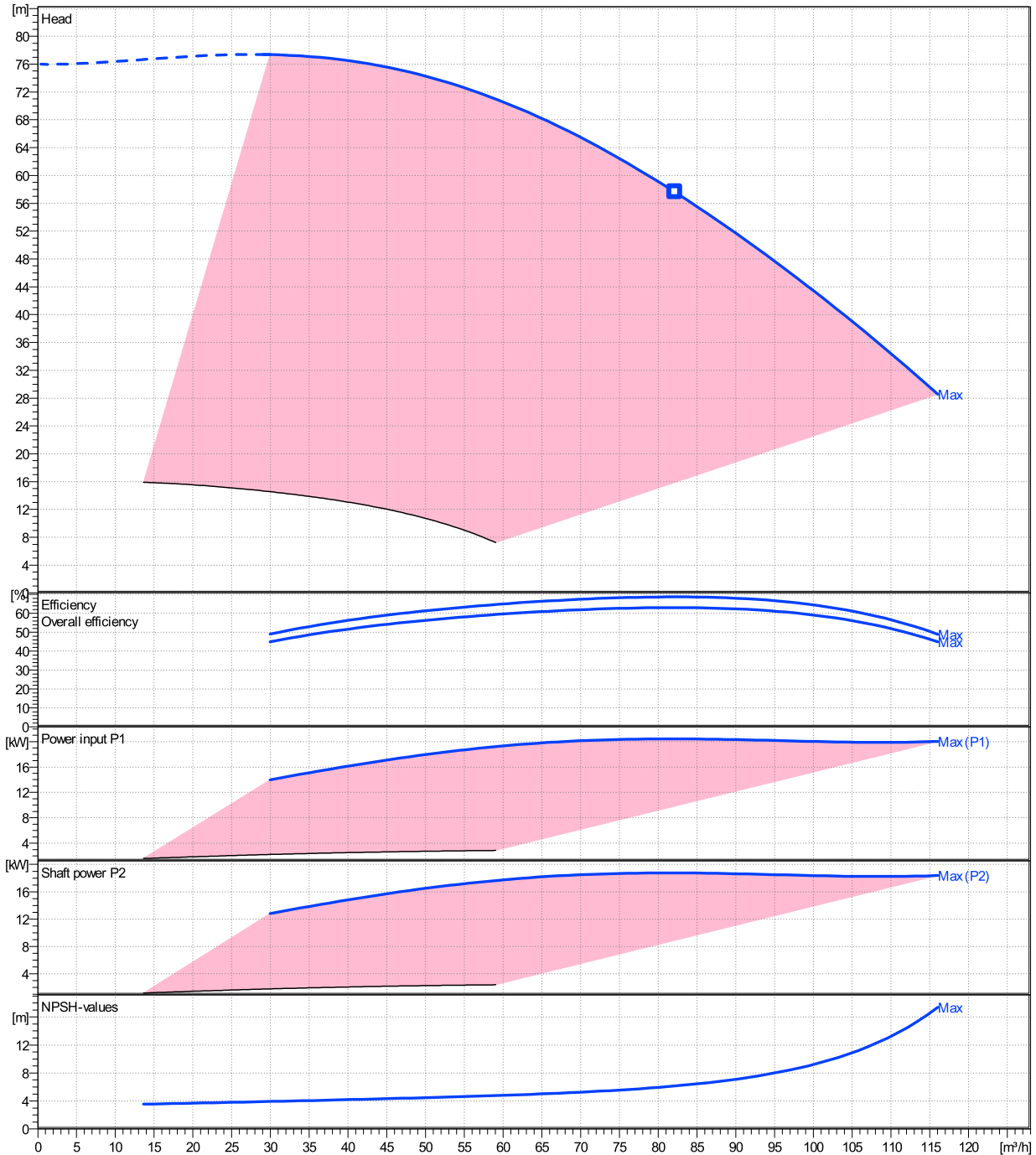
Company name  
Contact  
Phone number  
e-mail address

| Ø    | Pump capacity   |           |           | Pump head |      | Frequency       | Hz   | 50/60 |
|------|-----------------|-----------|-----------|-----------|------|-----------------|------|-------|
|      | Operating range | η         | η         | H(Q=0)    | η    |                 |      |       |
|      | Min. m³/h       | Max. m³/h | Max. m³/h | m         | m    | Operating speed | rpm  |       |
| Max. | 29.9            | 116       | 82.1      | 76        | 57.6 | Nominal flow    | m³/h | 0     |
|      |                 |           |           |           |      | Nominal head    | m    | 0     |
|      |                 |           |           |           |      | Inlet pressure  | kPa  | 0     |
|      |                 |           |           |           |      | Static head     | m    | 0     |

**Power datas referred to:**

hydr. Performance acceptance acc. To EN ISO 9906 Class 3B

Water, pure [100%] ; 4°C; 1000kg/m³; 1.57mm²/s

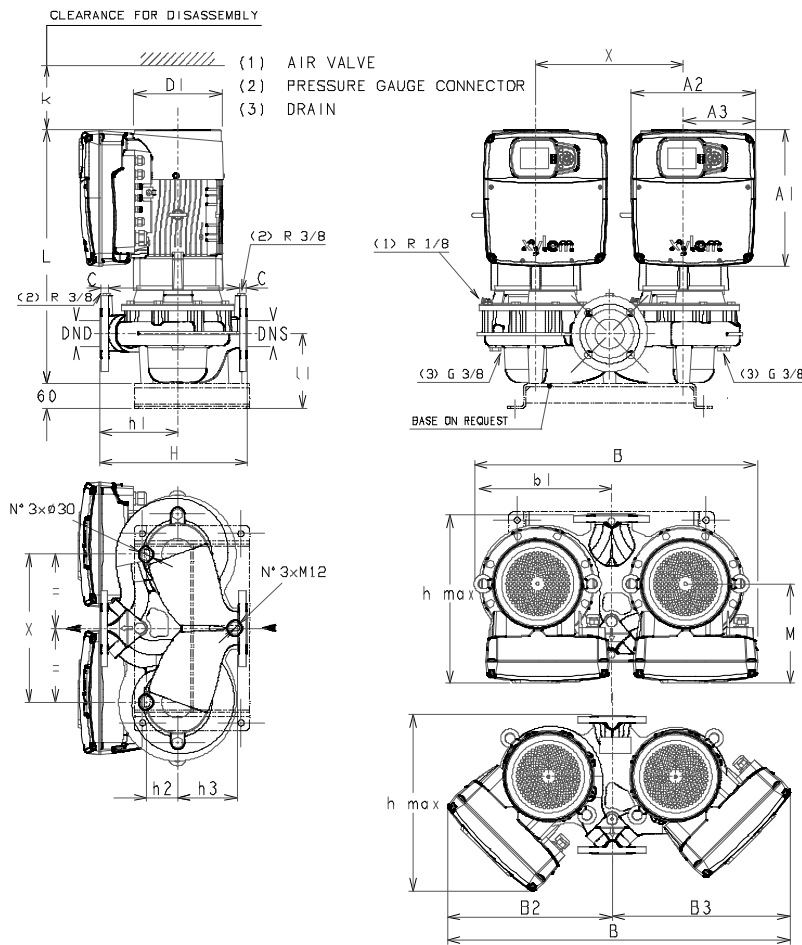


# LNTEX 65-770/185/204CS4

## Dimensions

Company name  
Contact  
Phone number  
e-mail address

[X] - Hydrovar X+  
EXM160B14/4.185DH2



| Dimensions   |        | [ mm ] |  |
|--------------|--------|--------|--|
| A1           | 400    |        |  |
| A2           | 362    |        |  |
| A3           | 205    |        |  |
| B            | 805    |        |  |
| b1           | 377.5  |        |  |
| D1           | 260    |        |  |
| DND          | 65     |        |  |
| DNS          | 65     |        |  |
| H            | 475    |        |  |
| h1           | 250    |        |  |
| h2           | 76     |        |  |
| h3           | 196    |        |  |
| hmax         | 537    |        |  |
| IEC          | 160    |        |  |
| k            | 300    |        |  |
| L            | 698    |        |  |
| l1           | 118    |        |  |
| M            | 312    |        |  |
| Weight       |        |        |  |
| Total weight | 256 kg |        |  |

| Connections |      |          |      |
|-------------|------|----------|------|
| EN1092-2    |      | EN1092-2 |      |
| DN65        |      | DN65     |      |
| PN16        |      | PN16     |      |
| C           | 20   | C        | 20   |
| D           | 185  | D        | 185  |
| d1          | 118  | d1       | 118  |
| K           | 145  | K        | 145  |
| L           | 4x19 | L        | 4x19 |

### Dimensions and weight without obligation

|         |                         |            |           |             |           |
|---------|-------------------------|------------|-----------|-------------|-----------|
| Project | Xylect-20168111         | Created by |           | Last update | 6/13/2024 |
| Block   | LNTEX 65-770/185/204CS4 | Created on | 6/13/2024 |             |           |

**LNTEX 65-770/185/204CS4**

**Technical data**

Company name  
Contact  
Phone number  
e-mail address



| REF. | ITEM                   | DESCRIPTION   | DEFAULT           |
|------|------------------------|---|-------------------|
| 1    |                        | Power supply +24 VDC, max. 60mA (total, terminals 1 + 5)                    |                   |
| 2    | Analog Input 1         | Configurable Analog Input 1   | Pressure Sensor 1 |
| 3    |                        | Electronic GND  |                   |
| 4    | Not used               | Internal use - Do not connect   |                   |
| 5    |                        | Power supply +24 VDC, max. 60mA (total, terminals 1 + 5)                    |                   |
| 6    | Analog Input 2         | Configurable Analog Input 2   | Not used          |
| 7    |                        | Electronic GND  |                   |
| 8    | External Start/Stop    | Start/Stop digital input, +24 VDC internal pull-up, 6mA contact current     | -                 |
| 9    |                        | Electronic GND  |                   |
| 10   | External Lack of Water | Low water digital input, +24 VDC internal pull-up, 6mA contact current      | -                 |
| 11   |                        | Electronic GND  |                   |
| 12   | Digital Input 3        | Configurable Digital Input 3, +24 VDC internal pull-up, 6mA contact current | Solo Run          |
| 13   |                        | Electronic GND  |                   |
| 14   | Analog Output          | Configurable Analog Output  | Motor Speed       |
| 15   |                        | Electronic GND  |                   |
| 16   |                        | Power supply +24 VDC, max. 60mA (total, terminals 16 and 19)                |                   |
| 17   | Analog Input 3         | Configurable Analog Input 3   | Not used          |
| 18   |                        | Electronic GND  |                   |
| 19   |                        | Power supply +24 VDC, max. 60mA (total, terminals 16 and 19)                |                   |
| 20   | Analog Input 4         | Configurable Analog Input 4   | Not used          |
| 21   |                        | Electronic GND  |                   |
| 22   | Digital Input 4        | Configurable Digital Input 4, +24 VDC internal pull-up, 6mA contact current | Not used          |
| 23   |                        | Electronic GND  |                   |
| 24   | Digital Input 5        | Configurable Digital Input 5, +24 VDC internal pull-up, 6mA contact current | Not used          |
| 25   |                        | Electronic GND  |                   |
| 26   | 10 VDC supply          | Power supply +10 VDC, max. 3mA  | -                 |
| 27   |                        | Electronic GND  |                   |
| 28   |                        | RS485 port 1 : RS485-1B N (-)   |                   |
| 29   | Communication bus 1    | RS485 port 1 : RS485-1A P (+)   | Multipump         |
| 30   |                        | RS485 port 1 : RS485-COM  |                   |
| 31   |                        | RS485 port 2 : RS485-2B N (-)   |                   |
| 32   | Communication bus 2    | RS485 port 2 : RS485-2A P (+)   | Modbus            |
| 33   |                        | RS485 port 2 : RS485-COM  |                   |
| 34   |                        | RS485 port 1 : RS485-1B N (-)   |                   |
| 35   | Communication bus 1    | RS485 port 1 : RS485-1A P (+)   | Multipump         |
| 36   |                        | RS485 port 1 : RS485-COM  |                   |
| 37   |                        | RS485 port 2 : RS485-2B N (-)   |                   |
| 38   | Communication bus 2    | RS485 port 2 : RS485-2A P (+)   | Modbus            |
| 39   |                        | RS485 port 2 : RS485-COM  |                   |
| 40   |                        | Configurable relay 1: Normally Open   |                   |
| 41   | Relay 1                | Configurable relay 1: Normally Closed                                       | Running           |
| 42   |                        | Configurable relay 1: Common Contact  |                   |
| 43   |                        | Configurable relay 2: Normally Open   |                   |
| 44   | Relay 2                | Configurable relay 2: Normally Closed                                       | Error             |
| 45   |                        | Configurable relay 2: Common Contact  |                   |