

LNTEX 32-480/30/204CS4

Technical data

Company name
Contact
Phone number
e-mail address

Operating data					
1	Pumpe type	In-Line Twin head	Fluid	Water, pure	
2	No. of pumps	1	Operating temperature t A	°C	4
3	Nominal flow	m ³ /h 0	pH-value at t A		7
4	Nominal head	m 0	Density at t A	kg/m ³	1000
5	Static head	m 0	Vapor pressure at t A	kPa	100
6	Inlet pressure	kPa 0	Kin. viscosity at t A	mm ² /s	1.569
7	Environmental temperature	°C 20	Altitude		0
8	Available system NPSH	m 0			

Pump data		
9	Product version	[X] - Hydrovar X+
10	Operating speed	
11	Stages	1
12	Max. working pressure	kPa 465.1
13	Head H(Q=0)	m 47
14	Power input P1(max)	kW 3.5
15	Total weight	kg 83.2
16	Power input	kW
17	Overall efficiency	%
18	Shaft power	kW
19	Pump efficiency	%
20	NPSH 3%	m
21		

Materials				
	Pump		Shaft Seal	
22			Single mechanical seal, without shaft sleeve	
23	Volute Casing	Cast Iron		
24	Casing Cover	Cast Iron	eMG12 - Ø14mm	BQ7EGG-WA
25	Impeller	Stainless steel / AISI 304		
26	Stub shaft	Stainless steel / AISI 316L	1. Rotating ring	Carbon graphite resin impregnated
27	Wear ring	Stainless steel / AISI 304	2. Stationary ring	SiC, silicon carbide, sintered press.less
28	Impeller lock nut and washer	Stainless steel / AISI 304	3. Secondary seal	Ethylene propylene rubber (EPDM)
29	Impeller key	Stainless steel / AISI 316L	4. Springs	CrNiMo - Steel
30	Fill and draing plugs	Nickel-plated brass	5. Others	EPDM - WRAS
31			Gaskets of the pump	Ethylene propylene rubber (EPDM)
32				
33				
34				
35				
36				
37				
38				
39				
40				
41				

Motor data				
42	Manufacturer	Xylem	Rated voltage	380-480V
43	Specific design	IE5 Three phase motor	Rated current	6,7-5,3 A
44	Type	EXM100B14/4.030BH2	Motor efficiency @400V %	4/4: 87.8 3/4: 87.6 2/4: 85.8
45	Rated power	3 kW	Power factor @400V	0.86
46	Nominal speed	3600 rpm	Weight	kg 23.8
47	Frame size	100		
48	Size	B		

Remarks	
49	
50	
50	
52	

LNTEX 32-480/30/204CS4

Performance curve

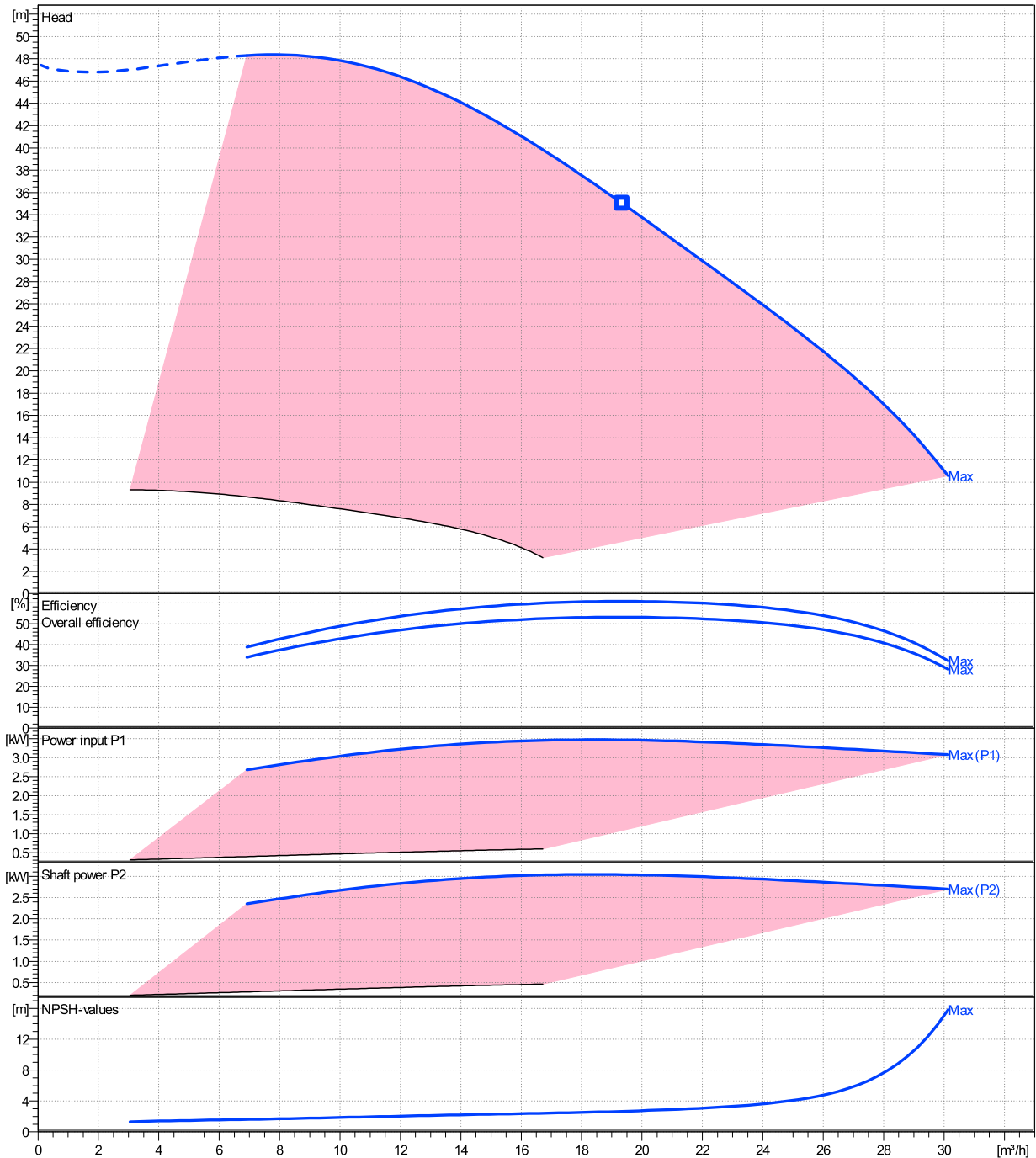
Company name
Contact
Phone number
e-mail address

Ø	Pump capacity			Pump head		Frequency	Hz	50/60
	Operating range	η	η	H(Q=0)	η			
	Min. m³/h	Max. m³/h	Max. m³/h	m	m	Operating speed	rpm	
Max.	6.92	30.1	19.3	47.4	35	Nominal flow	m³/h	0
						Nominal head	m	0
						Inlet pressure	kPa	0
						Static head	m	0

Power datas referred to:

hydr. Performance acceptance acc. To EN ISO 9906 Class 3B

Water, pure [100%] ; 4°C; 1000kg/m³; 1.57mm²/s

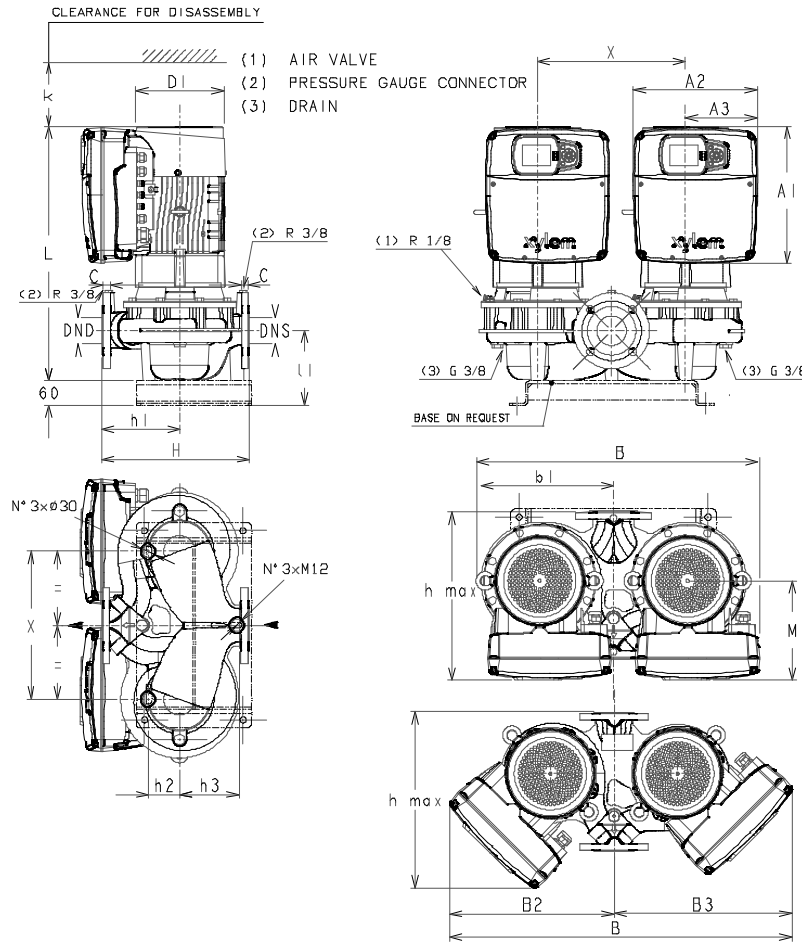


LNTEX 32-480/30/204CS4

Dimensions

Company name
Contact
Phone number
e-mail address

[X] - Hydrovar X+
EXM100B14/4.030BH2



Dimensions		[mm]	
A1	289		
A2	256		
A3	149		
B	704		
b1	257		
B3	367		
D1	179		
DND	32		
DNS	32		
H	320		
h1	180		
h2	40		
h3	110		
hmax	334		
IEC	100		
k	300		
L	514		
l1	90		
M	194		
Weight			
Total weight		83.2 kg	

Connections			
EN1092-2		EN1092-2	
DN32		DN32	
PN16		PN16	
C	18	C	18
D	140	D	140
d1	76	d1	76
K	100	K	100
L	4x19	L	4x19

Note: Value D, C and d may vary from standard

Dimensions and weight without obligation

Project	Xylect-20166598	Created by		Created on	6/13/2024	Last update	6/13/2024
Block	LNTEX 32-480/30/204CS4						

LNTEX 32-480/30/204CS4

Technical data

Company name
Contact
Phone number
e-mail address



REF.	ITEM	DESCRIPTION	DEFAULT
1		Power supply +24 VDC, max. 60mA (total, terminals 1 + 5)	
2	Analog Input 1	Configurable Analog Input 1	Pressure Sensor 1
3		Electronic GND	
4	Not used	Internal use - Do not connect	
5		Power supply +24 VDC, max. 60mA (total, terminals 1 + 5)	
6	Analog Input 2	Configurable Analog Input 2	Not used
7		Electronic GND	
8	External Start/Stop	Start/Stop digital input, +24 VDC internal pull-up, 6mA contact current	-
9		Electronic GND	
10	External Lack of Water	Low water digital input, +24 VDC internal pull-up, 6mA contact current	-
11		Electronic GND	
12	Digital Input 3	Configurable Digital Input 3, +24 VDC internal pull-up, 6mA contact current	Solo Run
13		Electronic GND	
14	Analog Output	Configurable Analog Output	Motor Speed
15		Electronic GND	
16		Power supply +24 VDC, max. 60mA (total, terminals 16 and 19)	
17	Analog Input 3	Configurable Analog Input 3	Not used
18		Electronic GND	
19		Power supply +24 VDC, max. 60mA (total, terminals 16 and 19)	
20	Analog Input 4	Configurable Analog Input 4	Not used
21		Electronic GND	
22	Digital Input 4	Configurable Digital Input 4, +24 VDC internal pull-up, 6mA contact current	Not used
23		Electronic GND	
24	Digital Input 5	Configurable Digital Input 5, +24 VDC internal pull-up, 6mA contact current	Not used
25		Electronic GND	
26		Power supply +10 VDC, max. 3mA	
27	10 VDC supply	Electronic GND	-
28		RS485 port 1 : RS485-1B N (-)	
29	Communication bus 1	RS485 port 1 : RS485-1A P (+)	Multipump
30		RS485 port 1 : RS485-COM	
31		RS485 port 2 : RS485-2B N (-)	
32	Communication bus 2	RS485 port 2 : RS485-2A P (+)	Modbus
33		RS485 port 2 : RS485-COM	
34		RS485 port 1 : RS485-1B N (-)	
35	Communication bus 1	RS485 port 1 : RS485-1A P (+)	Multipump
36		RS485 port 1 : RS485-COM	
37		RS485 port 2 : RS485-2B N (-)	
38	Communication bus 2	RS485 port 2 : RS485-2A P (+)	Modbus
39		RS485 port 2 : RS485-COM	
40		Configurable relay 1: Normally Open	
41	Relay 1	Configurable relay 1: Normally Closed	Running
42		Configurable relay 1: Common Contact	
43		Configurable relay 2: Normally Open	
44	Relay 2	Configurable relay 2: Normally Closed	Error
45		Configurable relay 2: Common Contact	