



※ For pools up to 180 m<sup>3</sup>



- ※ Robust electric pumps constructed with high-quality components and thick materials for extended durability and quiet operation.
- ※ High water flow rate paired with low energy consumption.
- ※ Double insulation between the pump and electric motor ensures maximum safety, with the pump/motor shaft always insulated from water.

- ※ Pre-filter equipped with a transparent cover for easy visual inspection, featuring an extra-large filter basket to reduce cleaning frequency.
- ※ High resistance to heat, chemicals, and salt corrosion.
- ※ Supplied with 2" GAS threaded ISO 228/1 connection fittings and AISI 316 screws

### PERFORMANCE RANGE

- Flow rate up to **700 l/min** (42 m<sup>3</sup>/h)
- Head up to **23 m**

### INSTALLATION AND USE

Self-priming pump with a built-in filter, designed for water circulation in residential swimming pools up to 180 m<sup>3</sup>.

### APPLICATION LIMITS

- Swimming pool water (pH 6.5-8.4).
- Manometric suction head up to **4 m** (HS)
- Liquid temperature up to **+45 °C**
- Ambient temperature up to **+50 °C**
- Maximum working pressure **2.5 bar**

### ELECTRIC MOTOR

The three-phase pumps are equipped with newly developed electric motors designed to work with inverters, which guarantee stable and quiet operation.

Efficiency class **IE3** for three-phase motors, **IE2** for single-phase motors, class F insulation and IP55 protection.

### AVAILABLE UPON REQUEST

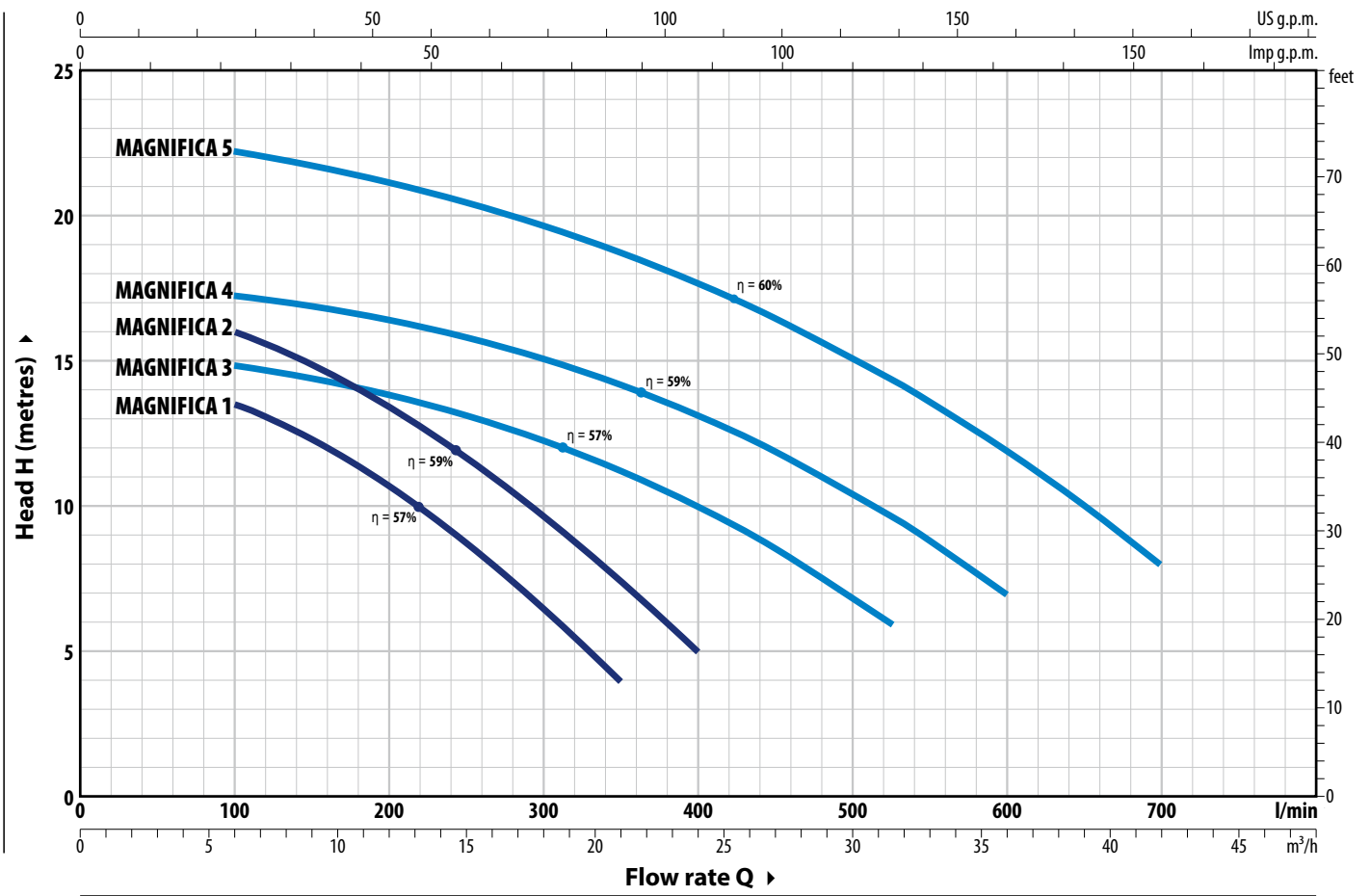
- ※ Different voltage requirements 60 Hz frequency
- ※ Smooth connection fitting **63 mm**
- ※ Smooth connection fitting **2" BS**
- ※ Threaded connection fitting **2" NPT**

### PATENTS - TRADE MARKS - MODELS

- **MAGNIFICA**® Registered trademark no. 018159079
- Registered Community Model No. 007671839

**CURVES AND PERFORMANCE DATA – HS=0 m**

**50 Hz**



TYPE		POWER (P <sub>2</sub> )		1~	3~	Q	H metres											
Single-phase	Three-phase	kW	HP				0	6.0	9.0	12	15	18	21	24	30	36	42	
						l/min	0	100	150	200	250	300	350	400	525	600	700	
MAGNIFICA 1m	MAGNIFICA 1	0.55	0.75				14.5	13.5	12.3	10.7	8.8	6.5	4					
MAGNIFICA 2m	MAGNIFICA 2	0.75	1				17	16	15	13.5	11.7	9.7	7.4	5				
MAGNIFICA 3m	MAGNIFICA 3	1.1	1.5	IE2	IE3		15.5	15	14.4	14	13.2	12.3	11.3	10	6			
MAGNIFICA 4m	MAGNIFICA 4	1.5	2				17.7	17.3	17	16.4	15.8	15	14.2	13	9.6	7		
MAGNIFICA 5m	MAGNIFICA 5	2.2	3				23	22.2	21.8	21.2	20.5	19.7	18.8	17.7	14.4	12	8	

Q = Flow rate H = Total manometric head HS = Suction height

Performance curves comply with EN ISO 9906 Grade 3B tolerance limits.

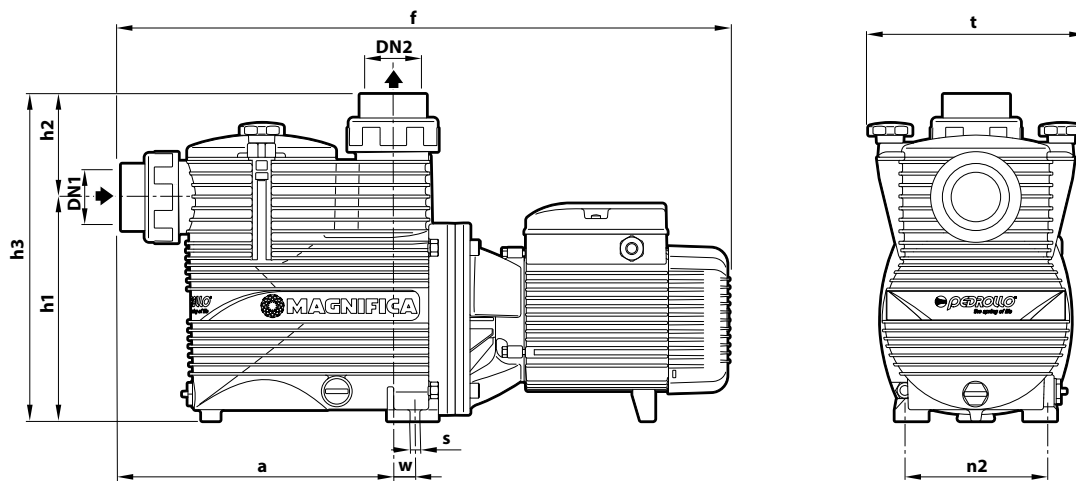
# MAGNIFICA Technical data

## ABSORPTION

TYPE	VOLTAGE
<b>Single-phase</b>	<b>230 V</b>
<b>MAGNIFICA 1m</b>	4.2 A
<b>MAGNIFICA 2m</b>	5.6 A
<b>MAGNIFICA 3m</b>	8.2 A
<b>MAGNIFICA 4m</b>	9.7 A
<b>MAGNIFICA 5m</b>	13.0 A

TYPE	VOLTAGE	
<b>Three-phase</b>	<b>230 V - Δ</b>	<b>400 V - ƿ</b>
<b>MAGNIFICA 1</b>	2.8 A	1.6 A
<b>MAGNIFICA 2</b>	3.6 A	2.1 A
<b>MAGNIFICA 3</b>	5.4 A	3.1 A
<b>MAGNIFICA 4</b>	7.3 A	4.2 A
<b>MAGNIFICA 5</b>	8.6 A	5.0 A

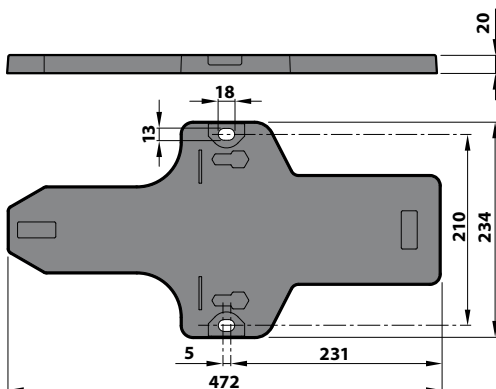
## DIMENSIONS AND WEIGHT



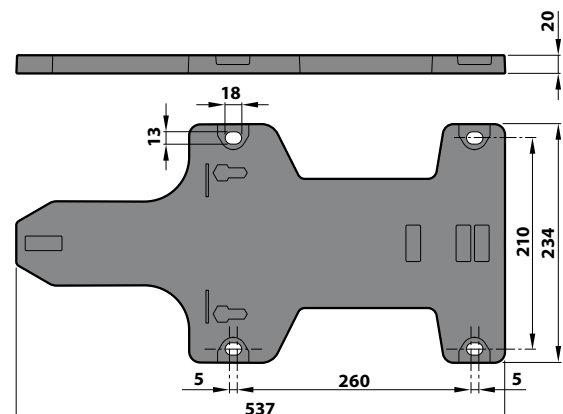
TYPE		PORTS		DIMENSIONS mm									kg	
Single-phase	Three-phase	DN1	DN2	a	f	h1	h2	h3	n1	w	s	t	1~	3~
<b>MAGNIFICA 1m</b>	<b>MAGNIFICA 1</b>	2"	2"	294	583	240	113	353	155	4.3	10.5	235	14.1	14.1
<b>MAGNIFICA 2m</b>	<b>MAGNIFICA 2</b>												15.0	15.0
<b>MAGNIFICA 3m</b>	<b>MAGNIFICA 3</b>			294	657	240	113	353	155	15.8	10.5	235	19.4	19.4
<b>MAGNIFICA 4m</b>	<b>MAGNIFICA 4</b>												20.6	20.6
<b>MAGNIFICA 5m</b>	<b>MAGNIFICA 5</b>												23.3	23.3

## BASEMENT (mm)

### Stand for MAGNIFICA 1-2



### Stand for MAGNIFICA 3-4-5



## MATERIALS AND COMPONENTS

<b>1 Pump body</b>	Glass-fibre reinforced polypropylene with ISO 228/1 threaded ports			
<b>2 Seal insert</b>	Glass-fibre reinforced polypropylene			
<b>3 Diffuser</b>	Noryl™			
<b>4 Impeller</b>	Noryl™			
<b>5 Mechanical seal</b>	Water pump	Seal	Shaft	Materials
	MAGNIFICA 1-2	<b>AR-17</b>	Ø 17	Ceramic / Graphite / NBR
	MAGNIFICA 3-4-5	<b>AR-20R</b>	Ø 20	Ceramic / Graphite / NBR
<b>6 Motor shaft</b>	Stainless steel <b>AISI 431</b>			
<b>7 Electric motor</b>	<b>MAGNIFICA m:</b> single-phase 230 V - 50 Hz with winding integrated thermal motor protection <b>MAGNIFICA:</b> three-phase 230/400 V - 50 Hz ※ Pumps are equipped with high-efficiency motors (IEC 60034-30-1) class <b>IE2</b> for single-phase models class <b>IE3</b> for three-phase models Continuous running duty <b>S1</b>			
<b>8 O-Ring (OR)</b>	NBR			
<b>9 Cover</b>	Polycarbonate			
<b>10 Pre-filter</b>	Polypropylene			
<b>11 Closing knob</b>	Nylon			
<b>12 Fittings</b>	PVC-U			
<b>13 Base</b>	Polypropylene			

