

GHV30/22SVX04Z1R055/4

Technical data

Company name
Contact
Phone number
e-mail address

Operating data

1	Pumpe type	Single-/Multi-pump set	Fluid	Water, pure
2	No. of pumps	3	Operating temperature t A	°C 4
3	Nominal flow	m ³ /h 0	pH-value at t A	7
4	Nominal head	m 0	Density at t A	kg/m ³ 1000
5	Static head	m 0	Vapor pressure at t A	kPa 100
6	Inlet pressure	kPa 0	Kin. viscosity at t A	mm ² /s 1.569
7	Environmental temperature	°C 20	Altitude	0
8	Available system NPSH	m 0		

Pump data

9	Product version	[X] - Hydrovar X+
10	Operating speed	3600 rpm
11	Stages	4
12	Max. working pressure	kPa 895.3
13	Head H(Q=0)	m 91
14	Max. shaft power	kW 18.6
15	Shaft power	kW
16	Power input	kW
17	Efficiency	%
18	Overall efficiency	%
19	NPSH 3%	m
20	Total weight	kg 430.0
21		

Materials

Pump		Options	
23	Manifolds	Stainless steel, 1.4301, AISI 304	GHV Non-return valve
24	On-off valves ball type	Nickel-plated brass	Non return valve in delivery side
25	Non-return valves	Brass	Additional Card
26	Pressure switches	Galvanized steel/AISI 301	Analog Device
27	Pressure trasmitters	AISI 304L & AISI 316L	Condensation Resistance
28	Caps/plugs	AISI 304 or superior	Control Devices Oversized
29	Sliding/Blind flanges	Galvanized steel	Control Panel
30	Welded flanges	Stainless steel, 1.4301, AISI 304	Control Panel cloud connection
31	Fittings	Stainless steel, 1.4401, AISI 316	Control Panel Position
32	Bracket	Galvanized steel/painted steel	Control Panel Protection Degree
33	Base	Painted steel	DACH - Control Panel mounted on
34			DACH - Optical sensor for lack/presence of water
35			Control Panel Options
36			Delivery Side
37			Double Pressure Transmitter
38			Electric Pump Special Seals
39			Emergency
40			High Pressure Protection
41			N.A.
			N.A.
			Phase Missing

Motor data

42	Manufacturer	Lowara e-XM		N.A.
43	Specific design	IE5 Three phase motor		Protection Against Dry Running
44	Type	EXM132B5/4.055CH2		Without protection against dry running
45	Rated power	5.5 kW	Rated current	11.4 A
46	Nominal speed	3600 rpm	Rated voltage	380 V
47	Frame size	132	Motor efficiency	% 90.6
48	Weight	kg 37.2	Power factor	0.8
				Pump Test
				Suction Side
				Timer

Remarks

49	
50	
50	
52	

GHV30/22SVX04Z1R055/4

Performance curve

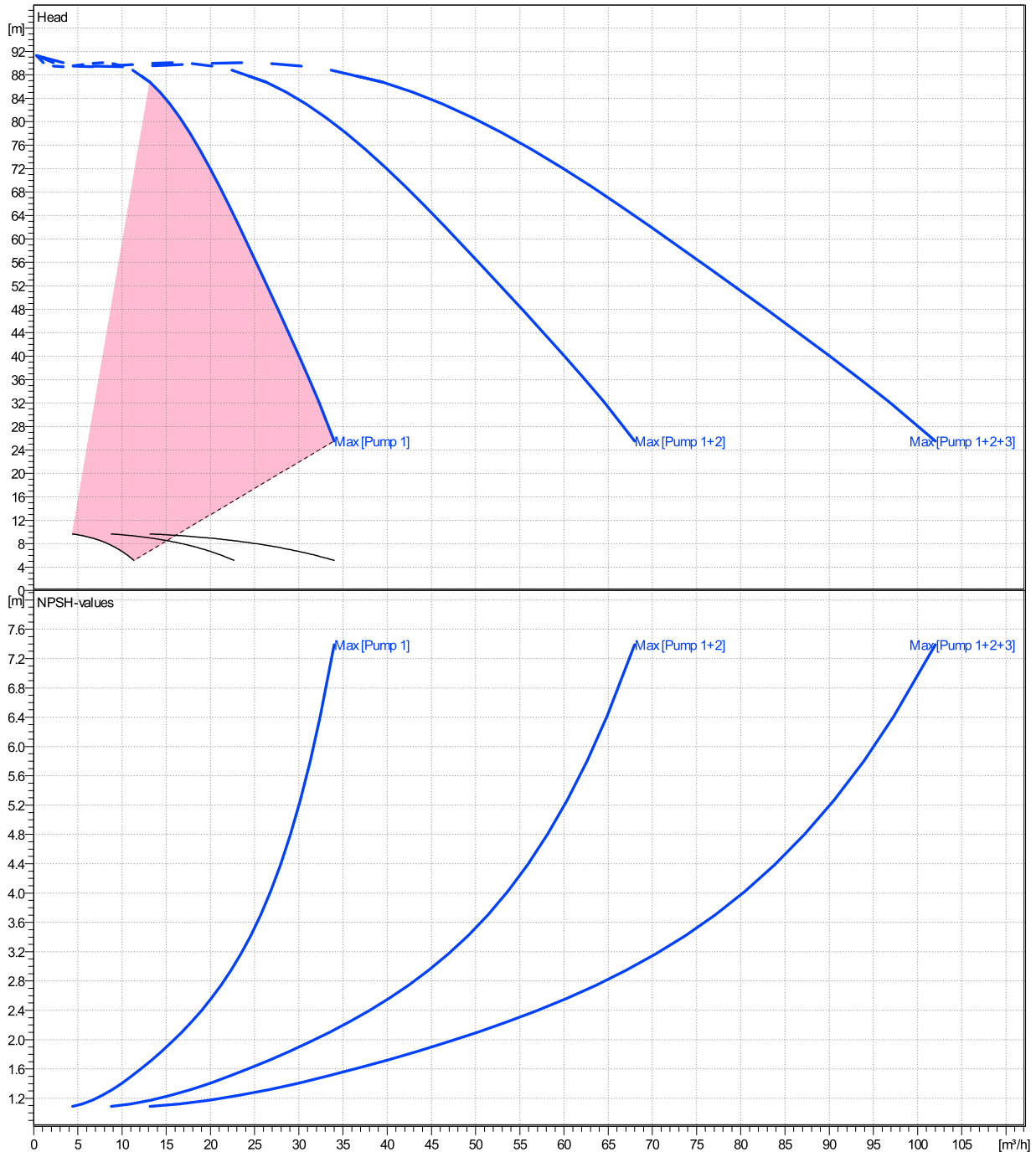
Company name
Contact
Phone number
e-mail address

Ø	Pump capacity			Pump head		Frequency	Hz	50/60
	Operating range	η	η	H(Q=0)	η			
	Min. m³/h	Max. m³/h	Max. m³/h	m	m	Operating speed	rpm	
Max.	13.2	34	22.1	91.3	65.8	Nominal flow	m³/h	0
						Nominal head	m	0
						Inlet pressure	kPa	0
						Static head	m	0

Power datas referred to:

Water, pure [100%] ; 4°C; 1000kg/m³; 1.57mm²/s

hydr. Performance acceptance acc. To EN ISO 9906 Class

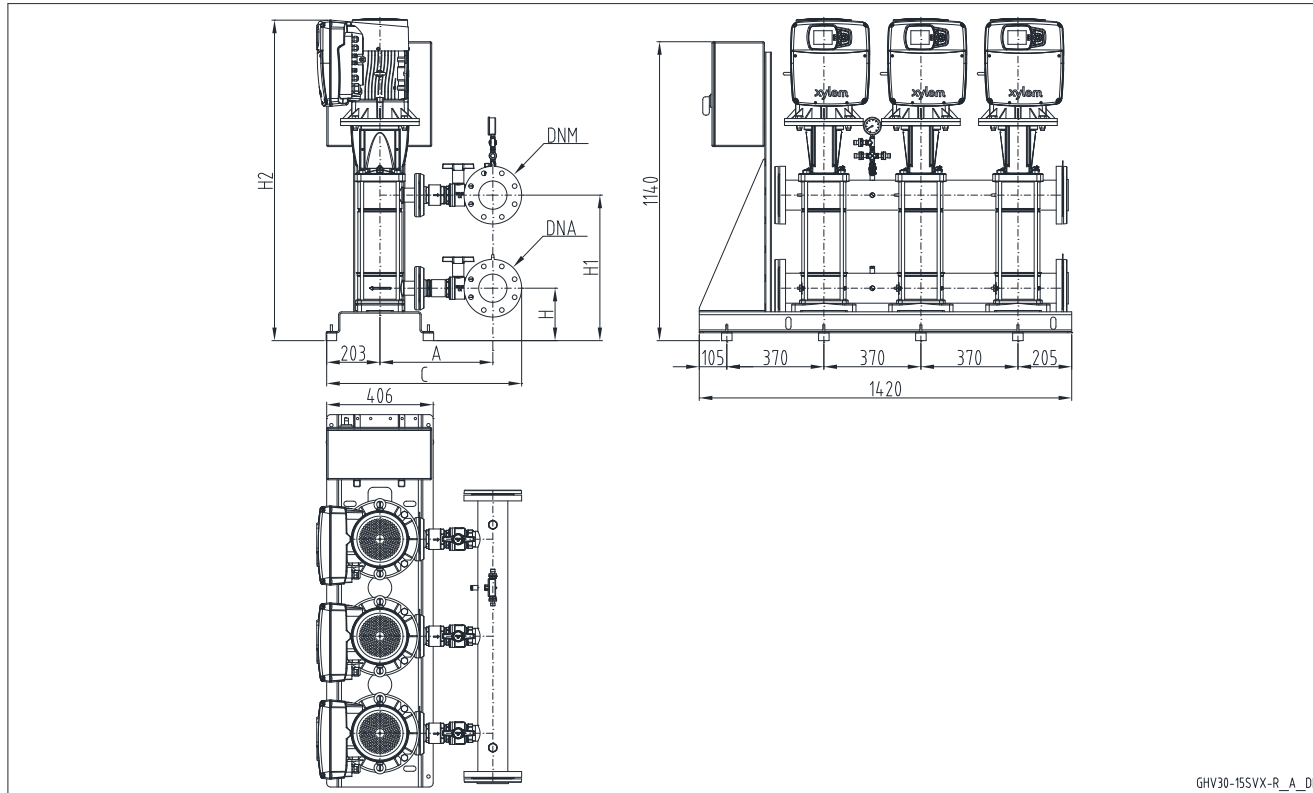


GHV30/22SVX04Z1R055/4

Dimensions

Company name
Contact
Phone number
e-mail address

[X] - Hydrovar X+
EXM132B5/4.055CH2



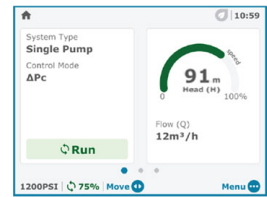
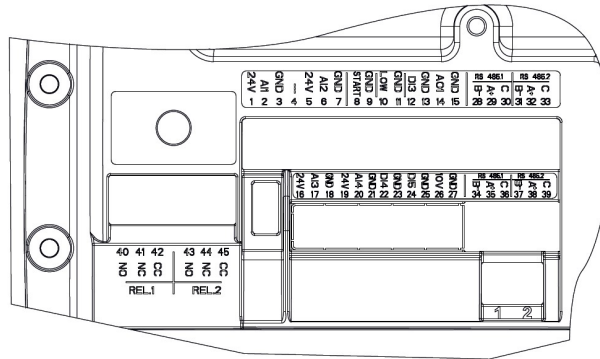
Dimensions [mm]	
A	430
C	743
DNA	DN100
DNM	DN100
H	200
H1	459
H2	1131
Weight	
Total weight	430 kg

Dimensions and weight without obligation

Project	Xylect-22334215	Created by		Last update	5/22/2024
Block	GHV30/22SVX04Z1R055/4	Created on	5/22/2024		

Technical data

Company name
Contact
Phone number
e-mail address



REF.	ITEM	DESCRIPTION	DEFAULT
1		Power supply +24 VDC, max. 60mA (total, terminals 1 + 5)	
2	Analog Input 1	Configurable Analog Input 1	Pressure Sensor 1
3		Electronic GND	
4	Not used	Internal use - Do not connect	
5		Power supply +24 VDC, max. 60mA (total, terminals 1 + 5)	
6	Analog Input 2	Configurable Analog Input 2	Not used
7		Electronic GND	
8	External Start/Stop	Start/Stop digital input, +24 VDC internal pull-up, 6mA contact current	-
9		Electronic GND	
10	External Lack of Water	Low water digital input, +24 VDC internal pull-up, 6mA contact current	-
11		Electronic GND	
12	Digital Input 3	Configurable Digital Input 3, +24 VDC internal pull-up, 6mA contact current	Solo Run
13		Electronic GND	
14	Analog Output	Configurable Analog Output	Motor Speed
15		Electronic GND	
16		Power supply +24 VDC, max. 60mA (total, terminals 16 and 19)	
17	Analog Input 3	Configurable Analog Input 3	Not used
18		Electronic GND	
19		Power supply +24 VDC, max. 60mA (total, terminals 16 and 19)	
20	Analog Input 4	Configurable Analog Input 4	Not used
21		Electronic GND	
22	Digital Input 4	Configurable Digital Input 4, +24 VDC internal pull-up, 6mA contact current	Not used
23		Electronic GND	
24	Digital Input 5	Configurable Digital Input 5, +24 VDC internal pull-up, 6mA contact current	Not used
25		Electronic GND	
26	10 VDC supply	Power supply +10 VDC, max. 3mA	-
27		Electronic GND	
28		RS485 port 1 : RS485-1B N (-)	
29	Communication bus 1	RS485 port 1 : RS485-1A P (+)	Multipump
30		RS485 port 1 : RS485-COM	
31		RS485 port 2 : RS485-2B N (-)	
32	Communication bus 2	RS485 port 2 : RS485-2A P (+)	Modbus
33		RS485 port 2 : RS485-COM	
34		RS485 port 1 : RS485-1B N (-)	
35	Communication bus 1	RS485 port 1 : RS485-1A P (+)	Multipump
36		RS485 port 1 : RS485-COM	
37		RS485 port 2 : RS485-2B N (-)	
38	Communication bus 2	RS485 port 2 : RS485-2A P (+)	Modbus
39		RS485 port 2 : RS485-COM	
40		Configurable relay 1: Normally Open	
41	Relay 1	Configurable relay 1: Normally Closed	Running
42		Configurable relay 1: Common Contact	
43		Configurable relay 2: Normally Open	
44	Relay 2	Configurable relay 2: Normally Closed	Error
45		Configurable relay 2: Common Contact	