

GHV30/22SVX02Z3R030/4

Technical data

Company name
Contact
Phone number
e-mail address

Operating data					
1	Pumpe type	Single-/Multi-pump set		Fluid	Water, pure
2	No. of pumps	3		Operating temperature t A	°C 4
3	Nominal flow	m ³ /h	0	pH-value at t A	7
4	Nominal head	m	0	Density at t A	kg/m ³ 1000
5	Static head	m	0	Vapor pressure at t A	kPa 100
6	Inlet pressure	kPa	0	Kin. viscosity at t A	mm ² /s 1.569
7	Environmental temperature	°C	20	Altitude	0
8	Available system NPSH	m	0		

Pump data					
9	Product version	[X] - Hydrovar X+			
10	Operating speed	3600 rpm			
11	Stages	2			
12	Max. working pressure	kPa	445.4		
13	Head H(Q=0)	m	45		
14	Max. shaft power	kW	10.4		
15	Shaft power	kW			
16	Power input	kW			
17	Efficiency	%			
18	Overall efficiency	%			
19	NPSH 3%	m			
20	Total weight	kg	430.0		
21					

Materials					
Pump			Options		
23	Manifolds	Stainless steel, 1.4301, AISI 304		GHV Non-return valve	Non return valve in delivery side
24	On-off valves ball type	Nickel-plated brass		Additional Card	No card
25	Non-return valves	Brass		Analog Device	Standard
26	Pressure switches	Galvanized steel/AISI 301		Condensation Resistance	Standard
27	Pressure trasmitters	AISI 304L & AISI 316L		Control Devices Oversized	Standard
28	Caps/plugs	AISI 304 or superior		Control Panel	Standard
29	Sliding/Blind flanges	Galvanized steel		Control Panel cloud connection	Standard without
30	Welded flanges	Stainless steel, 1.4301, AISI 304		Control Panel Position	Standard position
31	Fittings	Stainless steel, 1.4401, AISI 316		Control Panel Protection Degree	Standard
32	Bracket	Galvanized steel/painted steel		DACH - Control Panel mounted on	Standard
33	Base	Painted steel		DACH - Optical sensor for lack/presence of water	None
34				Control Panel Options	Standard
35				Delivery Side	Standard delivery
36				Double Pressure Transmitter	Standard
37				Electric Pump Special Seals	Standard
38				Emergency	Standard
39				High Pressure Protection	Without high pressure protection on delivery
40				N.A.	
41				N.A.	
				Phase Missing	Standard

Motor data					
42	Manufacturer	Lowara e-XM		N.A.	
43	Specific design	IE5 Three phase motor		Protection Against Dry Running	Without protection against dry running
44	Type	EXM100B5/4.030BH2		Pump Test	Set without certified pumps
45	Rated power	3 kW	Rated current	6.7 A	Suction Side
46	Nominal speed	3600 rpm	Rated voltage	380 V	Timer
47	Frame size	100	Motor efficiency	% 87.8	
48	Weight	kg 24.7	Power factor	0.86	

Remarks					
49					
50					
50					
52					

GHV30/22SVX02Z3R030/4

Performance curve

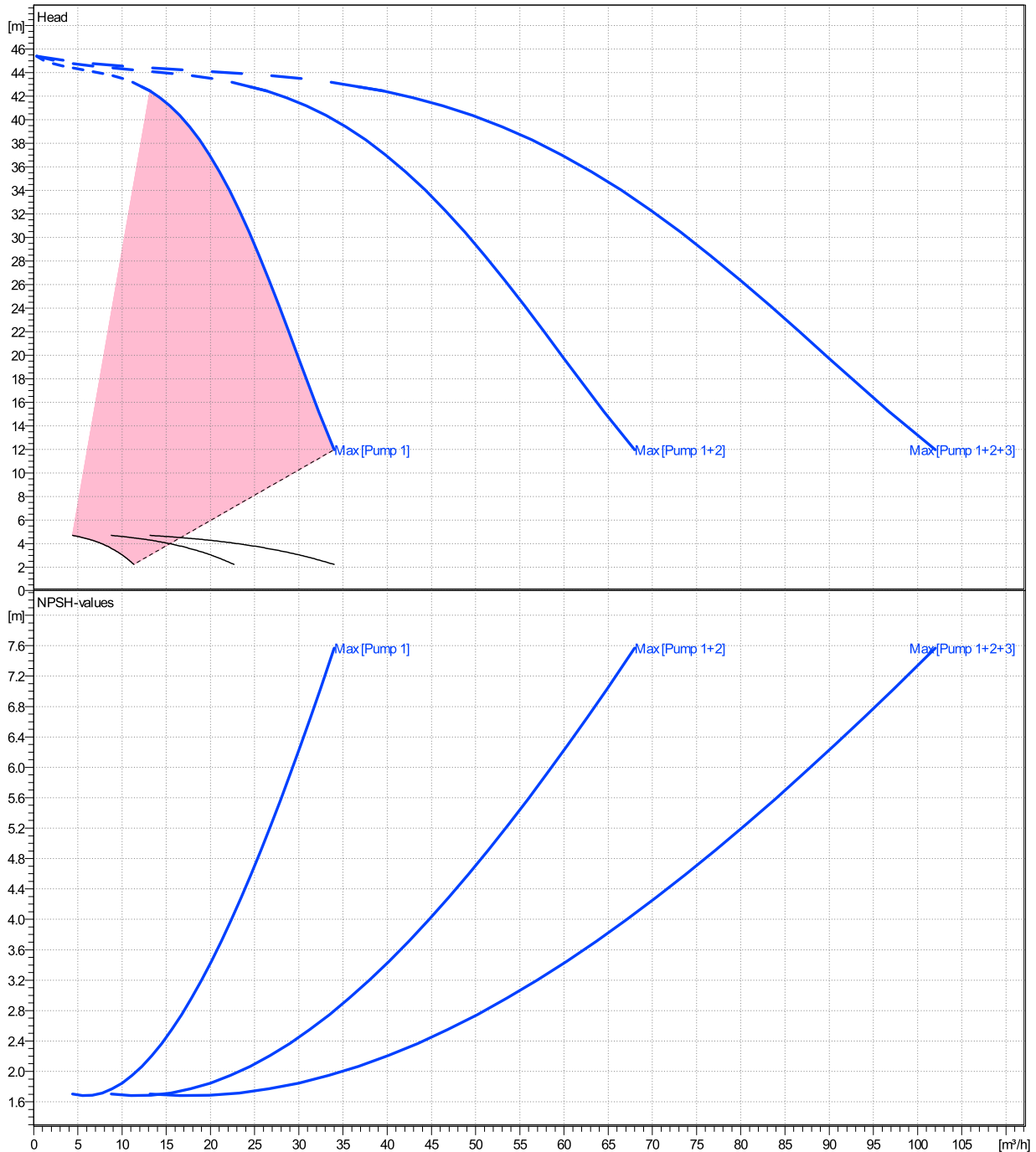
Company name
Contact
Phone number
e-mail address

Ø	Pump capacity			Pump head		Frequency	Hz	50/60
	Operating range	η	η	H(Q=0)	η			
	Min. m³/h	Max. m³/h	Max. m³/h	m	m	Operating speed	rpm	
Max.	13.2	34	21.4	45.4	35.1	Nominal flow	m³/h	0
						Nominal head	m	0
						Inlet pressure	kPa	0
						Static head	m	0

Power datas referred to:

Water, pure [100%] ; 4°C; 1000kg/m³; 1.57mm²/s

hydr. Performance acceptance acc. To EN ISO 9906 Class

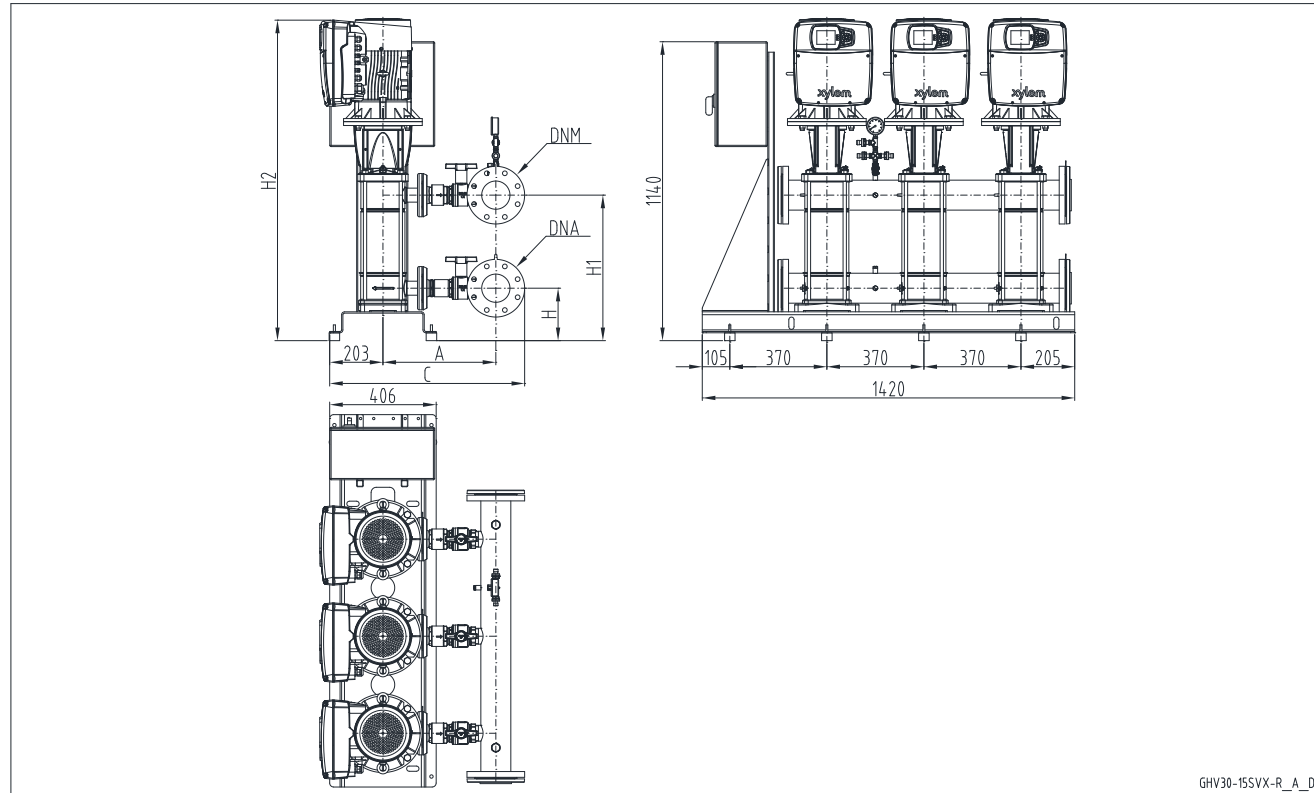


GHV30/22SVX02Z3R030/4

Dimensions

Company name
Contact
Phone number
e-mail address

[X] - Hydrovar X+
EXM100B5/4.030BH2



Dimensions [mm]	
A	430
C	743
DNA	DN100
DNM	DN100
H	200
H1	459
H2	1131
Weight	
Total weight	430 kg

Dimensions and weight without obligation

Project	Xylect-22334066	Created by		Last update	5/22/2024
Block	GHV30/22SVX02Z3R030/4	Created on	5/22/2024		

Technical data

Company name
Contact
Phone number
e-mail address



REF.	ITEM	DESCRIPTION	DEFAULT
1		Power supply +24 VDC, max. 60mA (total, terminals 1 + 5)	
2	Analog Input 1	Configurable Analog Input 1	Pressure Sensor 1
3		Electronic GND	
4	Not used	Internal use - Do not connect	
5		Power supply +24 VDC, max. 60mA (total, terminals 1 + 5)	
6	Analog Input 2	Configurable Analog Input 2	Not used
7		Electronic GND	
8	External Start/Stop	Start/Stop digital input, +24 VDC internal pull-up, 6mA contact current	-
9		Electronic GND	
10	External Lack of Water	Low water digital input, +24 VDC internal pull-up, 6mA contact current	-
11		Electronic GND	
12	Digital Input 3	Configurable Digital Input 3, +24 VDC internal pull-up, 6mA contact current	Solo Run
13		Electronic GND	
14	Analog Output	Configurable Analog Output	Motor Speed
15		Electronic GND	
16		Power supply +24 VDC, max. 60mA (total, terminals 16 and 19)	
17	Analog Input 3	Configurable Analog Input 3	Not used
18		Electronic GND	
19		Power supply +24 VDC, max. 60mA (total, terminals 16 and 19)	
20	Analog Input 4	Configurable Analog Input 4	Not used
21		Electronic GND	
22	Digital Input 4	Configurable Digital Input 4, +24 VDC internal pull-up, 6mA contact current	Not used
23		Electronic GND	
24	Digital Input 5	Configurable Digital Input 5, +24 VDC internal pull-up, 6mA contact current	Not used
25		Electronic GND	
26	10 VDC supply	Power supply +10 VDC, max. 3mA	-
27		Electronic GND	
28		RS485 port 1 : RS485-1B N (-)	
29	Communication bus 1	RS485 port 1 : RS485-1A P (+)	Multipump
30		RS485 port 1 : RS485-COM	
31		RS485 port 2 : RS485-2B N (-)	
32	Communication bus 2	RS485 port 2 : RS485-2A P (+)	Modbus
33		RS485 port 2 : RS485-COM	
34		RS485 port 1 : RS485-1B N (-)	
35	Communication bus 1	RS485 port 1 : RS485-1A P (+)	Multipump
36		RS485 port 1 : RS485-COM	
37		RS485 port 2 : RS485-2B N (-)	
38	Communication bus 2	RS485 port 2 : RS485-2A P (+)	Modbus
39		RS485 port 2 : RS485-COM	
40		Configurable relay 1: Normally Open	
41	Relay 1	Configurable relay 1: Normally Closed	Running
42		Configurable relay 1: Common Contact	
43		Configurable relay 2: Normally Open	
44	Relay 2	Configurable relay 2: Normally Closed	Error
45		Configurable relay 2: Common Contact	