

2CP

Centrifugal twin-impeller pumps

-  Clean water
-  Domestic use
-  Civil use
-  Industrial use



PERFORMANCE RANGE

- Flow rate up to **450 l/min** (27 m³/h)
- Head up to **112 m**

APPLICATION LIMITS

- Manometric suction lift up to **7 m**
- Liquid temperature between **-10 °C** and **+90 °C**
- Ambient temperature between **-10 °C** and **+40 °C**
- Max. working pressure **10 bar**
(**6 bar** for 2CP25/130N)
- Continuous service **S1**

CONSTRUCTION AND SAFETY STANDARDS

EN 60335-1
IEC 60335-1
CEI 61-150

EN 60034-1
IEC 60034-1
CEI 2-3



CERTIFICATIONS

Company with management system certified DNV
ISO 9001: QUALITY
ISO 14001: ENVIRONMENT AND SAFETY



INSTALLATION AND USE

Suitable for use with clean water and with liquids that are not chemically aggressive towards the materials from which the pump is made. The high performance and adaptability to a wide range of applications make them the ideal choice in domestic, civil and industrial applications, in particular for the distribution of water in combination with pressure tanks for boosting pressure in the network and for firefighting sets.

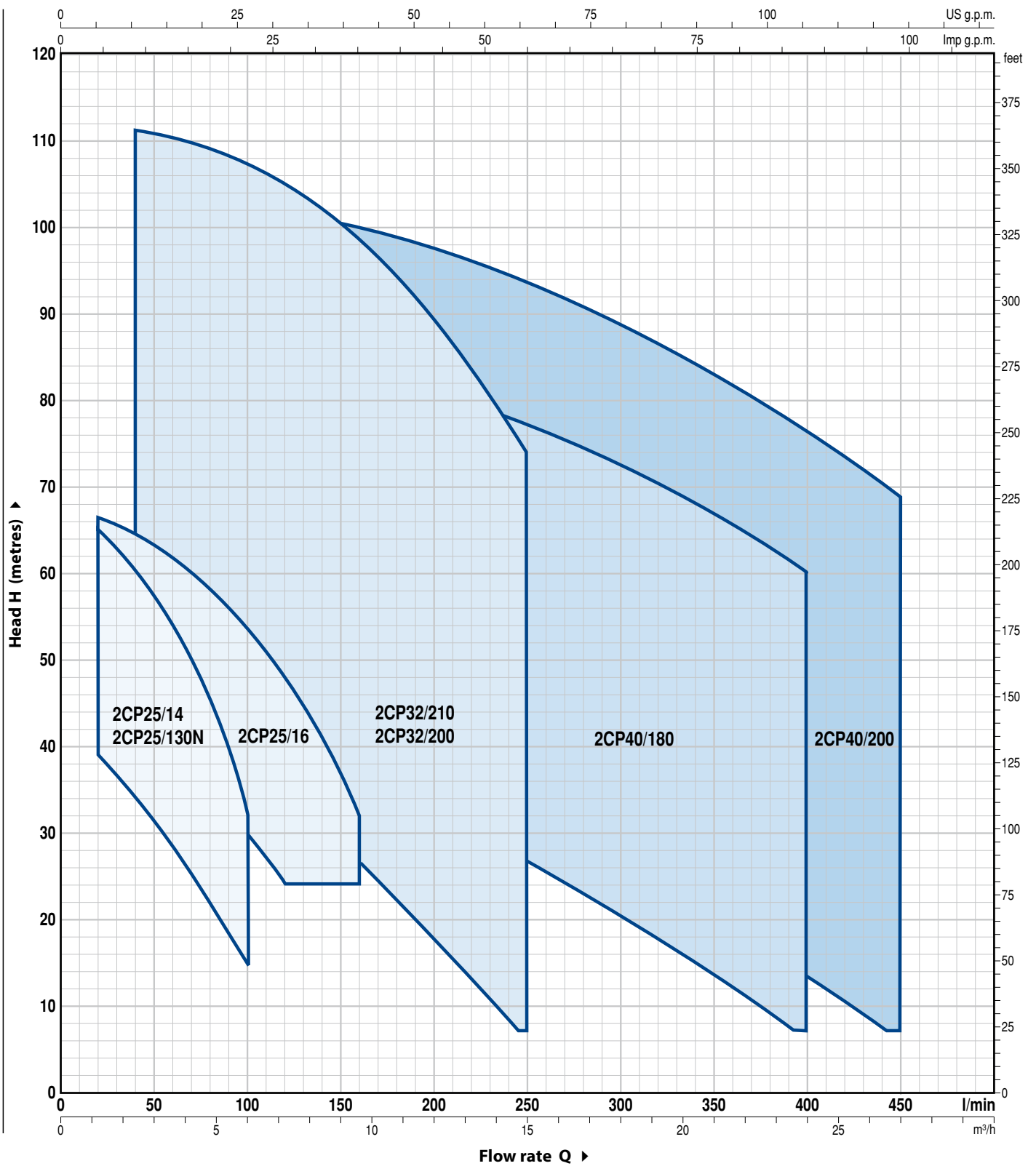
The pump should be installed in an enclosed environment or sheltered from inclement weather.

OPTIONS AVAILABLE ON REQUEST

- Special mechanical seal
- Other voltages or 60 Hz frequency
- IPX5 class protection for:
 - 2CP32/200 – 2CP40/180
 - 2CP32/210 – 2CP40/200

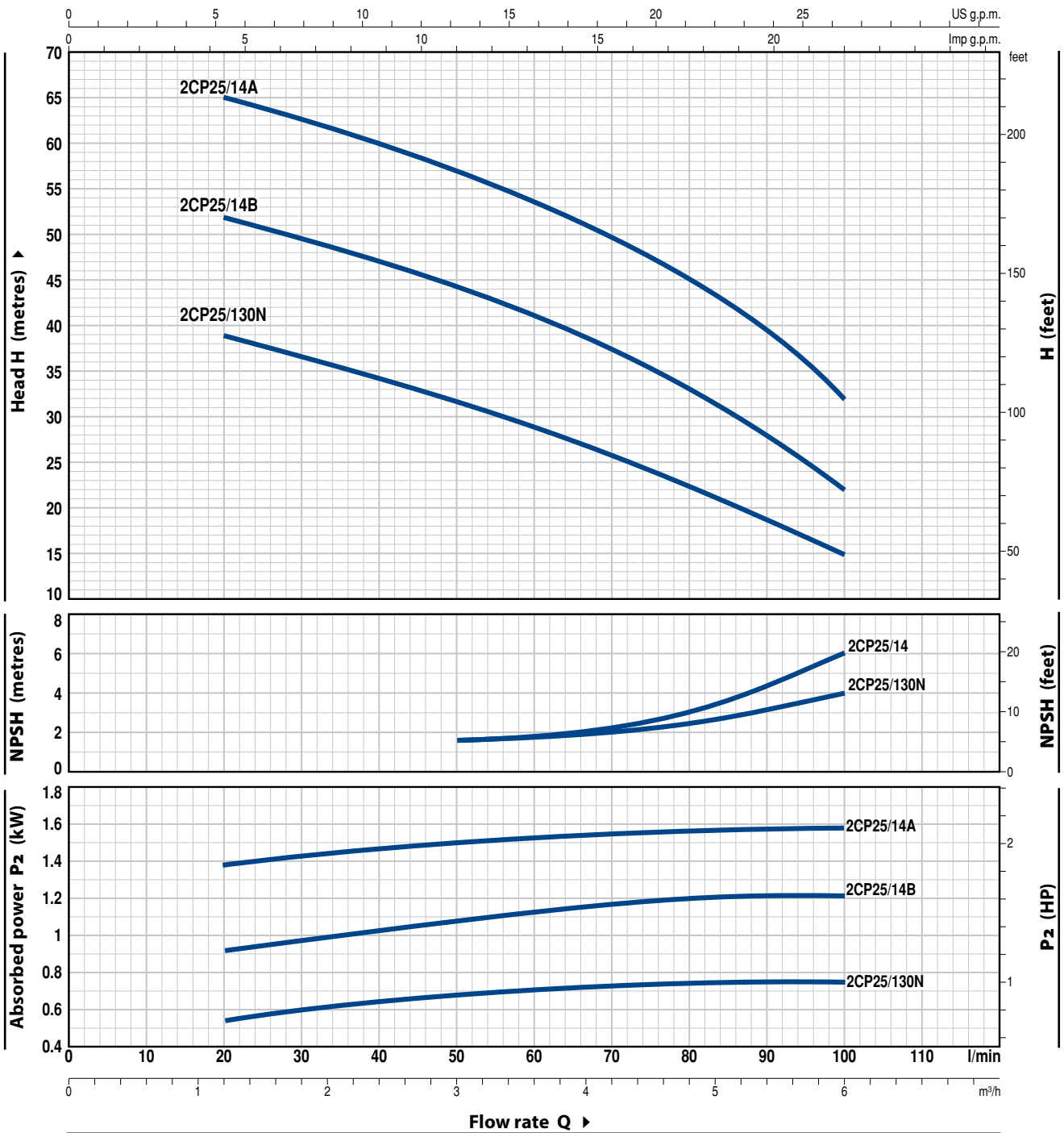
PERFORMANCE RANGE

50 Hz n= 2900 rpm HS= 0 m



CHARACTERISTIC CURVES AND PERFORMANCE DATA

50 Hz n= 2900 rpm HS= 0 m



| MODEL | | POWER (P ₂) | | | Q | | | | | | | | | | |
|--------------|-------------|-------------------------|-----|-----|----------|-------------------|----|-----|------|------|------|------|-----|-----|-----|
| Single-phase | Three-phase | kW | HP | ▲ | | m ³ /h | 0 | 1.2 | 1.8 | 2.4 | 3.0 | 3.6 | 4.2 | 4.8 | 5.4 |
| | | | | | l/min | 0 | 20 | 30 | 40 | 50 | 60 | 70 | 80 | 90 | 100 |
| 2CPm 25/130N | 2CP 25/130N | 0.75 | 1 | IE2 | H metres | 42 | 39 | 37 | 34 | 31 | 28.5 | 25.5 | 22 | 18 | 15 |
| 2CPm 25/14B | 2CP 25/14B | 1.1 | 1.5 | | | 54 | 52 | 50 | 47.5 | 44.5 | 41 | 37 | 33 | 28 | 22 |
| 2CPm 25/14A | 2CP 25/14A | 1.5 | 2 | IE3 | | 67 | 65 | 62 | 60 | 57 | 54 | 50 | 45 | 40 | 32 |

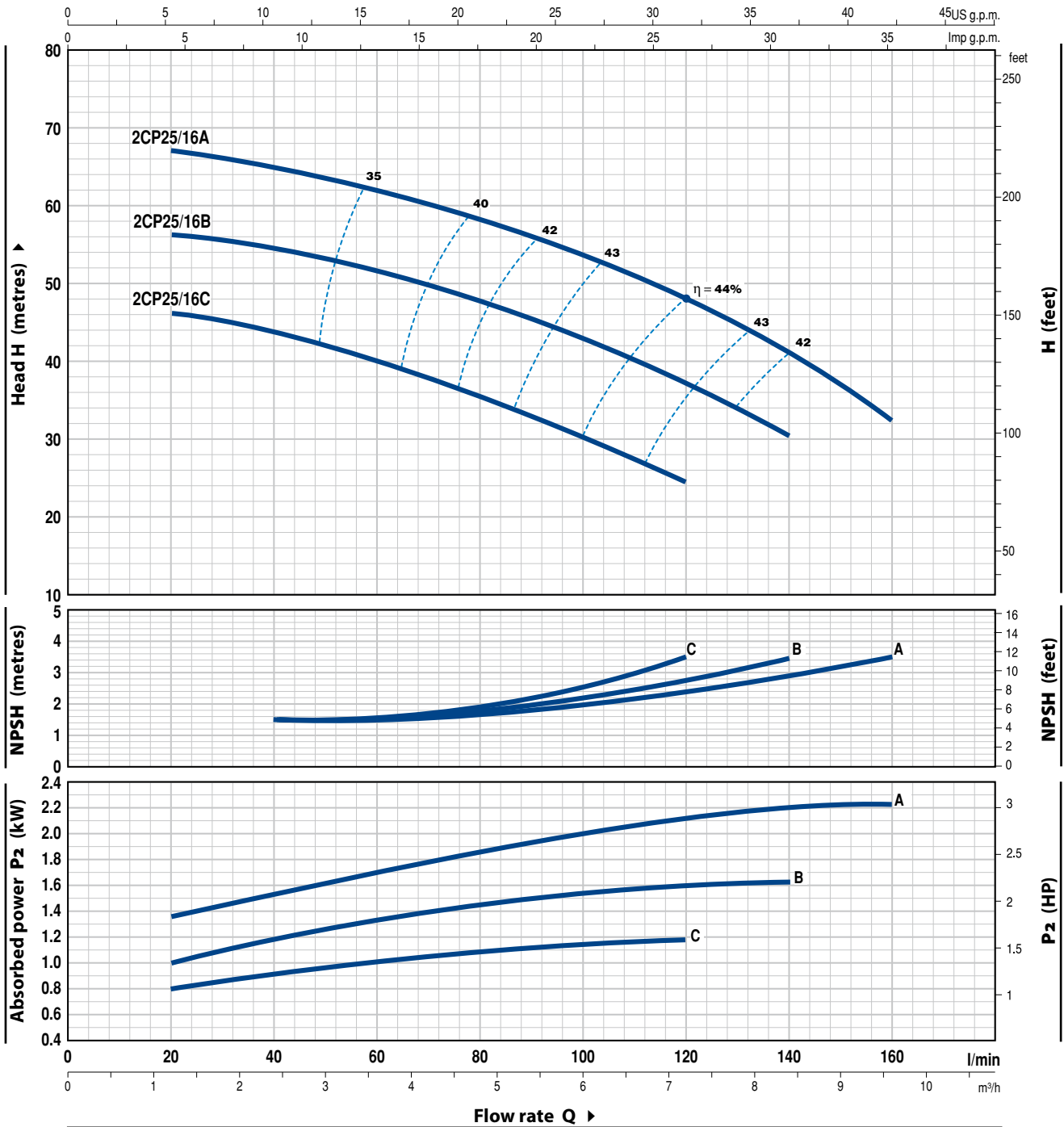
Q = Flow rate H = Total manometric head HS = Suction height

Tolerance of characteristic curves in compliance with EN ISO 9906 Grade 3B.

▲ Performance class of the three-phase motor (IEC-60034-30)

CHARACTERISTIC CURVES AND PERFORMANCE DATA

50 Hz n= 2900 rpm HS= 0 m



| MODEL | | POWER (P ₂) | | | Q | Flow rate | | | | | | | | | | | | | | | |
|--------------|-------------|-------------------------|-----|-----|----------|-----------|-----|------|------|-----|-----|-----|-----|-----|-----|-----|-----|-----|-----|--|--|
| Single-phase | Three-phase | kW | HP | ▲ | | 0 | 1.2 | 1.8 | 2.4 | 3.0 | 3.6 | 4.2 | 4.8 | 5.4 | 6.0 | 6.6 | 7.2 | 8.4 | 9.6 | | |
| | | | | | l/min | 0 | 20 | 30 | 40 | 50 | 60 | 70 | 80 | 90 | 100 | 110 | 120 | 140 | 160 | | |
| 2CPm 25/16C | 2CP 25/16C | 1.1 | 1.5 | IE2 | H metres | 47 | 46 | 45 | 44 | 42 | 40 | 38 | 35 | 33 | 30 | 27 | 24 | | | | |
| 2CPm 25/16B | 2CP 25/16B | 1.5 | 2 | IE3 | | 58 | 56 | 55 | 54 | 53 | 51 | 49 | 47 | 45 | 43 | 40 | 37 | 30 | | | |
| - | 2CP 25/16A | 2.2 | 3 | | | 68 | 67 | 65.5 | 64.5 | 63 | 62 | 60 | 58 | 56 | 54 | 51 | 48 | 41 | 32 | | |

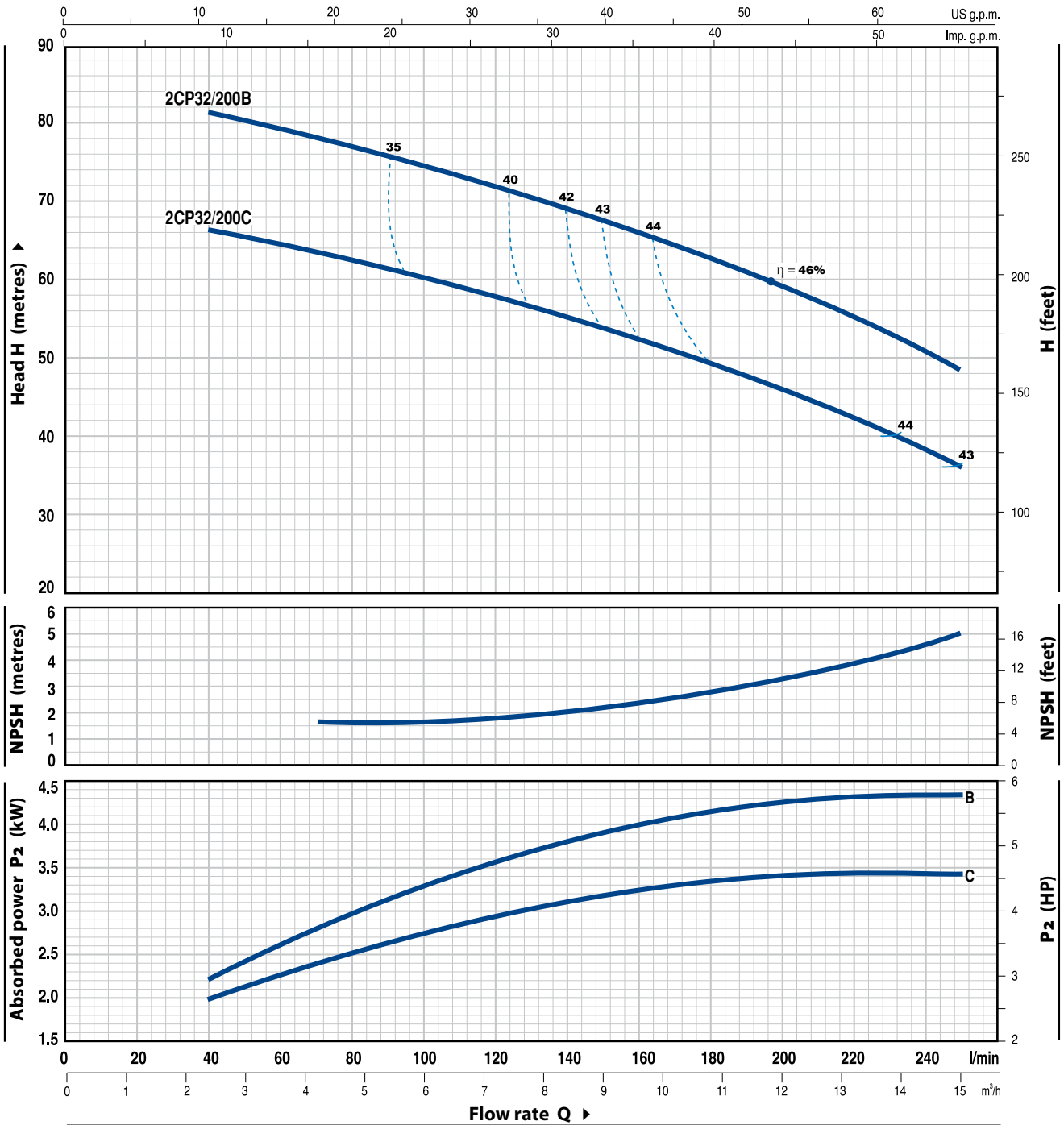
Q = Flow rate H = Total manometric head HS = Suction height

Tolerance of characteristic curves in compliance with EN ISO 9906 Grade 3B.

▲ Performance class of the three-phase motor (IEC-60034-30)

CHARACTERISTIC CURVES AND PERFORMANCE DATA

50 Hz n= 2900 rpm HS= 0 m



| MODEL | POWER (P ₂) | | ▲ | Q | Flow rate Q | | | | | | | | | | | | | | |
|-------------|-------------------------|-----|-----|----------|-------------------|------|------|-----|-----|-----|-----|------|-----|-----|-----|-----|------|------|------|
| | kW | HP | | | m ³ /h | 0 | 2.4 | 3.0 | 3.6 | 4.2 | 4.8 | 5.4 | 6.0 | 6.6 | 7.5 | 8.4 | 9.6 | 10.8 | 12.0 |
| Three-phase | | | | l/min | 0 | 40 | 50 | 60 | 70 | 80 | 90 | 100 | 110 | 125 | 140 | 160 | 180 | 200 | 250 |
| 2CP 32/200C | 3 | 4 | IE3 | H metres | 70 | 66.5 | 65.5 | 65 | 64 | 63 | 62 | 60.5 | 59 | 57 | 55 | 52 | 49.5 | 46.5 | 36 |
| 2CP 32/200B | 4 | 5.5 | | 85 | 81 | 80 | 79 | 78 | 77 | 76 | 75 | 74 | 72 | 69 | 66 | 62 | 58 | 49 | |

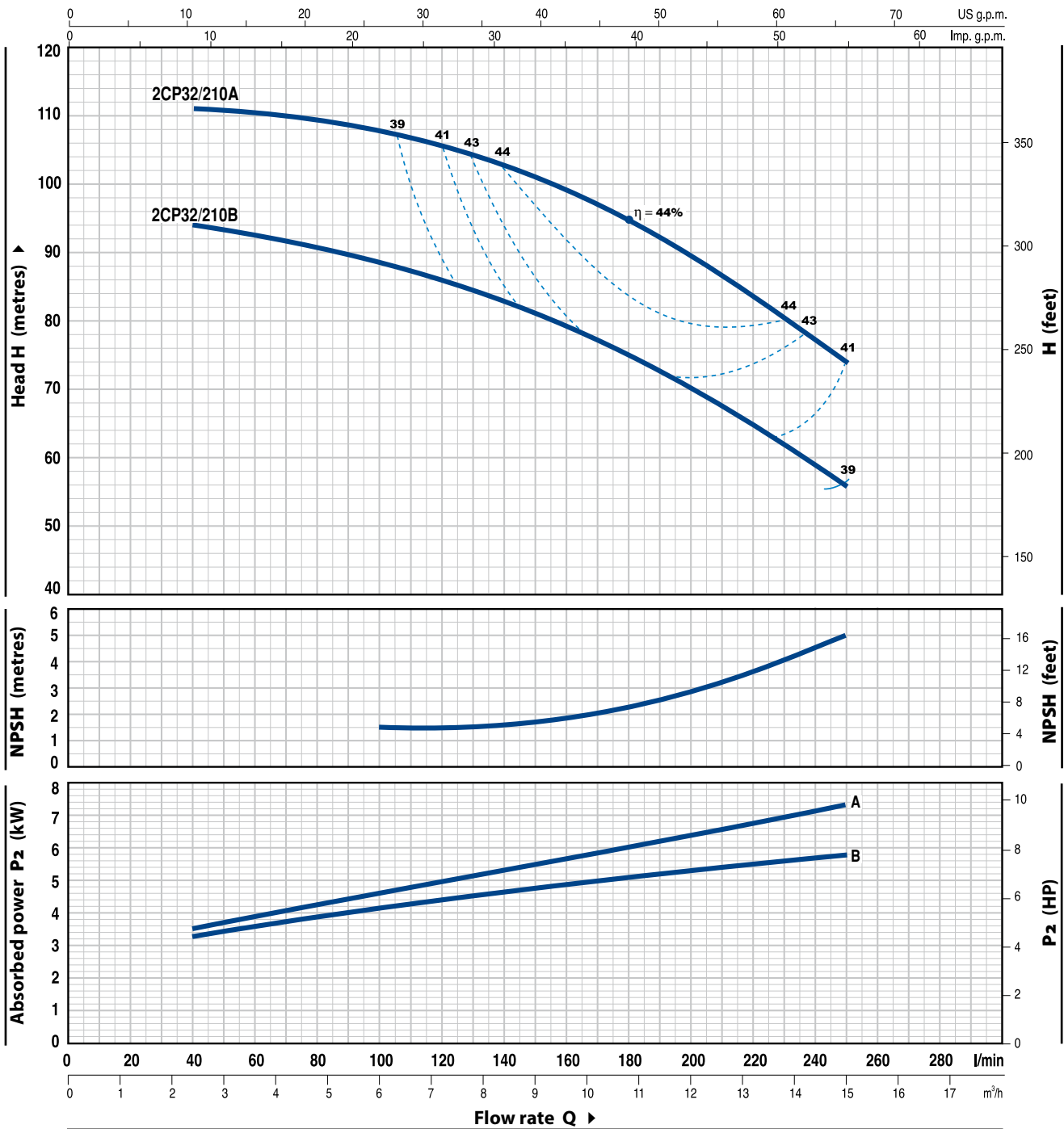
Q = Flow rate H = Total manometric head HS = Suction height

Tolerance of characteristic curves in compliance with EN ISO 9906 Grade 3B.

▲ Performance class of the three-phase motor (IEC-60034-30)

CHARACTERISTIC CURVES AND PERFORMANCE DATA

50 Hz n= 2900 rpm HS= 0 m



| MODEL | POWER (P ₂) | | ▲ | Q | Flow rate Q | | | | | | | | | | | | | | |
|-------------|-------------------------|-----|-----|----------|-------------------|-----|------|-------|-------|-------|-----|-----|-----|-----|-----|-----|-----|------|------|
| | kW | HP | | | m ³ /h | 0 | 2.4 | 3.0 | 3.6 | 4.2 | 4.8 | 5.4 | 6.0 | 6.6 | 7.5 | 8.4 | 9.6 | 10.8 | 12.0 |
| Three-phase | | | | l/min | 0 | 40 | 50 | 60 | 70 | 80 | 90 | 100 | 110 | 125 | 140 | 160 | 180 | 200 | 250 |
| 2CP 32/210B | 5.5 | 7.5 | IE3 | H metres | 94 | 94 | 93.5 | 93 | 92 | 91 | 90 | 89 | 87 | 85 | 83 | 79 | 75 | 70 | 56 |
| 2CP 32/210A | 7.5 | 10 | | | | 112 | 111 | 110.8 | 110.5 | 110.3 | 110 | 109 | 108 | 107 | 105 | 102 | 99 | 94 | 89 |

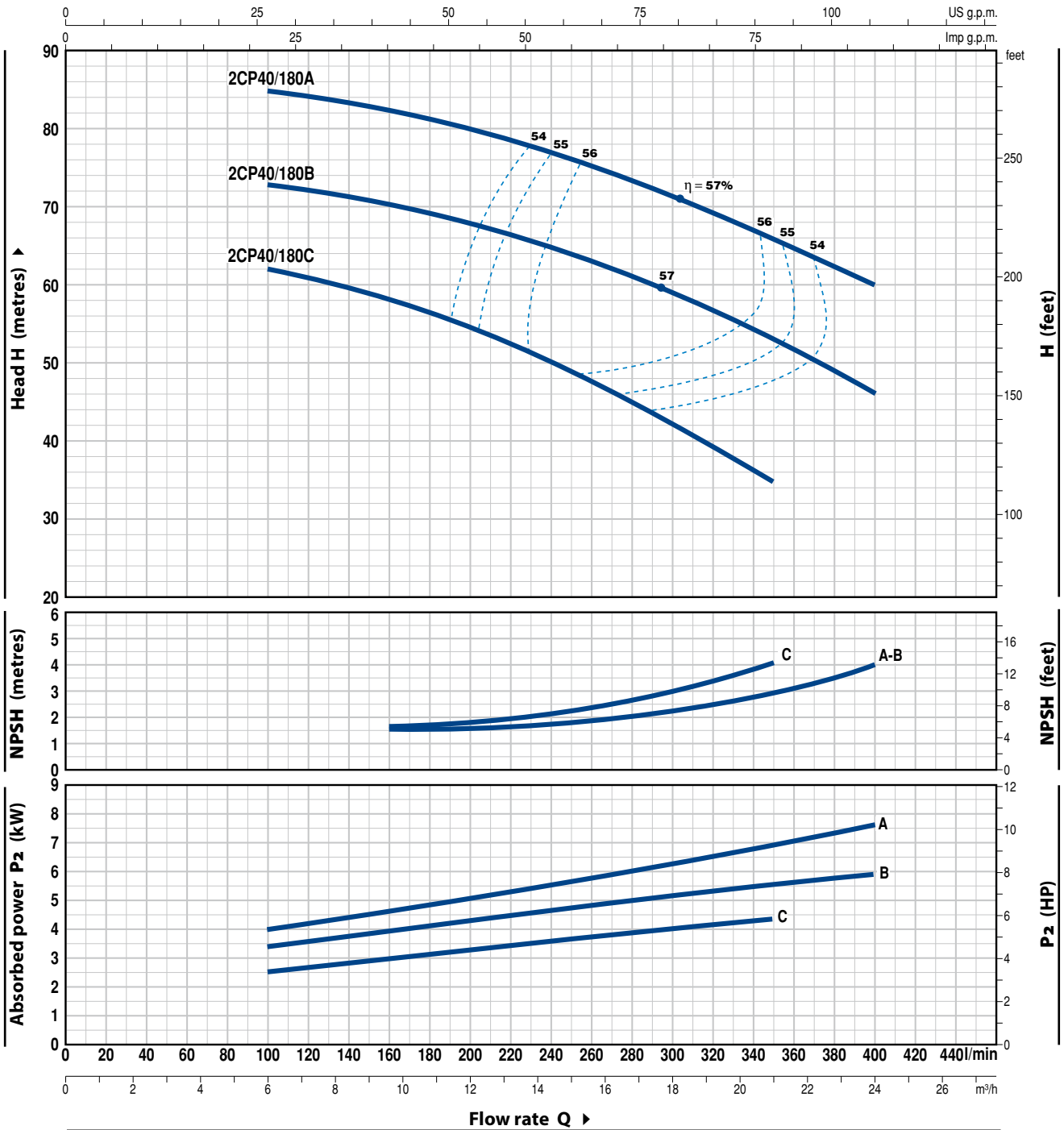
Q = Flow rate H = Total manometric head HS = Suction height

Tolerance of characteristic curves in compliance with EN ISO 9906 Grade 3B.

▲ Performance class of the three-phase motor (IEC-60034-30)

CHARACTERISTIC CURVES AND PERFORMANCE DATA

50 Hz n= 2900 rpm HS= 0 m



| MODEL | POWER (P ₂) | | ▲ | Q | Flow rate Q | | | | | | | | | | | | | | |
|-------------|-------------------------|-----|-----|----------|-------------|-----|------|-----|-----|-----|------|------|------|------|------|------|--|--|--|
| | kW | HP | | | 0 | 6.0 | 6.6 | 7.5 | 8.4 | 9.6 | 10.8 | 12.0 | 15.0 | 18.0 | 21.0 | 24.0 | | | |
| Three-phase | | | | l/min | 0 | 100 | 110 | 125 | 140 | 160 | 180 | 200 | 250 | 300 | 350 | 400 | | | |
| 2CP 40/180C | 4 | 5.5 | IE3 | H metres | 64 | 62 | 61 | 60 | 59 | 58 | 56 | 54.5 | 49 | 43 | 35 | | | | |
| 2CP 40/180B | 5.5 | 7.5 | | | 76 | 73 | 72.5 | 72 | 71 | 70 | 69 | 67.5 | 64 | 59.5 | 54 | 46 | | | |
| 2CP 40/180A | 7.5 | 10 | | | 88 | 85 | 84.5 | 84 | 83 | 82 | 81 | 79.5 | 76 | 72 | 67 | 60 | | | |

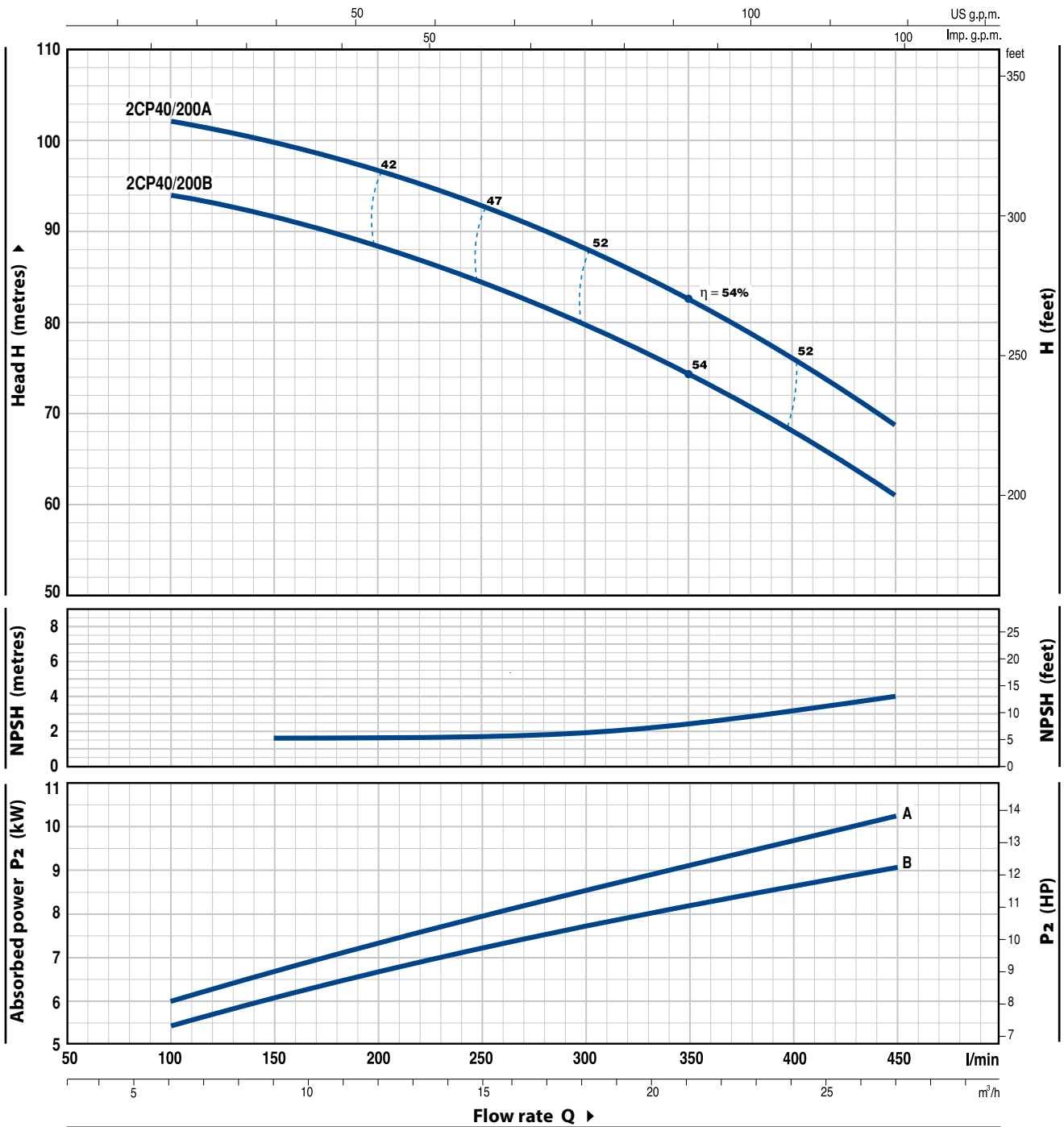
Q = Flow rate H = Total manometric head HS = Suction height

Tolerance of characteristic curves in compliance with EN ISO 9906 Grade 3B.

▲ Performance class of the three-phase motor (IEC-60034-30)

CHARACTERISTIC CURVES AND PERFORMANCE DATA

50 Hz n= 2900 rpm HS= 0 m



| MODEL | POWER (P ₂) | | ▲ | Q | Flow rate | | | | | | | | | | | | |
|-------------|-------------------------|------|-----|----------|-----------|-----|-----|------|------|------|------|------|------|------|--|--|--|
| | kW | HP | | | 0 | 6.0 | 9 | 10.8 | 12.0 | 15.0 | 18.0 | 21.0 | 24.0 | 27.0 | | | |
| Three-phase | | | | | 0 | 100 | 150 | 180 | 200 | 250 | 300 | 350 | 400 | 450 | | | |
| 2CP 40/200B | 9.2 | 12.5 | IE3 | H metres | 97 | 94 | 92 | 90 | 88 | 85 | 80 | 74 | 68 | 61 | | | |
| 2CP 40/200A | 11 | 15 | | | 105 | 102 | 100 | 98 | 97 | 93 | 88 | 83 | 76 | 69 | | | |

Q = Flow rate H = Total manometric head HS = Suction height

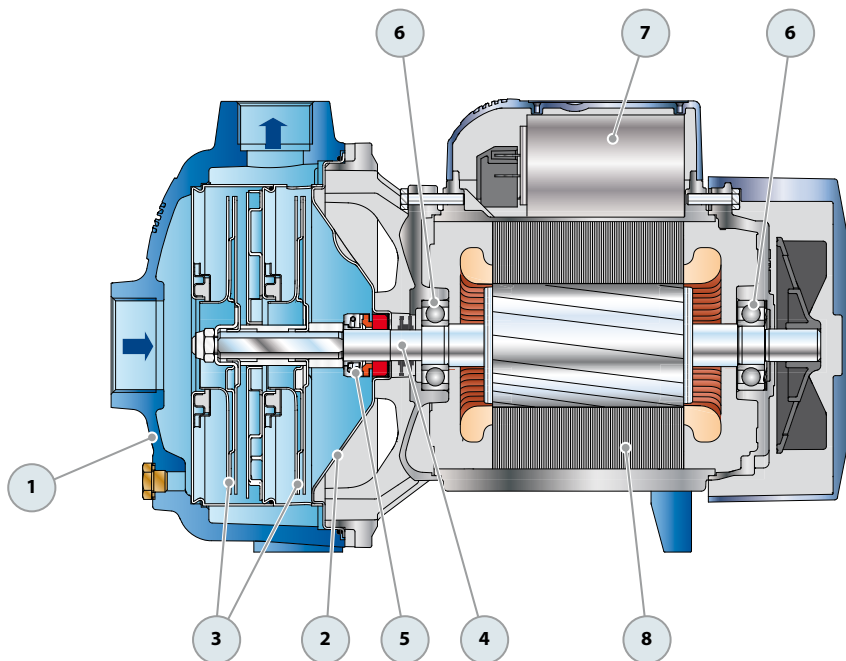
Tolerance of characteristic curves in compliance with EN ISO 9906 Grade 3B.

▲ Performance class of the three-phase motor (IEC-60034-30)

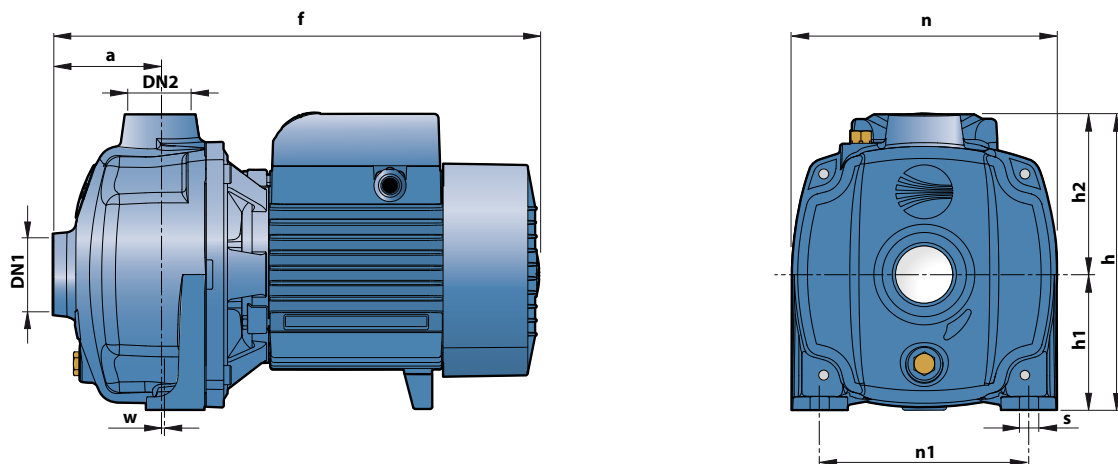
2CP 25/130N

POS. COMPONENT CONSTRUCTION CHARACTERISTICS

| | | | | | | |
|---|------------------------|--|-------------------------|------------------------|------------------------|------------------|
| 1 | PUMP BODY | Cast iron complete with threaded ports in compliance with ISO 228/1 | | | | |
| 2 | BODY BACKPLATE | Stainless steel AISI 304 | | | | |
| 3 | IMPELLERS | Stainless steel AISI 304 | | | | |
| 4 | MOTOR SHAFT | Stainless steel EN 10088-3 - 1.4104 | | | | |
| 5 | MECHANICAL SEAL | <i>Seal</i> | <i>Shaft</i> | <i>Materials</i> | | |
| | | <i>Model</i> | <i>Diameter</i> | <i>Stationary ring</i> | <i>Rotational ring</i> | <i>Elastomer</i> |
| | | AR-14 | Ø 14 mm | Ceramic | Graphite | NBR |
| 6 | BEARINGS | 6203 ZZ / 6203 ZZ | | | | |
| 7 | CAPACITOR | <i>Pump</i> | <i>Capacitance</i> | | | |
| | | <i>Single-phase</i> | <i>(230 V or 240 V)</i> | | <i>(110 V)</i> | |
| | | 2CPm 25/130N | 20 µF - 450 VL | 60 µF - 300 VL | | |
| 8 | ELECTRIC MOTOR | <p>2CPm 25/130N: single-phase 230 V - 50 Hz with thermal overload protector incorporated into the winding. 2CP 25/130N: three-phase 230/400 V - 50 Hz.</p> <p>⇒ The three-phase pumps are fitted with high performance motors in class IE2 (IEC 60034-30)</p> <ul style="list-style-type: none"> - Insulation: class F - Protection: IP X4 | | | | |



DIMENSIONS AND WEIGHT



| MODEL | | PORTS | | DIMENSIONS mm | | | | | | | | | kg | |
|--------------|-------------|-------|-----|---------------|-----|-----|----|-----|-----|-----|---|----|------|------|
| Single-phase | Three-phase | DN1 | DN2 | a | f | h | h1 | h2 | n | n1 | w | s | 1~ | 3~ |
| 2CPm 25/130N | 2CP 25/130N | 1¼" | 1" | 73 | 330 | 201 | 92 | 109 | 180 | 142 | 1 | 10 | 14.5 | 14.4 |

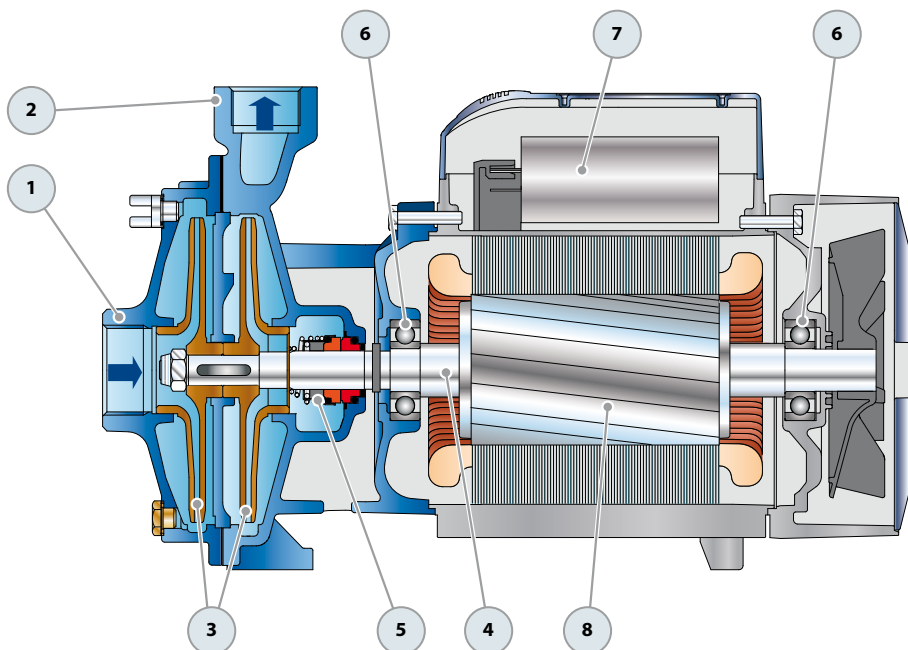
ABSORPTION

| MODEL | VOLTAGE | | |
|--------------|---------|-------|--------|
| | 230 V | 240 V | 110 V |
| 2CPm 25/130N | 6.3 A | 6.0 A | 12.6 A |

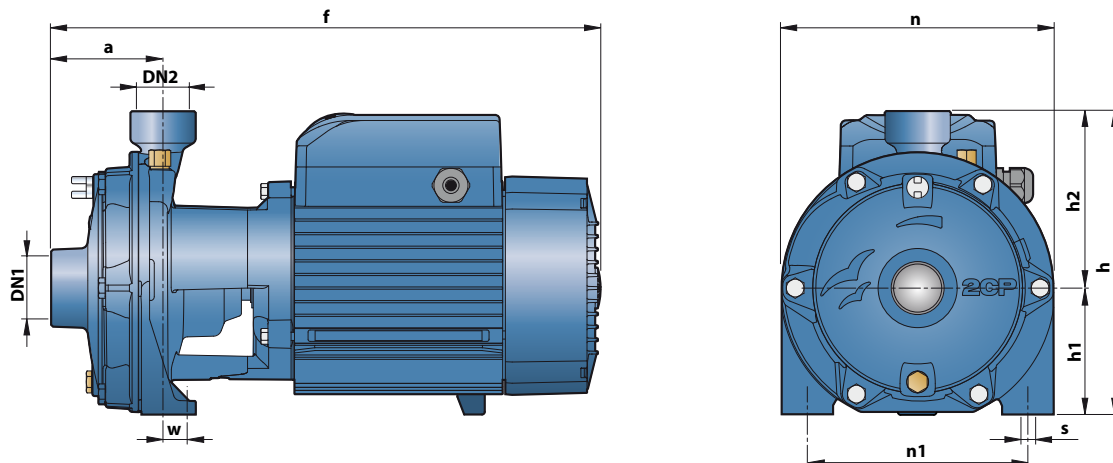
| MODEL | VOLTAGE | | | | | |
|-------------|---------|-------|-------|-------|-------|-------|
| | 230 V | 400 V | 690 V | 240 V | 415 V | 720 V |
| 2CP 25/130N | 4.6 A | 2.6 A | 1.5 A | 4.3 A | 2.5 A | 1.4 A |

POS. COMPONENT CONSTRUCTION CHARACTERISTICS

| | | | | | | | |
|-------------|------------------------|---|-----------------------------|-----------------|------------------------|------------------------|------------------|
| 1 | SUCTION BODY | Cast iron complete with threaded suction port in compliance with ISO 228/1 | | | | | |
| 2 | DELIVERY BODY | Cast iron complete with threaded suction port in compliance with ISO 228/1 | | | | | |
| 3 | IMPELLERS | Brass | | | | | |
| 4 | MOTOR SHAFT | Stainless steel EN 10088-3 - 1.4104 | | | | | |
| 5 | MECHANICAL SEAL | <i>Pump</i> | <i>Seal</i> | <i>Shaft</i> | <i>Materials</i> | | |
| | | <i>Model</i> | <i>Model</i> | <i>Diameter</i> | <i>Stationary ring</i> | <i>Rotational ring</i> | <i>Elastomer</i> |
| | | 2CP 25/14 | FN-18 | Ø 18 mm | Graphite | Ceramic | NBR |
| | | 2CP 25/16 | | | | | |
| | | 2CP 32/200 | FN-20 | Ø 20 mm | Graphite | Ceramic | NBR |
| | | 2CP 32/210 | | | | | |
| | | 2CP 40/180 | FN-24 | Ø 24 mm | Graphite | Ceramic | NBR |
| 2CP 40/200 | | | | | | | |
| 2CP 40/200 | FN-32 NU | Ø 32 mm | Graphite | Ceramic | NBR | | |
| 6 | BEARINGS | <i>Pump</i> | <i>Model</i> | | | | |
| | | 2CP 25/14 | 6204 ZZ - C3 / 6204 ZZ - C3 | | | | |
| | | 2CP 25/16 | | | | | |
| | | 2CP 32/200 | 6206 ZZ - C3 / 6206 ZZ - C3 | | | | |
| | | 2CP 32/210 | 6306 ZZ - C3 / 6206 ZZ - C3 | | | | |
| | | 2CP 40/180 | | | | | |
| | | 2CP 40/200 | 6308 ZZ - C3 / 6308 ZZ - C3 | | | | |
| 7 | CAPACITOR | <i>Pump</i> | <i>Capacitance</i> | | | | |
| | | <i>Single-phase</i> | <i>(230 V or 240 V)</i> | <i>(110 V)</i> | | | |
| | | 2CPm 25/14B | 25 µF - 450 VL | 60 µF - 250 VL | | | |
| | | 2CPm 25/16C | 45 µF - 450 VL | 80 µF - 250 VL | | | |
| | | 2CPm 25/14A | | | | | |
| 2CPm 25/16B | | | | | | | |
| 8 | ELECTRIC MOTOR | <p>2CPm: single-phase 230 V - 50 Hz with thermal overload protector incorporated into the winding. 2CP: three-phase 230/400 V - 50 Hz up to 4 kW 400/690 V - 50 Hz from 5.5 to 11 kW</p> <p>➔ The three-phase pumps are fitted with high performance motors up to P2=1.1kW in class IE2 and from P2=1.5kW in class IE3 (IEC 60034-30)</p> <ul style="list-style-type: none"> - Insulation: class F - Protection: IP X4 | | | | | |



DIMENSIONS AND WEIGHT



| MODEL | | PORTS | | DIMENSIONS mm | | | | | | | | | kg | | |
|--------------|-------------|--------|--------|---------------|-----|-----|-----|-----|-----|-----|------|----|------|------|------|
| Single-phase | Three-phase | DN1 | DN2 | a | f | h | h1 | h2 | n | n1 | w | s | 1~ | 3~ | |
| 2CPm 25/14B | 2CP 25/14B | 1 1/4" | 1" | 82 | 404 | 223 | 93 | 130 | 200 | 162 | 17 | 10 | 19.3 | 18.8 | |
| 2CPm 25/14A | 2CP 25/14A | | | | | 261 | 110 | 151 | 225 | 185 | 26 | 11 | 24.6 | 23.5 | |
| 2CPm 25/16C | 2CP 25/16C | | | | | 223 | 93 | 130 | 200 | 162 | 17 | 10 | 19.3 | 18.6 | |
| 2CPm 25/16B | 2CP 25/16B | | | | | 261 | 110 | 151 | 225 | 185 | 26 | 11 | 24.4 | 23.3 | |
| - | 2CP 25/16A | | | | | - | - | - | - | - | - | - | - | - | 24.6 |
| - | 2CP 32/200C | 1 1/2" | 1 1/4" | 95 | 464 | 304 | 132 | 172 | 266 | 206 | 19 | - | - | 38.0 | |
| - | 2CP 32/200B | | | | | - | - | - | - | - | - | - | - | - | 43.0 |
| - | 2CP 32/210B | | | | | - | - | - | - | - | - | - | - | - | 54.0 |
| - | 2CP 32/210A | 2" | 1 1/2" | 108 | 542 | 334 | 139 | 195 | 292 | 232 | 21 | 14 | - | 61.0 | |
| - | 2CP 40/180C | | | | | 496 | - | - | - | | | | - | - | 49.0 |
| - | 2CP 40/180B | | | | | 542 | - | - | - | | | | - | - | 54.0 |
| - | 2CP 40/180A | | | | | - | - | - | - | | | | - | - | 60.0 |
| - | 2CP 40/200B | | | | | - | - | - | - | | | | - | - | 90.0 |
| - | 2CP 40/200A | 110 | 566 | 355 | 160 | 195 | 298 | - | - | - | 91.0 | | | | |

ABSORPTION

| MODEL | VOLTAGE | | |
|--------------|---------|--------|--------|
| Single-phase | 230 V | 240 V | 110 V |
| 2CPm 25/14B | 7.7 A | 7.4 A | 15.5 A |
| 2CPm 25/14A | 10.5 A | 10.0 A | 21.0 A |
| 2CPm 25/16C | 7.7 A | 7.4 A | 15.5 A |
| 2CPm 25/16B | 10.0 A | 9.6 A | 20.0 A |

| MODEL | VOLTAGE | | | | | |
|-------------|---------|--------|--------|--------|---------|--------|
| Three-phase | 230 V | 400 V | 690 V | 240 V | 415 V | 720 V |
| 2CP 25/14B | 5.4 A | 3.1 A | 1.8 A | 5.2 A | 3.0 A | 1.7 A |
| 2CP 25/14A | 6.9 A | 4.0 A | 2.3 A | 6.6 A | 3.8 A | 2.2 A |
| 2CP 25/16C | 5.4 A | 3.1 A | 1.8 A | 5.2 A | 3.0 A | 1.7 A |
| 2CP 25/16B | 6.9 A | 4.0 A | 2.3 A | 6.6 A | 3.8 A | 2.2 A |
| 2CP 25/16A | 9.2 A | 5.3 A | 3.1 A | 8.8 A | 5.1 A | 2.9 A |
| 2CP 32/200C | 12.8 A | 7.4 A | 4.3 A | 12.3 A | 7.1 A | 4.1 A |
| 2CP 32/200B | 18.2 A | 10.5 A | 6.1 A | 17.7 A | 10.2 A | 5.9 A |
| 2CP 32/210B | 21.7 A | 12.5 A | 7.2 A | 19.9 A | 11.5 A | 6.7 A |
| 2CP 32/210A | 27.7 A | 16.0 A | 9.2 A | 26.0 A | 15.0 A | 8.7 A |
| 2CP 40/180C | 17.0 A | 9.8 A | 5.7 A | 16.5 A | 9.5 A | 5.5 A |
| 2CP 40/180B | 21.3 A | 12.3 A | 7.1 A | 20.8 A | 12.0 A | 6.9 A |
| 2CP 40/180A | 26.7 A | 15.4 A | 8.9 A | 26.0 A | 15.0 A | 8.7 A |
| 2CP 40/200B | - | 17.5 A | 10.1 A | - | 17.45 A | 10.0 A |
| 2CP 40/200A | - | 20.0 A | 11.6 A | - | 19.9 A | 11.5 A |

PALLETIZATION

| MODEL | | GROUPAGE | CONTAINER |
|--------------|-------------|----------|-----------|
| Single-phase | Three-phase | n. pumps | n. pumps |
| 2CPm 25/14B | 2CP 25/14B | 50 | 70 |
| 2CPm 25/14A | 2CP 25/14A | 50 | 70 |
| 2CPm 25/16C | 2CP 25/16C | 50 | 70 |
| 2CPm 25/16B | 2CP 25/16B | 50 | 70 |
| - | 2CP 25/16A | 50 | 70 |
| - | 2CP 32/200C | 18 | 24 |
| - | 2CP 32/200B | 18 | 24 |
| - | 2CP 32/210B | 12 | 16 |
| - | 2CP 32/210A | 12 | 16 |
| - | 2CP 40/180C | 12 | 16 |
| - | 2CP 40/180B | 12 | 16 |
| - | 2CP 40/180A | 12 | 16 |
| - | 2CP 40/200B | 6 | 9 |
| - | 2CP 40/200A | 6 | 9 |