

LNESX 50-590/75/204CS4

Technical data

Company name
Contact
Phone number
e-mail address

Operating data					
1	Pumpe type	In-Line single head	Fluid	Water, pure	
2	No. of pumps	1	Operating temperature t A	°C	4
3	Nominal flow	m ³ /h 0	pH-value at t A		7
4	Nominal head	m 0	Density at t A	kg/m ³	1000
5	Static head	m 0	Vapor pressure at t A	kPa	100
6	Inlet pressure	kPa 0	Kin. viscosity at t A	mm ² /s	1.569
7	Environmental temperature	°C 20	Altitude		0
8	Available system NPSH	m 0			

Pump data		
9	Product version	[X] - Hydrovar X+
10	Operating speed	
11	Stages	1
12	Max. working pressure	kPa 570.3
13	Head H(Q=0)	m 58
14	Power input P1(max)	kW 8.4
15	Total weight	kg 69.4
16	Power input	kW
17	Overall efficiency	%
18	Shaft power	kW
19	Pump efficiency	%
20	NPSH 3%	m
21		

Materials				
	Pump		Shaft Seal	
22			Single mechanical seal, without shaft sleeve	
23	Volute Casing	Cast iron		
24	Casing Cover	Cast iron	eMG12 - Ø22mm	BQ7EGG-WA
25	Impeller	Stainless steel / AISI 316L		
26	Stub shaft	Stainless steel / AISI 316L	1. Rotating ring	Carbon graphite resin impregnated
27	Wear ring	Stainless steel / AISI 304	2. Stationary ring	SiC, silicon carbide, sintered press.less
28	Impeller lock nut and washer	Stainless steel / AISI 304	3. Secondary seal	Ethylene propylene rubber (EPDM)
29	Impeller key	Stainless steel / AISI 316L	4. Springs	CrNiMo - Steel
30	Fill and drain plugs	Nickel-plated brass	5. Others	EPDM - WRAS
31			Gaskets of the pump	Ethylene propylene rubber (EPDM)
32				
33				
34				
35				
36				
37				
38				
39				
40				
41				

Motor data				
42	Manufacturer	Xylem	Rated voltage	380-480V
43	Specific design	IE5 Three phase motor	Rated current	13,7-11,8 A
44	Type	EXM132B5/4.075CH2	Motor efficiency @400V %	4/4: 90.8 3/4: 90.1 2/4: 88.4
45	Rated power	7.5 kW	Power factor @400V	0.85
46	Nominal speed	3600 rpm	Weight	kg 41.4
47	Frame size	132		
48	Size	C		

Remarks	
49	
50	
50	
52	

Project	Xylect-22288950	Created by		Last update	5/14/2024
Block	LNESX 50-590/75/204CS4	Created on	5/14/2024		

LNESX 50-590/75/204CS4

Performance curve

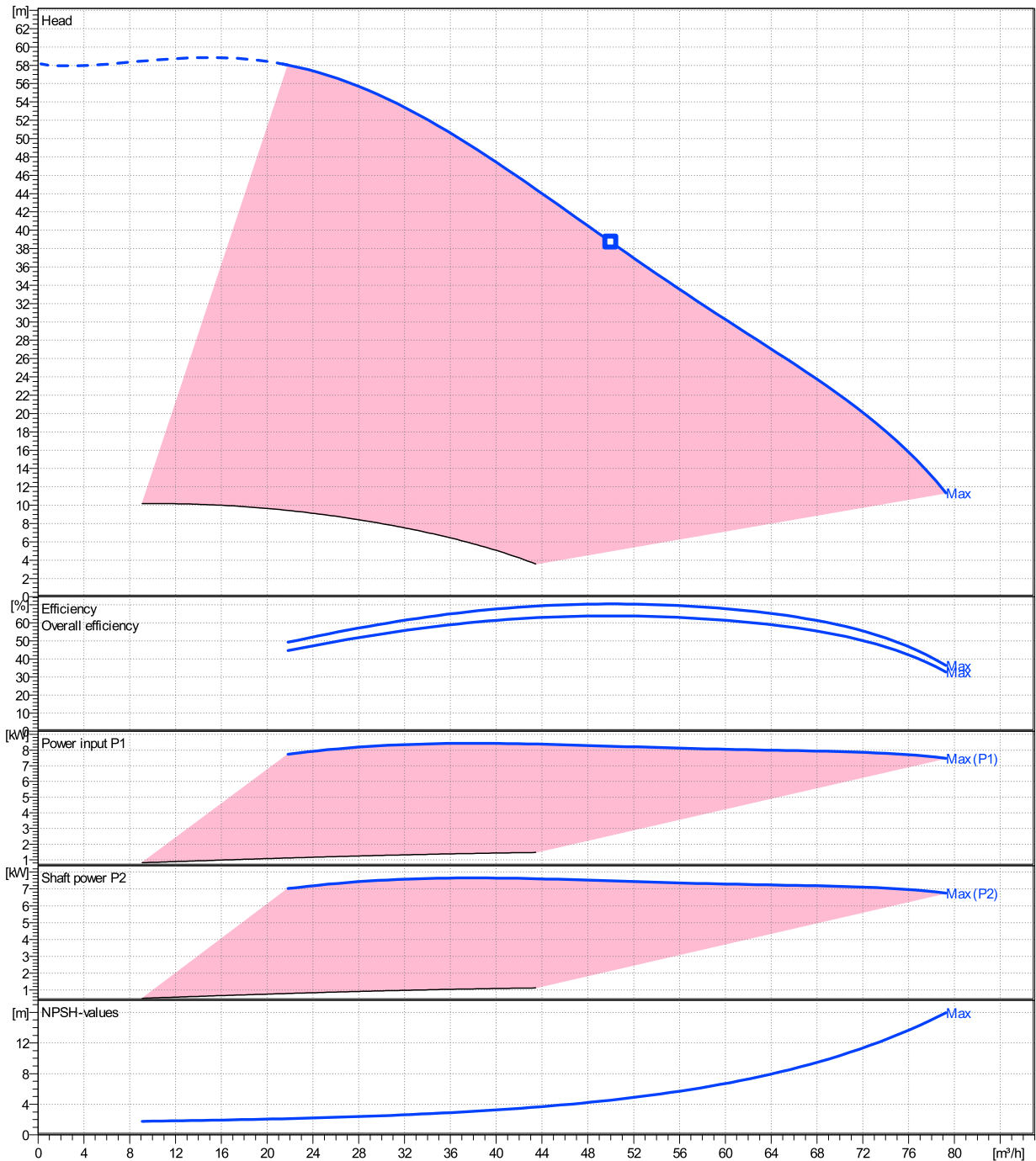
Company name
Contact
Phone number
e-mail address

Ø	Pump capacity			Pump head		Frequency	Hz	50/60
	Operating range	η	η	H(Q=0)	η			
	Min. m³/h	Max. m³/h	Max. m³/h	m	Max. m	Operating speed	rpm	
Max.	21.8	79.3	50	58.1	38.7	Nominal flow	m³/h	0
						Nominal head	m	0
						Inlet pressure	kPa	0
						Static head	m	0

Power datas referred to:

hydr. Performance acceptance acc. To EN ISO 9906 Class 3B

Water, pure [100%] ; 4°C; 1000kg/m³; 1.57mm²/s

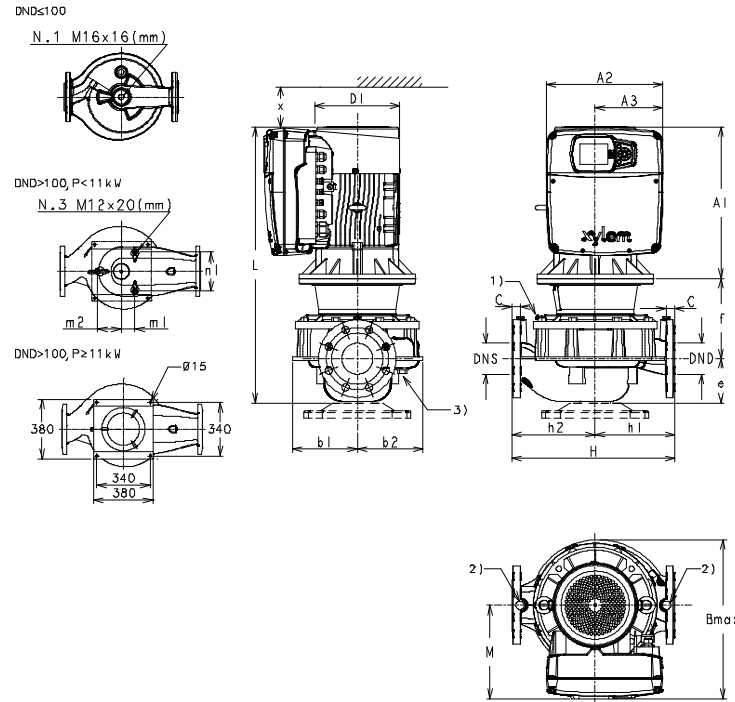


LNESX 50-590/75/204CS4

Dimensions

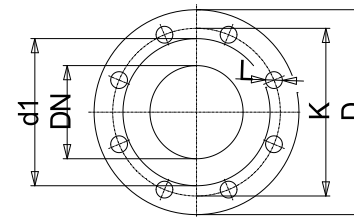
Company name
Contact
Phone number
e-mail address

[X] - Hydrovar X+
EXM132B5/4.075CH2



- (1) AIR VALVE
- (2) PRESSURE GAUGE CONNECTOR
- (3) DRAIN

	CONNECTIONS		
	DNDs100	DNDs150	DNDz200
1)	R 1/8	-	-
2)	R 3/8	G 1/4	G 1/2
3)	G 3/8	G 1/4	G 1/2



Note: Value D, C and d may vary from standard

Dimensions [mm]	
A1	329
A2	302
A3	175
b1	118
b2	128
Bmax	369
D1	220
DND	50
DNS	50
e	116
f	192
H	340
h1	180
h2	160
IEC	132
L	699
M	241
x	300

Weight	
Total weight	69.4 kg

Connections			
EN1092-2		EN1092-2	
DN50		DN50	
PN16		PN16	
C	20	C	20
D	165	D	165
d1	99	d1	99
K	125	K	125
L	4x19	L	4x19

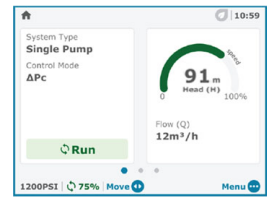
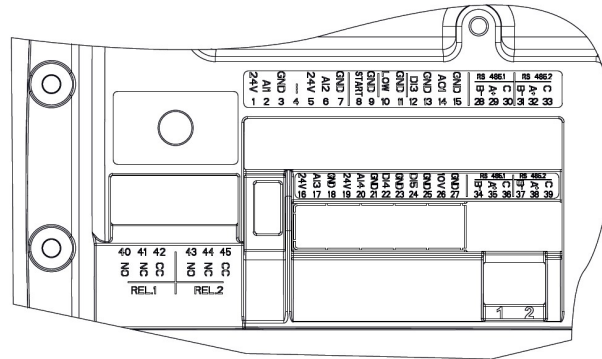
Dimensions and weight without obligation

Project	Xylect-22288950	Created by		Created on	5/14/2024	Last update	5/14/2024
Block	LNESX 50-590/75/204CS4						

LNESX 50-590/75/204CS4

Technical data

Company name
Contact
Phone number
e-mail address



REF.	ITEM	DESCRIPTION	DEFAULT
1		Power supply +24 VDC, max. 60mA (total, terminals 1 + 5)	
2	Analog Input 1	Configurable Analog Input 1	Pressure Sensor 1
3		Electronic GND	
4	Not used	Internal use - Do not connect	
5		Power supply +24 VDC, max. 60mA (total, terminals 1 + 5)	
6	Analog Input 2	Configurable Analog Input 2	Not used
7		Electronic GND	
8	External Start/Stop	Start/Stop digital input, +24 VDC internal pull-up, 6mA contact current	-
9		Electronic GND	
10	External Lack of Water	Low water digital input, +24 VDC internal pull-up, 6mA contact current	-
11		Electronic GND	
12	Digital Input 3	Configurable Digital Input 3, +24 VDC internal pull-up, 6mA contact current	Solo Run
13		Electronic GND	
14	Analog Output	Configurable Analog Output	Motor Speed
15		Electronic GND	
16		Power supply +24 VDC, max. 60mA (total, terminals 16 and 19)	
17	Analog Input 3	Configurable Analog Input 3	Not used
18		Electronic GND	
19		Power supply +24 VDC, max. 60mA (total, terminals 16 and 19)	
20	Analog Input 4	Configurable Analog Input 4	Not used
21		Electronic GND	
22	Digital Input 4	Configurable Digital Input 4, +24 VDC internal pull-up, 6mA contact current	Not used
23		Electronic GND	
24	Digital Input 5	Configurable Digital Input 5, +24 VDC internal pull-up, 6mA contact current	Not used
25		Electronic GND	
26	10 VDC supply	Power supply +10 VDC, max. 3mA	-
27		Electronic GND	
28		RS485 port 1 : RS485-1B N (-)	
29	Communication bus 1	RS485 port 1 : RS485-1A P (+)	Multipump
30		RS485 port 1 : RS485-COM	
31		RS485 port 2 : RS485-2B N (-)	
32	Communication bus 2	RS485 port 2 : RS485-2A P (+)	Modbus
33		RS485 port 2 : RS485-COM	
34		RS485 port 1 : RS485-1B N (-)	
35	Communication bus 1	RS485 port 1 : RS485-1A P (+)	Multipump
36		RS485 port 1 : RS485-COM	
37		RS485 port 2 : RS485-2B N (-)	
38	Communication bus 2	RS485 port 2 : RS485-2A P (+)	Modbus
39		RS485 port 2 : RS485-COM	
40		Configurable relay 1: Normally Open	
41	Relay 1	Configurable relay 1: Normally Closed	Running
42		Configurable relay 1: Common Contact	
43		Configurable relay 2: Normally Open	
44	Relay 2	Configurable relay 2: Normally Closed	Error
45		Configurable relay 2: Common Contact	