

46SVX03N150PT04QBE

Technical data

Company name
Contact
Phone number
e-mail address

| Operating data | | | | | |
|----------------|---------------------------|----------|----|---------------------------|-------------|
| 1 | Pumpe type | vertical | | Fluid | Water, pure |
| 2 | No. of pumps | | 1 | Operating temperature t A | °C 4 |
| 3 | Nominal flow | m³/h | 0 | pH-value at t A | 7 |
| 4 | Nominal head | m | 0 | Density at t A | kg/m³ 1000 |
| 5 | Static head | m | 0 | Vapor pressure at t A | kPa 100 |
| 6 | Inlet pressure | kPa | 0 | Kin. viscosity at t A | mm²/s 1.569 |
| 7 | Environmental temperature | °C | 20 | Altitude | 0 |
| 8 | Available system NPSH | m | 0 | | |

| Pump data | | |
|-----------|-----------------------|-------------------|
| 9 | Product version | [X] - Hydrovar X+ |
| 10 | Operating speed | |
| 11 | Stages | 3 |
| 12 | Max. working pressure | kPa 1169 |
| 13 | Head H(Q=0) | m 120 |
| 14 | Power input P1(max) | kW 16.5 |
| 15 | Total weight | kg 145.6 |
| 16 | Power input | kW |
| 17 | Overall efficiency | % |
| 18 | Shaft power | kW |
| 19 | Pump efficiency | % |
| 20 | NPSH 3% | m |
| 21 | | |

| Materials | | | |
|-----------|--------------------------|---------------------------------|------------------------|
| | Pump | Shaft Seal | |
| 22 | | | |
| 23 | Pump body | Stainless steel / AISI 316 cast | Mechanical seal |
| 24 | Lower support | Stainless steel / AISI 316 cast | Uniten (-30 / +120 °C) |
| 25 | Impeller | Stainless steel / AISI 316L | |
| 26 | Diffuser | Stainless steel / AISI 316L | 1 - Rotating part |
| 27 | Outer sleeve | Stainless steel / AISI 316L | 2 - Stationary part |
| 28 | Shaft | Duplex Stainless steel | 3 - Elastomers |
| 29 | Adapter | Cast iron | 4 - Springs |
| 30 | Wear ring | Technopolymer PPS | 5 - Other components |
| 31 | Coupling | Cast iron | |
| 32 | Upper head | Stainless steel / AISI 316 cast | |
| 33 | SEAL HOUSING | Stainless steel / AISI 316 cast | |
| 34 | Coupling protection | Stainless steel / AISI 304 | |
| 35 | Shaft sleeve and bushing | Tungsten carbide | |
| 36 | Bushing for diffuser | Carbon | |
| 37 | Fill / drain plugs | Stainless steel / AISI 316 | |
| 38 | Tie rods | Stainless steel / AISI 431 | |
| 39 | | | |
| 40 | | | |
| 41 | | | |

| Motor data | | | |
|------------|-----------------|-----------------------|--------------------------|
| 42 | Manufacturer | Xylem | Rated voltage |
| 43 | Specific design | IE5 Three phase motor | Rated current |
| 44 | Type | EXM160B5/4.150DH2 | Motor efficiency @400V % |
| 45 | Rated power | 15 kW | Power factor @400V |
| 46 | Nominal speed | 3600 rpm | Weight |
| 47 | Frame size | 160 | |
| 48 | Size | D | |

| Remarks | |
|---------|--|
| 49 | |
| 50 | |
| 50 | |
| 52 | |

46SVX03N150PT04QBE

Performance curve

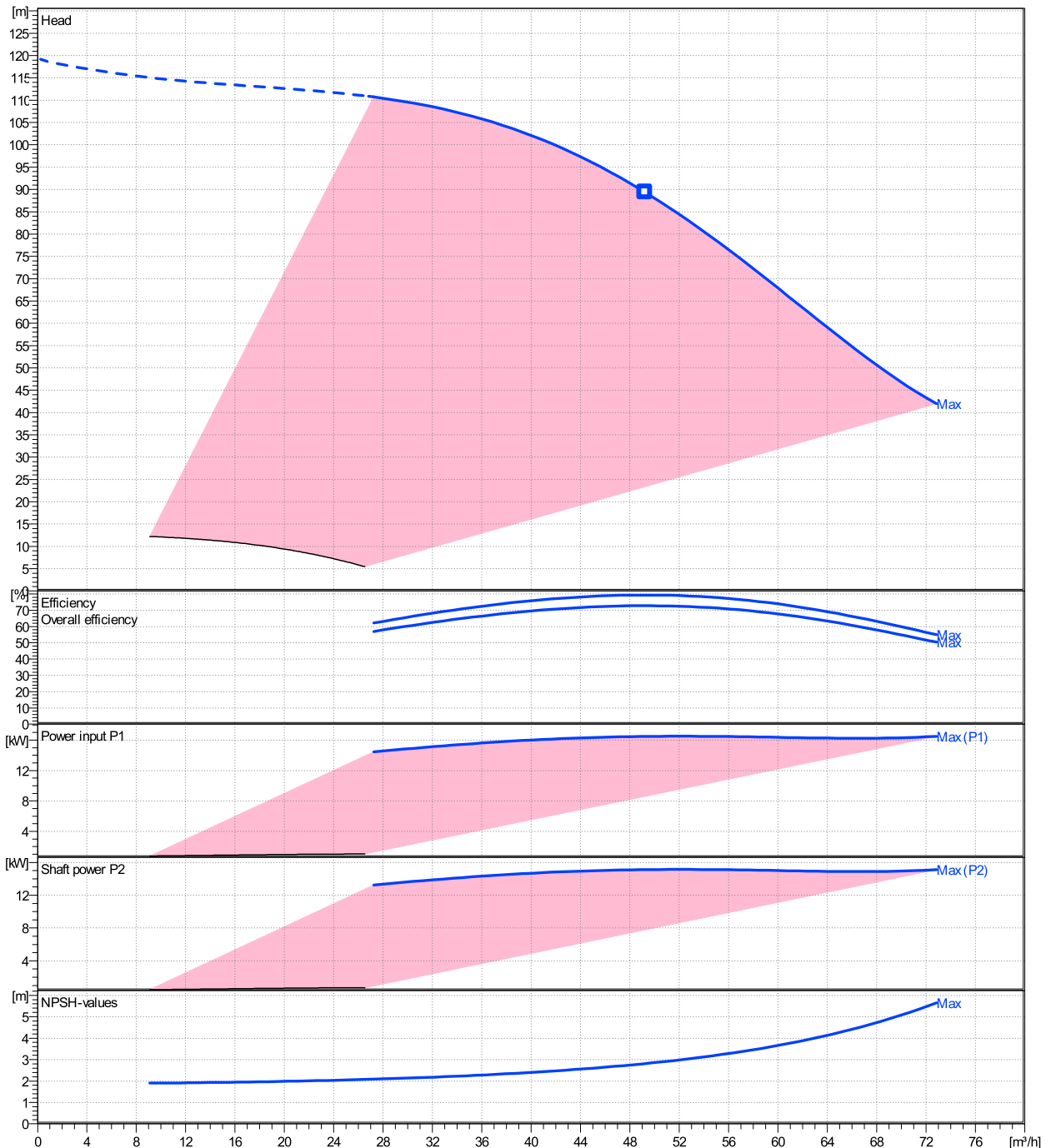
Company name
Contact
Phone number
e-mail address

| Ø | Pump capacity | | | Pump head | | Frequency | Hz | 50/60 |
|------|-----------------|-----------|-----------|-----------|------|-----------------|------|-------|
| | Operating range | η | η | H(Q=0) | η | | | |
| | Min. m³/h | Max. m³/h | Max. m³/h | m | m | Operating speed | rpm | |
| Max. | 27.2 | 72.9 | 49.2 | 119 | 89.4 | Nominal flow | m³/h | 0 |
| | | | | | | Nominal head | m | 0 |
| | | | | | | Inlet pressure | kPa | 0 |
| | | | | | | Static head | m | 0 |

Power datas referred to:

hydr. Performance acceptance acc. To EN ISO 9906 Class 3B

Water, pure [100%] ; 4°C; 1000kg/m³; 1.57mm²/s

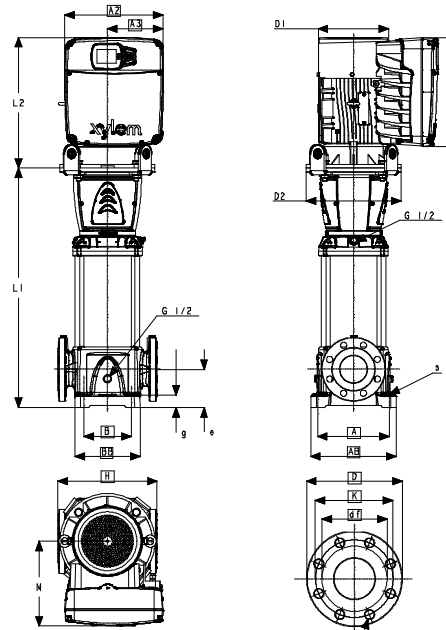


46SVX03N150PT04QBE

Dimensions

Company name
Contact
Phone number
e-mail address

[X] - Hydrovar X+
EXM160B5/4.150DH2



| SV G | | | | | | EN 1092-1 PN 16 | | | | | | EN 1092-1 PN 25 | | | | | |
|------|-----|-----|-----|-----------|-----|-----------------|-----|-----------|-----|-----|-----|-----------------|-----|-----|-----|-----------|-----|
| DN | D | K | df | d1 | d1 | D | K | df | d1 | D | K | df | d1 | D | K | df | d1 |
| 65 | 185 | 145 | 118 | N.4 x Ø19 | 185 | 145 | 118 | N.8 x Ø19 | 185 | 145 | 118 | N.8 x Ø19 | 185 | 145 | 118 | N.8 x Ø19 | 185 |
| 80 | 200 | 160 | 132 | N.8 x Ø19 | 200 | 160 | 132 | N.8 x Ø19 | 200 | 160 | 132 | N.8 x Ø19 | 200 | 160 | 132 | N.8 x Ø19 | 200 |
| 100 | 220 | 180 | 156 | N.8 x Ø19 | 235 | 190 | 156 | N.8 x Ø23 | 235 | 190 | 156 | N.8 x Ø23 | 235 | 190 | 156 | N.8 x Ø23 | 235 |
| 125 | 260 | 210 | 184 | N.8 x Ø19 | 280 | 220 | 184 | N.8 x Ø28 | 280 | 220 | 184 | N.8 x Ø28 | 280 | 220 | 184 | N.8 x Ø28 | 280 |

| SV N, P | | | | | | EN 1092-1 PN 16 | | | | | | EN 1092-1 PN 25 | | | | | |
|---------|-----|-----|-----|-----------|-----|-----------------|-----|-----------|-----|-----|-----|-----------------|-----|-----|-----|-----------|-----|
| DN | D | K | df | d1 | d1 | D | K | df | d1 | D | K | df | d1 | D | K | df | d1 |
| 65 | 185 | 145 | 122 | N.4 x Ø19 | 185 | 145 | 122 | N.8 x Ø19 | 185 | 145 | 122 | N.8 x Ø19 | 185 | 145 | 122 | N.8 x Ø19 | 185 |
| 80 | 200 | 160 | 138 | N.8 x Ø19 | 200 | 160 | 138 | N.8 x Ø19 | 200 | 160 | 138 | N.8 x Ø19 | 200 | 160 | 138 | N.8 x Ø19 | 200 |
| 100 | 220 | 180 | 158 | N.8 x Ø19 | 235 | 190 | 158 | N.8 x Ø23 | 235 | 190 | 158 | N.8 x Ø23 | 235 | 190 | 158 | N.8 x Ø23 | 235 |
| 125 | 260 | 210 | 184 | N.8 x Ø19 | 280 | 220 | 184 | N.8 x Ø28 | 280 | 220 | 184 | N.8 x Ø28 | 280 | 220 | 184 | N.8 x Ø28 | 280 |

| Dimensions [mm] | |
|---------------------|-----------------|
| A | 265 |
| A1 | 400 |
| A2 | 362 |
| A3 | 205 |
| AB | 315 |
| B | 190 |
| BB | 240 |
| D1 | 260 |
| D2 | 350 |
| DN | 80 |
| e | 140 |
| g | 45 |
| H | 365 |
| L1 | 734 |
| L2 | 480 |
| M | 312 |
| s | 4xØ15 |
| Weight | |
| Total weight | 145.6 kg |

Dimensions and weight without obligation

| | | | | | |
|---------|--------------------|------------|----------|-------------|----------|
| Project | Xylect-22265417 | Created by | | Last update | 5/9/2024 |
| Block | 46SVX03G150PT04QBE | Created on | 5/9/2024 | | |

46SVX03N150PT04QBE

Technical data

Company name
Contact
Phone number
e-mail address



| REF. | ITEM | DESCRIPTION | DEFAULT |
|------|------------------------|---|-------------------|
| 1 | | Power supply +24 VDC, max. 60mA (total, terminals 1 + 5) | |
| 2 | Analog Input 1 | Configurable Analog Input 1 | Pressure Sensor 1 |
| 3 | | Electronic GND | |
| 4 | Not used | Internal use - Do not connect | |
| 5 | | Power supply +24 VDC, max. 60mA (total, terminals 1 + 5) | |
| 6 | Analog Input 2 | Configurable Analog Input 2 | Not used |
| 7 | | Electronic GND | |
| 8 | External Start/Stop | Start/Stop digital input, +24 VDC internal pull-up, 6mA contact current | - |
| 9 | | Electronic GND | |
| 10 | External Lack of Water | Low water digital input, +24 VDC internal pull-up, 6mA contact current | - |
| 11 | | Electronic GND | |
| 12 | Digital Input 3 | Configurable Digital Input 3, +24 VDC internal pull-up, 6mA contact current | Solo Run |
| 13 | | Electronic GND | |
| 14 | Analog Output | Configurable Analog Output | Motor Speed |
| 15 | | Electronic GND | |
| 16 | | Power supply +24 VDC, max. 60mA (total, terminals 16 and 19) | |
| 17 | Analog Input 3 | Configurable Analog Input 3 | Not used |
| 18 | | Electronic GND | |
| 19 | | Power supply +24 VDC, max. 60mA (total, terminals 16 and 19) | |
| 20 | Analog Input 4 | Configurable Analog Input 4 | Not used |
| 21 | | Electronic GND | |
| 22 | Digital Input 4 | Configurable Digital Input 4, +24 VDC internal pull-up, 6mA contact current | Not used |
| 23 | | Electronic GND | |
| 24 | Digital Input 5 | Configurable Digital Input 5, +24 VDC internal pull-up, 6mA contact current | Not used |
| 25 | | Electronic GND | |
| 26 | 10 VDC supply | Power supply +10 VDC, max. 3mA | - |
| 27 | | Electronic GND | |
| 28 | | RS485 port 1 : RS485-1B N (-) | |
| 29 | Communication bus 1 | RS485 port 1 : RS485-1A P (+) | Multipump |
| 30 | | RS485 port 1 : RS485-COM | |
| 31 | | RS485 port 2 : RS485-2B N (-) | |
| 32 | Communication bus 2 | RS485 port 2 : RS485-2A P (+) | Modbus |
| 33 | | RS485 port 2 : RS485-COM | |
| 34 | | RS485 port 1 : RS485-1B N (-) | |
| 35 | Communication bus 1 | RS485 port 1 : RS485-1A P (+) | Multipump |
| 36 | | RS485 port 1 : RS485-COM | |
| 37 | | RS485 port 2 : RS485-2B N (-) | |
| 38 | Communication bus 2 | RS485 port 2 : RS485-2A P (+) | Modbus |
| 39 | | RS485 port 2 : RS485-COM | |
| 40 | | Configurable relay 1: Normally Open | |
| 41 | Relay 1 | Configurable relay 1: Normally Closed | Running |
| 42 | | Configurable relay 1: Common Contact | |
| 43 | | Configurable relay 2: Normally Open | |
| 44 | Relay 2 | Configurable relay 2: Normally Closed | Error |
| 45 | | Configurable relay 2: Common Contact | |