

# 33SVX02G075PT04QBE

## Technical data

Company name  
Contact  
Phone number  
e-mail address

| Operating data |                           |          |    |                           |             |
|----------------|---------------------------|----------|----|---------------------------|-------------|
| 1              | Pumpe type                | vertical |    | Fluid                     | Water, pure |
| 2              | No. of pumps              |          | 1  | Operating temperature t A | °C 4        |
| 3              | Nominal flow              | m³/h     | 0  | pH-value at t A           | 7           |
| 4              | Nominal head              | m        | 0  | Density at t A            | kg/m³ 1000  |
| 5              | Static head               | m        | 0  | Vapor pressure at t A     | kPa 100     |
| 6              | Inlet pressure            | kPa      | 0  | Kin. viscosity at t A     | mm²/s 1.569 |
| 7              | Environmental temperature | °C       | 20 | Altitude                  | 0           |
| 8              | Available system NPSH     | m        | 0  |                           |             |

| Pump data |                       |                   |
|-----------|-----------------------|-------------------|
| 9         | Product version       | [X] - Hydrovar X+ |
| 10        | Operating speed       |                   |
| 11        | Stages                | 2                 |
| 12        | Max. working pressure | kPa 684           |
| 13        | Head H(Q=0)           | m 70              |
| 14        | Power input P1(max)   | kW 8.3            |
| 15        | Total weight          | kg 102.4          |
| 16        | Power input           | kW                |
| 17        | Overall efficiency    | %                 |
| 18        | Shaft power           | kW                |
| 19        | Pump efficiency       | %                 |
| 20        | NPSH 3%               | m                 |
| 21        |                       |                   |

| Materials |                          |                             |   |
|-----------|--------------------------|-----------------------------|---|
|           | Pump                     | Shaft Seal                  |   |
| 22        |                          |                             |   |
| 23        | Pump body                | Cast iron                   | Mechanical seal                                 |
| 24        | Lower support            | Cast iron                   | Uniten (-30 / +120 °C)                          |
| 25        | Impeller                 | Stainless steel / AISI 316L |   |
| 26        | Diffuser                 | Stainless steel / AISI 304  | 1 - Rotating part<br>Silicon Carbide            |
| 27        | Outer sleeve             | Stainless steel / AISI 304  | 2 - Stationary part<br>Resin impregnated carbon |
| 28        | Shaft                    | Stainless steel / AISI 431  | 3 - Elastomers<br>EPDM                          |
| 29        | Adapter                  | Cast iron                   | 4 - Springs<br>AISI 316                         |
| 30        | Wear ring                | Technopolymer PPS           | 5 - Other components<br>AISI 316                |
| 31        | Coupling                 | Cast iron                   |   |
| 32        | Upper head               | Cast iron                   |   |
| 33        | SEAL HOUSING             | Cast iron                   |   |
| 34        | Coupling protection      | Stainless steel / AISI 304  |   |
| 35        | Shaft sleeve and bushing | Tungsten carbide            |   |
| 36        | Bushing for diffuser     | Carbon                      |   |
| 37        | Fill / drain plugs       | Stainless steel / AISI 316  |   |
| 38        | Tie rods                 | Galvanized steel            |   |
| 39        |                          |                             |   |
| 40        |                          |                             |   |
| 41        |                          |                             |   |

| Motor data |                 |                       |                          |                               |
|------------|-----------------|-----------------------|--------------------------|-------------------------------|
| 42         | Manufacturer    | Xylem                 | Rated voltage            | 380-480V                      |
| 43         | Specific design | IE5 Three phase motor | Rated current            | 13,7-11,8 A                   |
| 44         | Type            | EXM132B5/4.075CH2     | Motor efficiency @400V % | 4/4: 90.8 3/4: 90.1 2/4: 88.4 |
| 45         | Rated power     | 7.5 kW                | Power factor @400V       | 0.85                          |
| 46         | Nominal speed   | 3600 rpm              | Weight                   | kg 41.4                       |
| 47         | Frame size      | 132                   |                          |                               |
| 48         | Size            | C                     |                          |                               |

| Remarks |  |
|---------|--|
| 49      |  |
| 50      |  |
| 50      |  |
| 52      |  |

### 33SVX02G075PT04QBE

## Performance curve

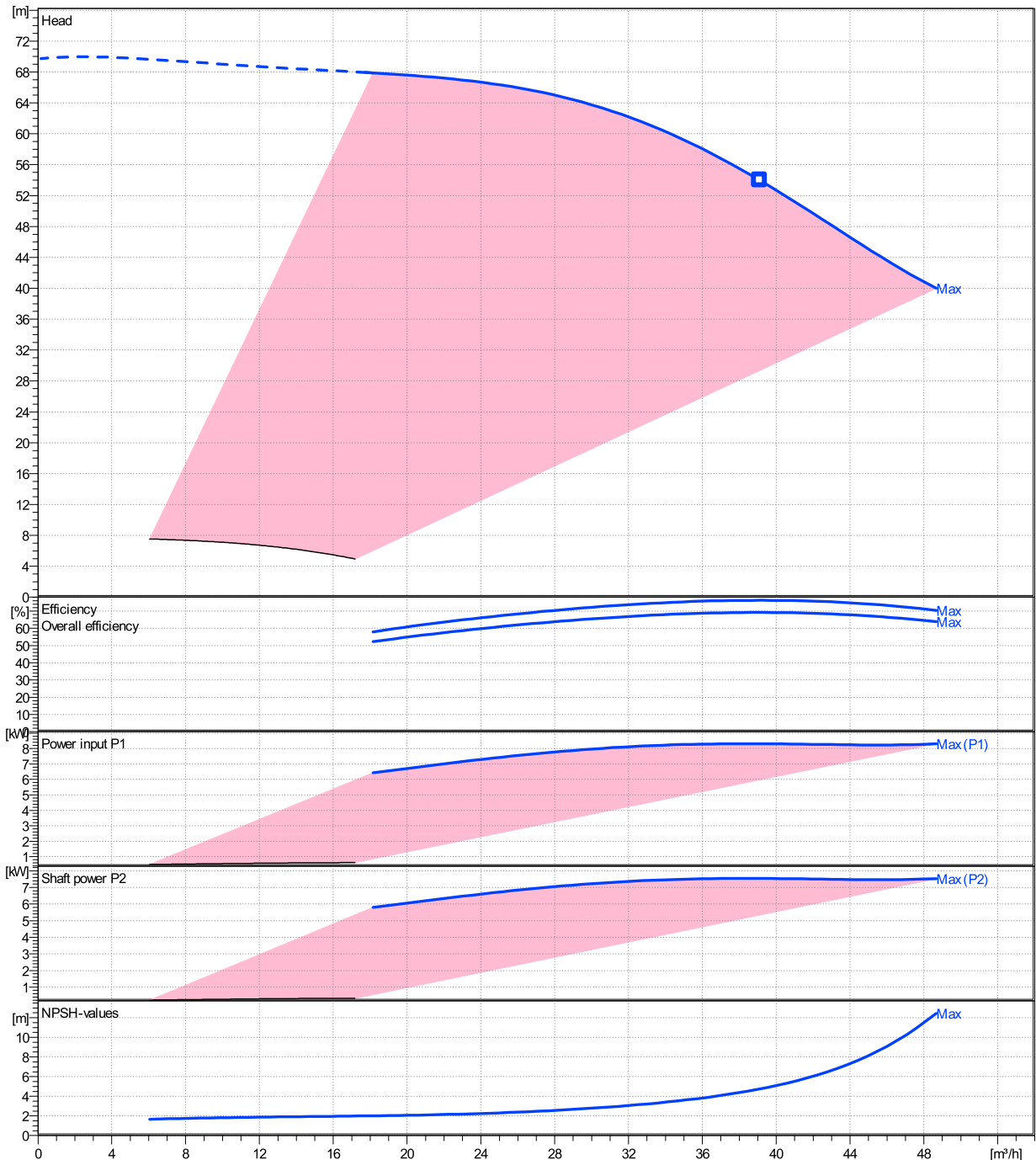
Company name  
Contact  
Phone number  
e-mail address

| Ø    | Pump capacity   |           |           | Pump head |    | Frequency       | Hz   | 50/60 |
|------|-----------------|-----------|-----------|-----------|----|-----------------|------|-------|
|      | Operating range | η         | η         | H(Q=0)    | η  |                 |      |       |
|      | Min. m³/h       | Max. m³/h | Max. m³/h | m         | m  | Operating speed | rpm  |       |
| Max. | 18.1            | 48.7      | 39.1      | 69.7      | 54 | Nominal flow    | m³/h | 0     |
|      |                 |           |           |           |    | Nominal head    | m    | 0     |
|      |                 |           |           |           |    | Inlet pressure  | kPa  | 0     |
|      |                 |           |           |           |    | Static head     | m    | 0     |

**Power datas referred to:**

hydr. Performance acceptance acc. To EN ISO 9906 Class 3B

Water, pure [100%] ; 4°C; 1000kg/m³; 1.57mm²/s

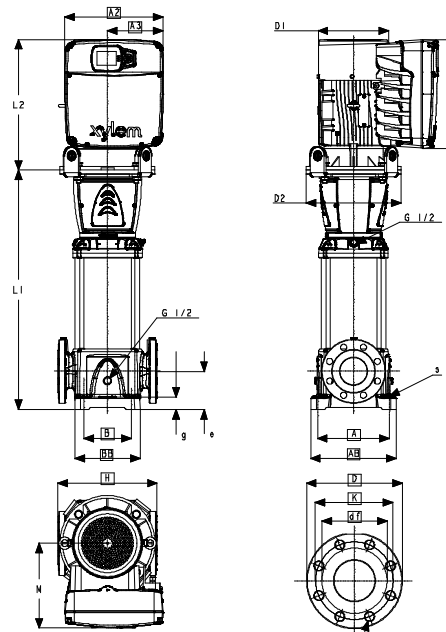


# 33SVX02G075PT04QBE

## Dimensions

Company name  
Contact  
Phone number  
e-mail address

[X] - Hydrovar X+  
EXM132B5/4.075CH2



| SV G |     | EN 1092-1, PN 16 |     |           |     | EN 1092-1, PN 25 |     |           |  |
|------|-----|------------------|-----|-----------|-----|------------------|-----|-----------|--|
| DN   | D   | K                | df  | d1        | D   | K                | df  | d1        |  |
| 65   | 185 | 145              | 118 | N.4 x Ø19 | 185 | 145              | 118 | N.8 x Ø19 |  |
| 80   | 200 | 160              | 132 | N.8 x Ø19 | 200 | 160              | 132 | N.8 x Ø19 |  |
| 100  | 220 | 180              | 156 | N.8 x Ø19 | 235 | 190              | 156 | N.8 x Ø23 |  |
| 125  | 260 | 210              | 184 | N.8 x Ø19 | 280 | 220              | 184 | N.8 x Ø28 |  |

| SV N, P |     | EN 1092-1, PN 16 |     |           |     | EN 1092-1, PN 25 |     |           |  |
|---------|-----|------------------|-----|-----------|-----|------------------|-----|-----------|--|
| DN      | D   | K                | df  | d1        | D   | K                | df  | d1        |  |
| 65      | 185 | 145              | 122 | N.4 x Ø19 | 185 | 145              | 122 | N.8 x Ø19 |  |
| 80      | 200 | 160              | 138 | N.8 x Ø19 | 200 | 160              | 138 | N.8 x Ø19 |  |
| 100     | 220 | 180              | 158 | N.8 x Ø19 | 235 | 190              | 162 | N.8 x Ø23 |  |
| 125     | 260 | 210              | 184 | N.8 x Ø19 | 280 | 220              | 184 | N.8 x Ø28 |  |

| Dimensions [ mm ]   |                 |
|---------------------|-----------------|
| A                   | 240             |
| A1                  | 329             |
| A2                  | 302             |
| A3                  | 175             |
| AB                  | 290             |
| B                   | 170             |
| BB                  | 220             |
| D1                  | 220             |
| D2                  | 300             |
| DN                  | 65              |
| e                   | 105             |
| g                   | 30              |
| H                   | 320             |
| L1                  | 584             |
| L2                  | 391             |
| M                   | 241             |
| s                   | 4xØ15           |
| <b>Weight</b>       |                 |
| <b>Total weight</b> | <b>102.4 kg</b> |

### Dimensions and weight without obligation

|         |                    |            |          |             |          |
|---------|--------------------|------------|----------|-------------|----------|
| Project | Xylect-22265022    | Created by |          | Last update | 5/9/2024 |
| Block   | 33SVX02G075PT04QBE | Created on | 5/9/2024 |             |          |

**33SVX02G075PT04QBE**

**Technical data**

Company name  
Contact  
Phone number  
e-mail address



| REF. | ITEM                   | DESCRIPTION   | DEFAULT           |
|------|------------------------|---|-------------------|
| 1    |                        | Power supply +24 VDC, max. 60mA (total, terminals 1 + 5)                    |                   |
| 2    | Analog Input 1         | Configurable Analog Input 1   | Pressure Sensor 1 |
| 3    |                        | Electronic GND  |                   |
| 4    | Not used               | Internal use - Do not connect   |                   |
| 5    |                        | Power supply +24 VDC, max. 60mA (total, terminals 1 + 5)                    |                   |
| 6    | Analog Input 2         | Configurable Analog Input 2   | Not used          |
| 7    |                        | Electronic GND  |                   |
| 8    | External Start/Stop    | Start/Stop digital input, +24 VDC internal pull-up, 6mA contact current     | -                 |
| 9    |                        | Electronic GND  |                   |
| 10   | External Lack of Water | Low water digital input, +24 VDC internal pull-up, 6mA contact current      | -                 |
| 11   |                        | Electronic GND  |                   |
| 12   | Digital Input 3        | Configurable Digital Input 3, +24 VDC internal pull-up, 6mA contact current | Solo Run          |
| 13   |                        | Electronic GND  |                   |
| 14   | Analog Output          | Configurable Analog Output  | Motor Speed       |
| 15   |                        | Electronic GND  |                   |
| 16   |                        | Power supply +24 VDC, max. 60mA (total, terminals 16 and 19)                |                   |
| 17   | Analog Input 3         | Configurable Analog Input 3   | Not used          |
| 18   |                        | Electronic GND  |                   |
| 19   |                        | Power supply +24 VDC, max. 60mA (total, terminals 16 and 19)                |                   |
| 20   | Analog Input 4         | Configurable Analog Input 4   | Not used          |
| 21   |                        | Electronic GND  |                   |
| 22   | Digital Input 4        | Configurable Digital Input 4, +24 VDC internal pull-up, 6mA contact current | Not used          |
| 23   |                        | Electronic GND  |                   |
| 24   | Digital Input 5        | Configurable Digital Input 5, +24 VDC internal pull-up, 6mA contact current | Not used          |
| 25   |                        | Electronic GND  |                   |
| 26   | 10 VDC supply          | Power supply +10 VDC, max. 3mA  | -                 |
| 27   |                        | Electronic GND  |                   |
| 28   |                        | RS485 port 1 : RS485-1B N (-)   |                   |
| 29   | Communication bus 1    | RS485 port 1 : RS485-1A P (+)   | Multipump         |
| 30   |                        | RS485 port 1 : RS485-COM  |                   |
| 31   |                        | RS485 port 2 : RS485-2B N (-)   |                   |
| 32   | Communication bus 2    | RS485 port 2 : RS485-2A P (+)   | Modbus            |
| 33   |                        | RS485 port 2 : RS485-COM  |                   |
| 34   |                        | RS485 port 1 : RS485-1B N (-)   |                   |
| 35   | Communication bus 1    | RS485 port 1 : RS485-1A P (+)   | Multipump         |
| 36   |                        | RS485 port 1 : RS485-COM  |                   |
| 37   |                        | RS485 port 2 : RS485-2B N (-)   |                   |
| 38   | Communication bus 2    | RS485 port 2 : RS485-2A P (+)   | Modbus            |
| 39   |                        | RS485 port 2 : RS485-COM  |                   |
| 40   |                        | Configurable relay 1: Normally Open   |                   |
| 41   | Relay 1                | Configurable relay 1: Normally Closed                                       | Running           |
| 42   |                        | Configurable relay 1: Common Contact  |                   |
| 43   |                        | Configurable relay 2: Normally Open   |                   |
| 44   | Relay 2                | Configurable relay 2: Normally Closed                                       | Error             |
| 45   |                        | Configurable relay 2: Common Contact  |                   |